

Mi Smart Antibacterial Humidifier User Manual	· 01
Manual de usuario de Mi Smart Antibacterial Humidifier	· 13
Руководство пользователя Умный антибактериальный увлажнитель воздуха Mi	· 25
Manuel d'utilisation de Mi Smart Antibacterial Humidifier	· 36
Manuale utente di Mi Smart Antibacterial Humidifier	· 48
Mi Smart-Antibakterieller-Luftbefeuchter Benutzerhandbuch	· 60
Antybakteryjny nawilżacz powietrza Mi Smart instrukcja obsługi	· 72
دليل المستخدم لمرطب الهواء الذكي من Mi المكافح للبكتيريا	· 84



- This appliance can be used by children aged from 8 years and above and persons with reduced physical, sensory or mental capabilities or lack of experience and knowledge if they have been given supervision or instruction concerning use of the appliance in a safe way and understand the hazards involved. Children shall not play with the appliance. Cleaning and user maintenance shall not be made by children without supervision.
- This appliance is not intended for use by persons (including children) with reduced physical, sensory or mental capabilities, or lack of experience and knowledge, unless they have been given supervision or instruction concerning use of the appliance by a person responsible for their safety.
- Children should be supervised to ensure that they do not play with the appliance.
- If the supply cord is damaged, it must be replaced by the manufacturer, its service agent or qualified persons in order to avoid a hazard.
- Be aware that high humidity levels may encourage the growth of biological organisms in the environment.
- Do not permit the area around the humidifier to become damp or wet. If dampness occurs, turn the output of the humidifier down. If the humidifier output volume cannot be turned down, use the humidifier intermittently. Do not allow absorbent materials, such as carpeting, curtains, drapes, or tablecloths, to become damp.

- Unplug the appliance during filling and cleaning.
- Never leave water in the reservoir when the appliance is not in use.
- Empty and clean the humidifier before storage. Clean the humidifier before next use.
- **WARNING:** Micro-organisms that may be present in the water or in the environment where the appliance is used or stored, can grow in the water reservoir and be blown in the air causing very serious health risks when the water is not renewed and the tank is not cleaned properly every 3 days.
- Care should be taken when using the appliance due to the emission of hot water vapour.
- Clean the water tank every 3 days.
- This appliance contains a UV emitter. Do not stare at the light source.
- Under normal use of condition, this equipment should be kept a separation distance of at least 20cm between the antenna and the body of the user.



All products bearing this symbol are waste electrical and electronic equipment (WEEE as in directive 2012/19/EU) which should not be mixed with unsorted household waste. Instead, you should protect human health and the environment by handing over your waste equipment to a designated collection point for the recycling of waste electrical and electronic equipment, appointed by the government or local authorities. Correct disposal and recycling will help prevent potential negative consequences to the environment and human health. Please contact the installer or local authorities for more information about the location as well as terms and conditions of such collection points.

C E Hereby, Guangdong Deerma Technology Co., Ltd. declares that the radio equipment type ZNJSQ01DEM is in compliance with Directive 2014/53/EU. The full text of the EU declaration of conformity is available at the following internet address:
<http://www.mi.com/global/service/support/declaration.html>

Safety Instructions

- Do not plug in or unplug the humidifier with wet hands so as to avoid the risk of electric shocks.
- Do not attempt to disassemble, repair, or modify the humidifier by yourself.
- Do not touch the vaporizer once the humidifier is turned on. Otherwise, you may feel a sting.
- Do not tangle, damage, or place heavy objects on the power cord so as to avoid the risk of electric shocks, short circuits, or fire.
- Immediately unplug the humidifier if there is an error during use, and contact after-sales service.
- To avoid safety hazards, the power cord must be replaced by the manufacturer or the after-sales department if it is damaged or broken.
- During the working of the humidifier, do not remove the water tank from the base, and never touch the water conduits or any components inside the reservoir.
- This humidifier is intended for indoor use only.
- Unplug the humidifier during thunderstorms or when you do not plan to use it for an extended period of time.
- Do not turn the humidifier upside down when it is working or there is water in the tank so as to avoid damage to the internal electronic components.
- This humidifier is not intended for use by people (including children) with reduced physical, sensory, or mental capabilities, or a lack of experience and knowledge, unless they are under the supervision of or have been given instructions concerning the use of the humidifier by a person responsible for their safety.



- Clean the water tank every 3 days.

Illustrations of product, accessories, and user interface in the user manual are for reference purposes only. Actual product and functions may vary due to product enhancements.

Product Overview

Operating Process:

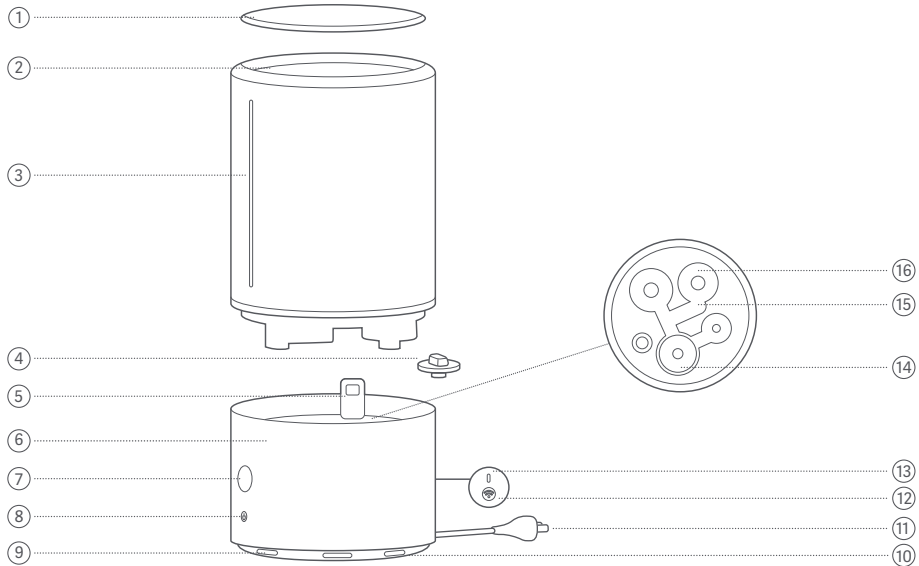
With high-frequency ultrasonic waves of 1.7 million vibrations per second, the humidifier vaporizes water into ultra-fine particles of 1–5 μm (micron), which will then be diffused into the air via a pneumatic unit. The humidifier can help to maintain an ideal humidity in the room and prevent the generation of static electricity.

Features:

- Trendy appearance and exquisite craftsmanship
- Microcomputer controlled, safe, and accurate
- Constant humidity, mist adjustment, and UV light sterilization
- Smart Wi-Fi connection and simple to use
- Easy-to-fill and easy-to-remove water tank

Humidifier Status	Mode Indicator	Wi-Fi Indicator
Standby	---	---
Speed mode	White quarters	---
Constant humidity mode	Full white circle	---
Out of water or the water tank is not installed	Full red circle	---
Awaiting Wi-Fi connection...	---	Blinking white
Wi-Fi connected successfully	---	White

Product Overview



- 1 Water Tank Lid
- 2 Mist Outlet
- 3 Water Tank
- 4 UV Light Cover

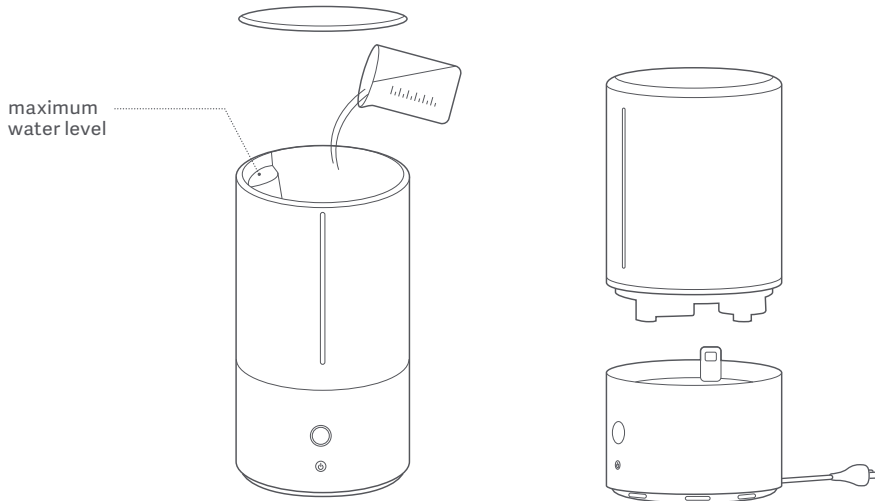
- 5 Air Outlet
- 6 Base
- 7 Mode Button/Indicator
- 8 On/Off Button

- 9 Air Inlet
- 10 Silicone Base
- 11 Power Cord
- 12 Wi-Fi Button

- 13 Wi-Fi Indicator
- 14 Vaporizer
- 15 Water Conduits
- 16 UV Light

Installation

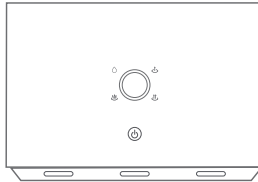
1. Remove the water tank lid, and add water up to the maximum water level mark.
2. Place the water tank back onto the base.
3. You can start using the humidifier once the installation is completed.



Notes:

- The humidifier must be placed on a level surface.
- Add a suitable amount of clean tap water or distilled water, and make sure not to exceed the maximum water level mark.

How to Use



1. Before plugging in the humidifier, ensure its operating voltage matches the voltage of the power outlet. The humidifier will beep once it turns on, then enters standby mode with the Wi-Fi indicator blinking.
2. Turn on the humidifier: Press the on/off button, the humidifier will beep and start humidifying. The default speed mode is low, with 1/4 of the circular indicator lighting up. The humidifier will remember the last used mode when it is turned off, and start in that mode when it is turned on.
3. Turn off the humidifier: Press the on/off button, the humidifier will beep and turn off. Then its indicator and water tank light will go off.
4. Switch the mode: Press the mode button to cycle through the mode of low speed, medium speed, high speed, and constant humidity mode, with 1/4, 1/2, 3/4, and the complete of the corresponding circular indicator lighting up.
Note: By default, the humidifier will maintain a relative humidity of 60% while in constant humidity mode.
5. Wi-Fi button: Press and hold the Wi-Fi button for three seconds when the humidifier is working. The humidifier will beep twice and the Wi-Fi indicator will start blinking white to indicate it is awaiting a connection. Once the humidifier successfully connects with your phone, the Wi-Fi indicator will turn white. You can press the Wi-Fi button to turn on or off the Wi-Fi function and the Wi-Fi indicator. When the Wi-Fi function is disabled, the network between the humidifier and your phone is disconnected.
6. Light control: To turn on or off the water tank light and the mode indicator, press and hold the mode button for three seconds when the humidifier is working.
Note: The humidifier is working normally if the water tank light is off. Touch sounds can be enabled/disabled via the Mi Home/Xiaomi Home app.
7. Dry-run protection: If the water tank is out of water or removed from the base, the humidifier will beep three times. Then the humidifier enters standby mode, and the circular indicator will turn red. By refilling the water or replacing the water tank back onto the base, the humidifier can resume working.

Daily Care & Maintenance

1. Always unplug the humidifier before cleaning it.
2. The water conduits can be cleaned directly with a clean, soft, damp cloth.
3. It is recommended to clean the water conduits and the vaporizer once a week. If there is limescale in the conduits, you can pour some citric acid into the conduits to dissolve it. Then use cotton swabs or a soft brush to remove the limescale and rinse the conduits with water afterward.

Note: Too much dirt or dust in the water conduits will cause the humidifier in low humidity. If this happens, please clean the conduits to resume the humidifier working normally.

Precautions

Transportation

- Turn off and unplug the humidifier before moving it.
- When transporting or moving the humidifier, please empty the water tank first.

Installation

- To avoid electric shocks, fire, personal injury, or other damage, make sure the humidifier is properly installed according to the instructions.
- Do not plug the humidifier into a power outlet if it is not completely assembled.
- Do not disassemble the humidifier.

Placement

- To avoid damage to the water tank due to sudden temperature changes, please leave the humidifier at room temperature for 30 minutes before using it.
- Place the humidifier on a flat, level surface.
- Do not place the humidifier directly on wooden floors so as to prevent damage to the floor caused by moisture.
- To prevent damage caused by moisture, do not place the humidifier within a distance of 2 meters from furniture and appliances.
- Keep the humidifier away from heat sources and avoid exposing it to direct sunlight.

Precautions

- Do not place the water tank directly on a table or floor. Empty it before placing it separately.

Power Cord

To avoid fire, electric shocks, or other damage, use the power cord and power outlet as instructed below:

- The power cord must be plugged into a suitable power outlet.
- Do not pull the power cord.
- Always unplug the humidifier before carrying out any maintenance or moving it.

Water Tank

- Do not add essential oil, perfume, or disinfectant into the water tank to avoid causing damage to the product or personal injury.
- Do not add any water over 40°C into the water tank and water conduits so as to avoid damage to the humidifier.
- Do not allow water to flow into the base via the air outlet. If there is water on the base, wipe it off with a dry cloth so as to avoid damage to the humidifier.
- Do not use the humidifier in environments where the temperature is below 0°C, as the water in the tank may freeze and cause damage to the humidifier. Always empty the water from the water tank and the water conduits in such harsh environments.
- Do not place any metal objects, nor add chemicals or detergent into the water conduits. Otherwise, it will cause unhealthy vaporization.
- Always turn off and unplug the humidifier before pouring out the water from the water conduits.

Adding Water

- Unplug the humidifier when adding water or cleaning it.
- Do not add water via the mist outlet and the air outlet.
- Do not exceed the maximum water level mark when adding water.

During Use

- Once the humidifier is turned on, the UV light is on and the sterilization function is enabled. Once the humidifier is turned off, the UV light is off and the sterilization function is disabled.
- The UV light is equipped with a cover so as to prevent UV light leakage during use. The cover can be removed for cleaning.
- Immediately stop using the humidifier if it makes unusual sounds, gives off bad odors, or overheats.

Precautions

- Keep hair and fabrics away from the humidifier so as to prevent them from falling into or blocking the inlets and outlets.
- Do not sit on, lean on or tilt the humidifier.
- When using the humidifier in conjunction with gas-fueled appliances including gas stoves, gas heaters, make sure there is sufficient ventilation to avoid carbon monoxide poisoning.
- Do not move the humidifier during use. Turn off and unplug the humidifier before moving it, cleaning it, or adding water.

Usage Restrictions

Do not use the humidifier in the following circumstances so as to avoid electric shocks, fire, or other damage:

- Always place the humidifier on a level surface. Otherwise, the water level reading may be incorrect or the water tank may overflow.
- The voltage of the power outlet must be the same as the voltage of this humidifier. Do not use the humidifier if the voltages do not match and please contact your dealer.
- Only use the humidifier in normal room temperatures (5°C to 40°C).

Cleaning

- Avoid getting water into the humidifier while cleaning.

Specifications

Name: Mi Smart Antibacterial Humidifier
Model: ZNJSQ01DEM
Rated Input: 25 W
Rated Voltage: 220-240 V~
Rated Frequency: 50/60 Hz
Water Tank Capacity: 4.5 L
RF Specification: 2.4 G Wi-Fi
Maximum Output Power: <20 dBm

Net Weight: 1.9 kg
Noise Emission: ≤38 dB
Max. Humidifying Capacity: 300 mL/h
Item Dimensions: 190 × 190 × 353 mm
Materials: ABS, PC & PA
Wireless Connectivity: Wi-Fi IEEE 802.11 b/g/n 2.4 GHz
Working Frequency: 2412-2472 MHz
CID: WFA97113

Connect with Mi Home/Xiaomi Home App

This product works with Mi Home/Xiaomi Home app *. Control your device, and interact it and other smart home devices with Mi Home/Xiaomi Home app.

Scan the QR code to download and install the app. You will be directed to the connection setup page if the app is installed already. Or search "Mi Home/Xiaomi Home" in the app store to download and install it. Open Mi Home/Xiaomi Home app, tap "+" on the upper right, and then follow prompts to add your device.

* The app is referred to as Xiaomi Home app in Europe (except for Russia). The name of the app displayed on your device should be taken as the default.



Note: The version of the app might have been updated, please follow the instructions based on the current app version.

For detailed e-manual, please go to www.mi.com/global/service/userguide



- Este dispositivo solo puede ser utilizado por niños de 8 años o más, y aquellas personas con capacidades psíquicas, sensoriales o mentales reducidas, o que carezcan de la experiencia y conocimientos necesarios, si han recibido supervisión o instrucciones en relación con el uso del aparato de forma segura y comprenden los riesgos que comporta. Los niños no deberán jugar con el dispositivo. La limpieza y mantenimiento del usuario no deberá efectuarse por niños sin supervisión.
- Este dispositivo no está diseñado para personas (incluidos niños) con capacidades físicas, sensoriales o mentales reducidas, o con falta de experiencia y conocimientos, a menos que estén bajo supervisión o que la persona responsable de su seguridad les haya proporcionado instrucciones sobre el uso del producto.
- Los niños deberán estar bajo supervisión para asegurarse de que no jueguen con el aparato.
- Si el cable de alimentación está dañado, debe ser reemplazado por el fabricante, su agente de servicio o personas con una cualificación similar para evitar riesgos.
- Tenga en cuenta que niveles de humedad elevados podrían potenciar la aparición de organismos biológicos en el entorno.
- No permita que la zona alrededor del humidificador este húmeda o mojada. De ser así, reduzca la potencia de salida del humidificador. Si el volumen de salida del humidificador no puede modificarse, utilícelo de forma intermitente. No permita que se humedezcan materiales absorbentes como alfombras, cortinas,

- paños o manteles se empapen.
- Desenchufe el dispositivo durante su llenado y limpieza.
 - Nunca deje agua en la reserva cuando el dispositivo no esté en uso.
 - Vacíe y limpie el humidificador antes de su almacenaje. Limpie el humidificador antes de su próximo uso.
 - **ADVERTENCIA:** Los microorganismos que pudieran estar presentes en el agua o en el entorno en el que se utilice el dispositivo o se almacene pueden crecer en la reserva de agua y ser liberados al aire, causando complicaciones graves de salud cuando el agua no se renueva y el tanque no se limpia correctamente cada 3 días.
 - Deberá tenerse cuidado al usar el dispositivo debido a la emisión de vapor de agua caliente.
 - Limpie el tanque de agua cada 3 días.
 - El dispositivo contiene un emisor de rayos UV. No mire fijamente a la fuente de luz.
 - En condiciones normales de uso, este equipo debe mantenerse a una distancia de, al menos, 20 cm entre la antena y el cuerpo del usuario.



Todos los productos que llevan este símbolo son residuos de aparatos eléctricos y electrónicos (RAEE según la directiva 2012/19/UE) que no deben mezclarse con



residuos domésticos sin clasificar. En su lugar,

debe proteger la salud humana y el medio ambiente entregando sus equipos de desecho a un punto de recogida para el reciclaje de residuos de equipos eléctricos y electrónicos, designado por el gobierno o las autoridades locales. La eliminación y el reciclado correctos ayudarán a evitar posibles consecuencias negativas para el medio ambiente y la salud humana. Póngase en contacto con el instalador o con las autoridades locales para obtener más información sobre la ubicación y las condiciones de dichos puntos de recogida.



Por la presente, Guangdong Deerma Technology Co., Ltd. declara que el tipo de equipo radioeléctrico ZNJSQ01DEM cumple con la Directiva 2014/53/UE.

Encontrará el texto completo de la declaración de conformidad de la UE en esta dirección de Internet:

<http://www.mi.com/global/service/support/declaration.html>

Instrucciones de Seguridad

- No enchufe o desenchufe el humidificador con las manos mojadas para evitar el riesgo de descargas eléctricas.
- No intente usted mismo(a) desmontar, reparar o modificar el humidificador.
- No toque el vaporizador una vez que el humidificador esté encendido. De lo contrario, puede sentir un toque eléctrico.
- No enrede, dañe o coloque objetos pesados sobre el cable de alimentación para evitar el riesgo de descargas eléctricas, cortocircuitos o incendios.
- Desenchufe inmediatamente el humidificador si hay un desperfecto durante su uso y póngase en contacto con el servicio posventa.
- Para evitar riesgos de seguridad, si el cable de alimentación está dañado o roto debe ser reemplazado por el fabricante o el departamento de postventa.
- Durante el funcionamiento del humidificador, no retire el tanque de agua de su base, y nunca toque los conductos de agua ni ningún componente dentro del depósito.
- Este producto es exclusivo para uso en interiores.
- Desenchufe el humidificador durante tormentas eléctricas o cuando no planee usarlo durante un período de tiempo prolongado.
- No ponga el humidificador boca abajo cuando esté funcionando o cuando haya agua en el tanque para evitar daños en los componentes electrónicos internos.
- Este dispositivo no está diseñado para personas (incluidos niños/as) con capacidad física, sensorial o mental reducida, o con falta de experiencia y conocimientos, a menos que estén bajo supervisión o que la persona responsable de su seguridad les haya proporcionado instrucciones sobre el uso del producto.



- Limpie el tanque de agua cada 3 días.

Las ilustraciones de producto, accesorios e interfaz de usuario(a) en el manual de usuario son solo como referencia. El producto y las funciones actuales pueden variar debido a mejoras en el producto.

Descripción del Producto

Proceso Operativo:

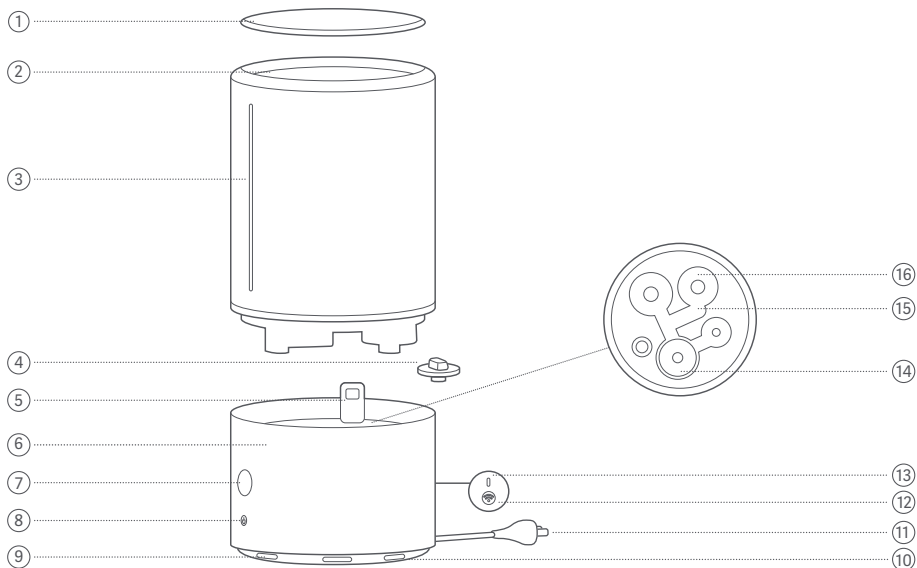
Con ondas ultrasónicas de alta frecuencia de 1,7 millones de vibraciones por segundo, el humidificador vaporiza el agua en partículas ultrafinas de una a cinco micras (1-5 μm), que luego se difundirán en el aire a través de una unidad neumática. El humidificador puede ayudar a mantener una humedad ideal en la habitación y evitar la generación de electricidad estática.

Características:

- Aspecto moderno y habilidad técnica exquisita
- Microcomputadora controlada, segura y precisa
- Humedad constante, ajuste de vapor y esterilización con luz ultravioleta
- Conexión WiFi rápida y fácil de usar
- Tanque de agua fácil de llenar y de quitar

Estado del Humidificador	Indicador de modo	Indicador del WiFi
Espera	---	---
Modo de velocidad	Cuartos blancos	---
Modo de humedad constante	Círculo blanco completo	---
El tanque de agua no está instalado o está sin agua	Círculo rojo completo	---
Esperando conexión delWiFi...	---	Parpadeo rápido blanco
WiFi conectado correctamente	---	Blanco

Descripción del Producto



1 Tapa del Tanque de Agua

2 Salida de Vapor

3 Depósito de agua

4 Cubierta de Luz Ultravioleta

5 Salida de aire

6 Base

7 Botón/Indicador de modo

8 Botón de encendido/
apagado

9 Entrada de aire

10 Base de silicona

11 Cable de alimentación

12 Botón del WiFi

13 Indicador del WiFi

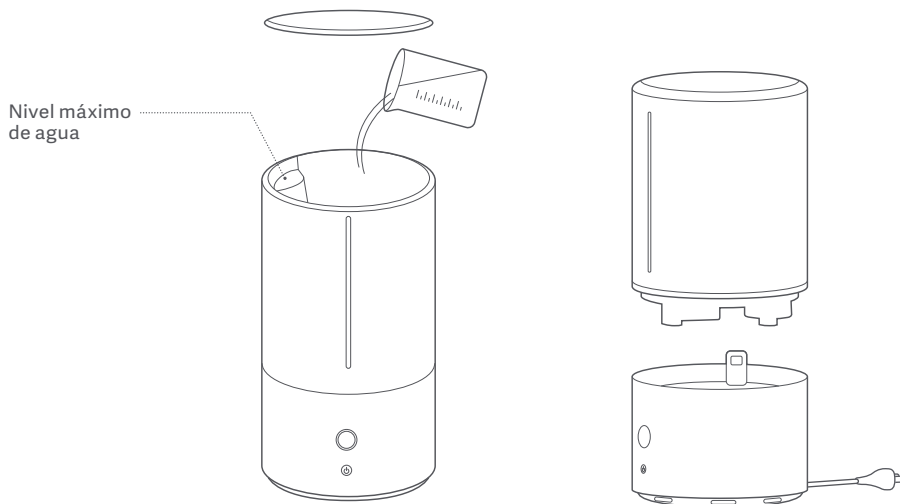
14 Vaporizador

15 Conductos de Agua

16 Luz ultravioleta

Instalación

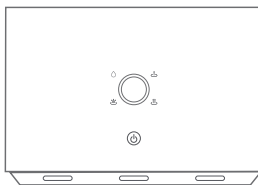
1. Retire la tapa del tanque de agua y agregue agua hasta la marca de nivel máximo.
2. Coloque el tanque de agua nuevamente en la base.
3. Usted puede comenzar a usar el humidificador una vez que se complete la instalación.



Notes:

- El humidificador se debe colocar en una superficie nivelada.
- Agregue una cantidad adecuada de agua del grifo o agua destilada, y asegúrese de no exceder la marca de nivel máximo de agua.

Modo de uso



1. Antes de enchufar el humidificador, asegúrese de que su voltaje de funcionamiento coincida con el voltaje de la toma de corriente. El humidificador emitirá un pitido una vez que se encienda y luego tornará al modo de espera con el indicador de WiFi parpadeando.
 2. Encienda el humidificador: Presione el botón de encendido/apagado, el humidificador emitirá un pitido y comenzará a humedecerse. El modo de velocidad predeterminado es bajo, con 1/4 del indicador circular iluminado. El humidificador recordará el último modo utilizado cuando se apague, y se iniciará en ese modo cuando se encienda.
 3. Apague el humidificador: Presione el botón de encendido/apagado, el humidificador emitirá un pitido y se apagará. Luego se apagará su indicador y la luz del tanque de agua.
 4. Cambio de modo: Presione el botón de modo para pasar por los modos de velocidad baja, velocidad media, velocidad alta y modo de humedad constante, con 1/4, 1/2, 3/4, y la completa iluminación del indicador circular correspondiente.
- Nota: De forma predeterminada, el humidificador mantendrá una humedad relativa del 60 % mientras esté en el modo de humedad constante.
5. Botón Wi-Fi: Mantenga pulsado el botón Wi-Fi durante tres segundos cuando el humidificador esté funcionando. El humidificador emitirá dos pitidos y el indicador de Wi-Fi comenzará a parpadear en blanco para indicar que está esperando una conexión. Una vez que el humidificador se conecte con éxito con el teléfono, el indicador de Wi-Fi se pondrá blanco. Puedes pulsar el botón de Wi-Fi para activar o desactivar la función de Wi-Fi y el indicador de Wi-Fi. Cuando la función Wi-Fi está desactivada, la red entre el humidificador y el teléfono se desconecta.
 6. Control de la luz: Para encender o apagar la luz del depósito de agua y el indicador de modo, mantenga pulsado el botón de modo durante tres segundos cuando el humidificador esté funcionando.
- Nota: El humidificador funciona normalmente si la luz del tanque de agua está apagada. Los sonidos táctiles pueden activarse/desactivarse a través de la aplicación Mi Home/Xiaomi Home.
7. Protección contra funcionamiento en seco: Si el tanque de agua está vacío o se retira de la base, el humidificador emitirá tres pitidos. Luego el humidificador entrará en modo de espera y el indicador circular se pondrá rojo. Al volver a llenar el agua o al colocar el tanque de agua de nuevo en la base, el humidificador puede volver a funcionar.

Cuidado Diario y Mantenimiento

1. Desenchufe siempre el humidificador antes de limpiarlo.
2. Los conductos de agua se pueden limpiar directamente con un paño limpio, suave y húmedo.
3. Se recomienda limpiar los conductos de agua y el vaporizador una vez por semana. Si hay cal en los conductos, puede verter algo de ácido cítrico en los conductos para disolverlo. Luego use un bastoncillo de algodón o un cepillo suave para eliminar la cal y enjuague los conductos con agua.

Nota: Demasiada suciedad o polvo en los conductos de agua hará que el humidificador produzca poca humedad. Si esto sucede, limpie los conductos para reanudar el funcionamiento normal del humidificador.

Precauciones

Transporte

- Apague y desenchufe el humidificador antes de moverlo.
- Cuando transporte o mueva el humidificador, vacíe primero el tanque de agua.

Instalación

- Asegúrese de que el humidificador esté instalado de acuerdo con las instrucciones, para evitar descargas eléctricas, incendios, lesiones personales u otros daños.
- No enchufe el humidificador a una toma de corriente si no está completamente montado.
- No desmonte el humidificador.

Colocación

- Para evitar daños en el tanque de agua debido a cambios bruscos de temperatura, deje el humidificador a temperatura ambiente durante 30 minutos antes de usarlo.
- Coloque el humidificador en una superficie plana y nivelada.
- No coloque el humidificador directamente sobre pisos de madera para evitar dañarlos por causa de la humedad.
- Para evitar daños causados por la humedad, mantenga el humidificador a una distancia de dos metros de muebles y electrodomésticos.

Precauciones

- Mantenga el humidificador alejado de fuentes de calor y evite exponerlo a luz solar directa.
- No coloque el tanque de agua directamente sobre una mesa o piso. Vacíelo antes de colocarlo por separado.

Cable de alimentación

Con el fin de evitar incendios, descargas eléctricas u otros daños, use el cable de alimentación y las tomas eléctricas como se indica a continuación:

- El cable de alimentación debe estar enchufado a una toma de corriente adecuada.
- No tire del cable de alimentación.
- Desenchufe siempre el humidificador antes de moverlo o realizar cualquier mantenimiento.

Depósito de agua

- No agregue aceites esenciales, perfumes o desinfectante al tanque de agua para evitar causar daños al producto o lesiones personales.
- No agregue agua a más de 40 °C en el tanque de agua y en los conductos de agua para evitar daños al humidificador.
- No permita que el agua fluya hacia la base a través de la salida de aire. Si hay agua en la base, límpiela con un paño seco para evitar daños al humidificador.
- No utilice el humidificador en entornos donde la temperatura sea inferior a 0 °C, ya que el agua del tanque puede congelarse y dañar el humidificador. Siempre vacíe el tanque y los conductos de agua en entornos tan rigurosos.
- No coloque objetos metálicos, ni agregue productos químicos o detergentes en los conductos de agua. De lo contrario, provocará una vaporización poco saludable.
- Antes de verter el agua de los conductos de agua, siempre apague y desenchufe el humidificador.

Agregar agua

- Desenchufe el humidificador cuando lo limpie o le agregue agua.
- No agregue agua a través de la salida de vapor y la salida de aire.
- No exceda la marca de nivel máximo al agregar agua.

Durante el uso

- Una vez que se enciende el humidificador, se enciende la luz ultravioleta y se activa la función de esterilización. Una vez que se apaga el humidificador, se apaga la luz ultravioleta y se desactiva la función de esterilización.

Precauciones

- La luz ultravioleta está equipada con una cubierta para evitar fugas de esa luz durante el uso. La cubierta se puede quitar para limpiarla.
- Deje inmediatamente de usar el humidificador si este emite sonidos inusuales, emite malos olores o se sobrecalienta.
- Mantenga cabello y telas alejados del humidificador para evitar que estos bloqueen las entradas y salidas.
- No se siente, recueste ni incline sobre el humidificador.
- Cuando utilice el humidificador junto con electrodomésticos alimentados con gas, como estufas y calentadores, asegúrese de que haya suficiente ventilación para evitar la intoxicación por monóxido de carbono.
- No mueva el humidificador durante su uso. Apague y desenchufe el humidificador antes de moverlo, limpiarlo o agregar agua.

Restricciones de uso

No use el humidificador en las siguientes circunstancias, para evitar descargas eléctricas, incendios u otros daños:

- Coloque el humidificador en una superficie nivelada. De lo contrario, la lectura del nivel de agua puede ser incorrecta o el tanque de agua puede desbordarse.
- El voltaje de la toma de corriente debe ser el mismo que el voltaje de este humidificador. No use el humidificador si los voltajes no coinciden y comuníquese con su distribuidor.
- Utilice el humidificador solo a temperatura ambiente normal (5 °C a 40 °C).

Limpieza

- Evite que entre agua en el humidificador mientras lo limpia.

Especificaciones

Nombre: Mi Smart Antibacterial Humidifier

Modelo: ZNJSQ01DEM

Introducción nominal: 25 W

Tensión nominal: 220-240 V~

Frecuencia nominal: 50/60 Hz

Capacidad del tanque de agua: 4.5 L

Especificación RF: 2.4 G Wi-Fi

Potencia máxima de salida: <20 dBm

Peso neto: 1.9 kg

Emisión de Ruido: ≤38 dB

Max. Capacidad de Humidificación: 300 mL/h

Dimensiones del producto: 190 × 190 × 353 mm

Materials: ABS, PC & PA

Conexión inalámbrica: Wi-Fi IEEE 802.11 b/g/n 2.4 GHz

Frecuencia de Funcionamiento: 2412-2472 MHz

CID: WFA97113

Conectar con la aplicación Mi Home/Xiaomi Home

Este producto funciona con la aplicación Mi Home/Xiaomi Home*. Controla tu dispositivo e interactúa con él y otros dispositivos inteligentes del hogar con la aplicación Mi Home/Xiaomi Home.

Escanee el código QR para descargar e instalar la aplicación. Se le dirigirá a la página de configuración de conexión si la aplicación ya está instalada. O busque "Mi Home/Xiaomi Home" en la App Store para descargarla e instalarla. Abra la aplicación Mi Home/Xiaomi Home, pulse "+" en la parte superior derecha y, a continuación, siga las instrucciones para añadir el dispositivo.

* La aplicación se conoce como Xiaomi Home en Europa (excepto en Rusia). El nombre de la aplicación que aparece en su dispositivo debe ser tomado como el predeterminado.



Nota: La versión de la aplicación puede haber sido actualizada, siga las instrucciones basadas en la versión actual de la aplicación.

Para un manual electrónico detallado, vaya a www.mi.com/global/service/userguide



- Данное устройство может использоваться детьми в возрасте от 8 лет и старше, а также лицами с ограниченными физическими, сенсорными или умственными способностями или недостатком опыта и знаний, если им дали надзор или инструкции относительно безопасного использования устройства и понимания опасностей. Дети не должны играть с прибором. Чистка и обслуживание пользователя не должны производиться детьми без присмотра.
- Этот прибор не должны использовать лица (взрослые или дети) с ограниченными физическими, сенсорными или умственными возможностями и лица, не обладающие соответствующим опытом и знаниями, если они не находятся под присмотром или руководством человека, ответственного за их безопасность.
- Не разрешайте детям играть с прибором.
- Если шнур питания повреждён, он должен быть заменён производителем, его сервисным агентом или квалифицированным персоналом во избежание опасности.
- Помните, что высокий уровень влажности может способствовать росту биологических организмов в окружающей среде.
- Не допускайте, чтобы область вокруг увлажнителя становилась влажной или мокрой. При возникновении сырости выключите выход увлажнителя. Если выходную мощность увлажнителя нельзя уменьшить, используйте увлажнитель периодически. Не допускайте увлажнения впитывающих материалов, таких как

- ковровые покрытия, шторы, портьеры или скатерти.
- Отключайте прибор во время наполнения и очистки.
 - Никогда не оставляйте воду в резервуаре, если прибор не используется.
 - Опорожните и очистите увлажнитель перед хранением. Очистите увлажнитель перед следующим использованием.
 - **ПРЕДУПРЕЖДЕНИЕ:** Микроорганизмы, которые могут присутствовать в воде или в окружающей среде, где прибор используется или хранится, могут размножаться в резервуаре для воды и выдуться в воздух, создавая очень серьёзные риски для здоровья, если вода не обновляется и резервуар не очищается должным образом каждые 3 дня.
 - Следует соблюдать осторожность при использовании прибора из-за выделения водяного пара
 - Чистите резервуар для воды каждые 3 дня.
 - Этот прибор содержит УФ-излучатель. Не смотрите на источник света.
 - При обычных условиях использования между антенной этого оборудования и телом пользователя должно сохраняться расстояние не менее 20 см.

EAC

Инструкция по технике безопасности

- Не подключайте и не отключайте увлажнитель влажными руками, чтобы избежать удара электрическим током.
- Не пытайтесь самостоятельно разбирать, ремонтировать или модифицировать увлажнитель воздуха.
- Не прикасайтесь к испарителю, когда увлажнитель включён. В противном случае вы можете почувствовать боль.
- Не запутывайте, не повреждайте и не кладите тяжёлые предметы на шнур питания во избежание поражения электрическим током, короткого замыкания или возгорания.
- Сразу же отключите увлажнитель, если во время использования произошла ошибка, и обратитесь в сервисную службу.
- Во избежание угрозы безопасности шнур питания должен быть заменён производителем или отделом послепродажного обслуживания, если он повреждён или сломан.
- Во время работы увлажнителя не снимайте резервуар для воды с основания и никогда не прикасайтесь к трубкам для воды или любым компонентам внутри резервуара.
- Этот увлажнитель предназначен для использования только в помещении.
- Отключайте увлажнитель во время грозы или когда вы не планируете использовать его в течение долгого времени.
- Не переворачивайте увлажнитель вверх дном, когда он работает или в баке есть вода, чтобы не повредить внутренние электронные компоненты.
- Этот увлажнитель не должны использовать лица (взрослые или дети) с ограниченными физическими, сенсорными или умственными возможностями, а также лица, не обладающие соответствующим опытом и знаниями, если они не находятся под присмотром или руководством человека, ответственного за их безопасность.



-Чистите резервуар для воды каждые 3 дня.

Иллюстрации изделия, аксессуаров и пользовательского интерфейса в руководстве пользователя представлены исключительно в ознакомительных целях. Фактические характеристики прибора и его функции могут отличаться в связи с улучшениями продукта.

Обзор продукта

Рабочий процесс:

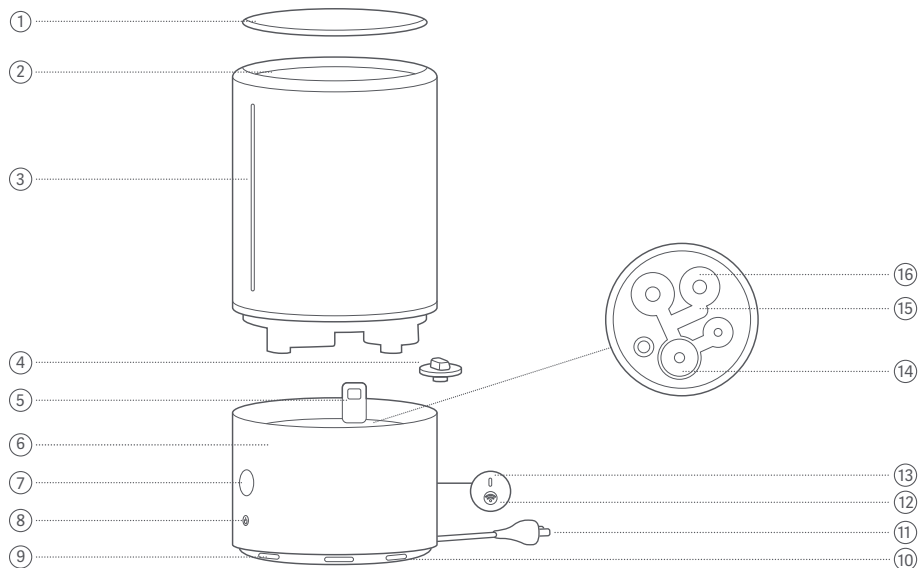
С высокочастотными ультразвуковыми волнами 1,7 миллиона колебаний в секунду, увлажнитель испаряет воду в ультратонкие частицы размером 1–5 мкм (микрон), которые затем диффундируют в воздух через пневматический блок. Увлажнитель может помочь поддерживать идеальную влажность в помещении и предотвратить образование статического электричества.

Характеристики:

- Модный внешний вид и изысканное мастерство исполнения
- Микрокомпьютер контролируемый, безопасный и точный
- Постоянная влажность, регулировка тумана и стерилизация ультрафиолетом
- Подключение Smart Wi-Fi и простота в использовании
- Легко заполняемый и легко снимаемый резервуар для воды

Состояние увлажнителя	Кнопка переключения индикатор	Индикатор Wi-Fi
Режим ожидания	---	---
Скоростной режим	Белые четверти	---
Режим постоянной влажности	Полный белый круг	---
Без воды или резервуар для воды не установлен	Полный красный круг	---
Ожидает подключения к Wi-Fi...	---	Мигающий белый
Wi-Fi успешно подключён	---	Белый

Обзор продукта



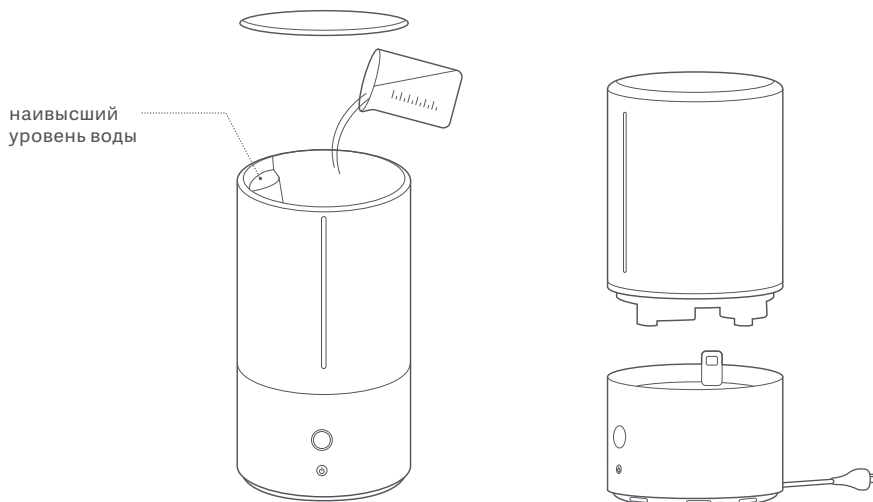
- 1 Крышка резервуара для воды
- 2 Отверстие для тумана
- 3 Резервуар для воды
- 4 Крышка ультрафиолетового света
- 5 Воздуховыпускное отверстие

- 6 Подставка электропитания
- 7 Кнопка переключения режимов/индикатор
- 8 Кнопка Вкл./Выкл.
- 9 Воздухозаборное отверстие
- 10 Силиконовое днище

- 11 Шнур электропитания
- 12 Кнопка Wi-Fi
- 13 Индикатор Wi-Fi
- 14 Испаритель
- 15 Водоводы
- 16 Индикатор ультрафиолета

Установка

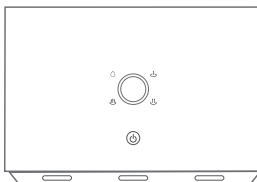
1. Снимите крышку резервуара для воды и долейте воды до отметки максимального уровня воды.
2. Установите резервуар для воды обратно на основание.
3. Начните использовать увлажнитель после завершения установки.



Примечания:

- Увлажнитель должен находиться на ровной поверхности.
- Добавьте нужное количество чистой водопроводной воды или дистиллированной воды и следите за тем, чтобы не превышать отметку максимального уровня воды.

Инструкция



1. Перед подключением увлажнителя убедитесь, что его рабочее напряжение соответствует напряжению розетки. После включения увлажнитель подаст звуковой сигнал, а затем перейдет в режим ожидания, а индикатор Wi-Fi мигает.
 2. Включить увлажнитель воздуха: Нажмите кнопку вкл./выкл., увлажнитель издаст звуковой сигнал и начнет увлажнение. Режим скорости по умолчанию – низкий, при нем загорается 1/4 часть кругового индикатора. Увлажнитель запомнит последний используемый режим при его выключении, и начнет работу с данного режима при включении.
 3. Выключить увлажнитель воздуха: Нажмите кнопку вкл./выкл., увлажнитель издаст звуковой сигнал и выключится. Затем отключится его индикатор и подсветка резервуара для воды.
 4. Переключить режим: Нажмите кнопку режима, чтобы переключаться между режимами низкой, средней, высокой скорости и режимом постоянной влажности, при этом загораются 1/4, 1/2, 3/4 и все соответствующие им части кругового индикатора.
- Примечание. По умолчанию увлажнитель будет поддерживать относительную влажность 60 % в режиме постоянной влажности.
5. Кнопка Wi-Fi: Нажмите и удерживайте кнопку Wi-Fi в течение трех секунд во время работы увлажнителя. Увлажнитель дважды издаст звуковой сигнал и индикатор Wi-Fi начнет мигать белым в качестве индикатора ожидания связи. После успешного подключения увлажнителя к вашему телефону индикатор Wi-Fi станет белым. Вы можете нажать кнопку Wi-Fi, чтобы включить или выключить функцию Wi-Fi и индикатор Wi-Fi. Когда функция Wi-Fi отключена, сеть между увлажнителем и телефоном отключается.
 6. Контроль подсветки: Чтобы включить или выключить подсветку резервуара для воды и индикатор режима, нажмите и удерживайте кнопку режима в течение трех секунд во время работы увлажнителя.
- Примечание. Увлажнитель работает нормально, если выключена подсветка резервуара для воды. Звуки прикосновения могут быть подключены/отключены через приложение Mi Home/Xiaomi Home.
7. Защита от работы всухую: Если закончилась вода в резервуаре для воды, или если он смещен с подставки электропитания, то увлажнитель трижды издаст звуковой сигнал. Затем увлажнитель перейдет в режим ожидания, а круговой индикатор загорится красным. После доливки воды или установки резервуара для воды обратно на подставку электропитания, увлажнитель может возобновить работу.

Инструкция

7. Защита от сухого хода: если в баке для воды нет воды или он удалён с основания, увлажнитель подаст три звуковых сигнала. Затем он переходит в режим ожидания, и круглый светодиодный индикатор станет красным. После заправки воды или возвращения ёмкости для воды обратно на основание, увлажнитель может возобновить работу.

Рекомендации по ежедневному уходу и обслуживанию

1. Всегда отключайте увлажнитель перед его очисткой.
2. Водоводы можно очищать непосредственно чистой мягкой влажной тканью.
3. Рекомендуется чистить водоводы и испаритель раз в неделю. Если в трубках для воды есть известковый налёт, вы можете налить в них немного лимонной кислоты, чтобы растворить ее. Затем используйте ватные тампоны или мягкую щётку, чтобы удалить накипь, а затем промойте каналы водой.

Примечание. При слишком сильном загрязнении водоводовувлажнитель будет поддерживать низкую влажность. Если такоепроизойдёт, очистите водоводы, чтобы увлажнитель работал нормально.

Меры предосторожности

Транспортировка

- Выключите и отключите увлажнитель перед его перемещением.
- При транспортировке или перемещении увлажнителя, пожалуйста, сначала опорожните резервуар для воды.

Установка

- Чтобы избежать поражения электрическим током, пожара, травм или других повреждений, убедитесь, что увлажнитель правильно установлен в соответствии с инструкциями.
- Не включайте увлажнитель в розетку, если он не полностью собран.
- Не разбирайте увлажнитель.

Меры предосторожности

Размещение

- Чтобы избежать повреждения резервуара для воды из-за резких перепадов температуры, пожалуйста, оставьте увлажнитель при комнатной температуре на 30 минут, прежде чем использовать его.
- Разместите увлажнитель воздуха на плоской горизонтальной поверхности.
- Не устанавливайте увлажнитель непосредственно на деревянные полы, чтобы не повредить пол в результате воздействия влаги.
- Во избежание повреждений, вызванных влагой, не устанавливайте увлажнитель на расстоянии 2 метров от мебели и приборов.
- Держите увлажнитель вдали от источников тепла и не подвергайте его воздействию прямых солнечных лучей.
- Не ставьте резервуар для воды непосредственно на стол или пол. Опорожните его перед размещением отдельно.

Шнур электропитания

Во избежание пожара, поражения электрическим током и другого ущерба используйте шнур питания и электрические розетки согласно приведённой ниже инструкции:

- Шнур питания должен вставляться в подходящий электрический разъем.
- Не тяните за шнур питания.
- Всегда отключайте увлажнитель перед проведением технического обслуживания или перемещением.

Резервуар для воды

- Не добавляйте эфирное масло, духи или дезинфицирующие средства в резервуар для воды, во избежание повреждения продукта или травмирования.
- Не добавляйте воду выше 40° C в резервуар для воды и водоводы, чтобы не повредить увлажнитель.
- Не допускайте попадания воды в основание через выпускное отверстие для воздуха. Если на основании есть вода, вытрите ее сухой тканью, чтобы избежать повреждения увлажнителя.
- Не используйте увлажнитель в средах, где температура ниже 0° C, так как вода в баке может замёрзнуть и повредить увлажнитель. Всегда сливайте воду из водяного бака и водоводов в таких суровых условиях.
- Не ставьте металлические предметы и не добавляйте химические или моющие средства в водоводы. В противном случае это приведёт к нездоровому испарению.
- Всегда выключайте и отключайте увлажнитель перед тем, как выливать воду из водопроводов.

Меры предосторожности

Добавление воды

- Отключайте увлажнитель при добавлении воды или очистке.
- Не добавляйте воду через выход тумана и выход воздуха.
- Не превышайте отметку максимального уровня воды при добавлении воды.

Во время использования

- Как только увлажнитель включён, включаются ультрафиолетовый свет и функция стерилизации. Как только увлажнитель выключен, ультрафиолетовое излучение и функция стерилизации отключаются.
- Ультрафиолетовый свет оснащён крышкой, чтобы предотвратить утечку ультрафиолетового света во время использования. Крышка может быть снята для очистки.
- Немедленно прекратите использование увлажнителя, если он издаёт необычные звуки, испускает неприятные запахи или перегревается.
- Держите волосы и ткани подальше от увлажнителя, чтобы они не попали внутрь или не заблокировали входные и выходные отверстия.
- Не сидите на увлажнителе, не опирайтесь на него и не наклоняйте его.
- При использовании увлажнителя в сочетании с газовыми приборами, в том числе газовые плиты, газовые обогреватели, убедитесь, что имеется достаточная вентиляция, чтобы избежать отравления угарным газом.
- Не перемещайте увлажнитель во время использования. Выключите и отключите увлажнитель перед его перемещением, очисткой или добавлением воды.

Ограничения на эксплуатацию

Не используйте увлажнитель воздуха при следующих обстоятельствах, поскольку это может привести к поражению электрическим током, пожару или другому ущербу:

- Всегда устанавливайте увлажнитель на ровную поверхность. В противном случае показания уровня воды могут быть неправильными или резервуар для воды может переполниться.
- Напряжение розетки должно быть таким же, как и у этого увлажнителя. Не используйте увлажнитель, если напряжение не соответствует, и обратитесь к вашему дилеру.
- Используйте увлажнитель только при нормальной комнатной температуре (от 5° C до 40° C).

Очистка

- Избегайте попадания воды в увлажнитель во время чистки.

Технические характеристики

Наименование: Умный антибактериальный увлажнитель воздуха Mi
Модель: ZNJSQ01DEM
Номинальная мощность: 25 Вт
Номинальное напряжение: 220-240 В ~
Номинальная частота: 50/60 Гц
Вместимость бака для воды: 4,5 л
Радиочастотные характеристики: 2.4 G Wi-Fi
Максимальная выходная мощность: <20 дБм

Вес нетто: 1.9 кг.
Уровень шума: ≤38 дБ
Макс. увлажняющая способность: 300 мл/ч
Размеры устройства: 190 × 190 × 353 mm
Материалы: ABS, PC & PA
Беспроводное подключение: Wi-Fi IEEE 802.11 b/g/n 2,4 ГГц
Рабочая частота: 2412-2472 MHz
CID: WFA97113

Подключитесь к приложению Mi Home/Xiaomi Home

Продукт работает с Mi Home/Xiaomi Home*. Управляйте своим устройством и взаимодействуйте с другими домашними устройствами в этом приложении.

Отсканируйте QR-код, чтобы скачать и установить приложение. Вы будете перенаправлены на страницу настройки подключения, если приложение уже установлено. Или выполните поиск по запросу "Mi Home/Xiaomi Home" в App Store, чтобы скачать и установить приложение. Откройте приложение Mi Home/Xiaomi Home, нажмите "+" в правом верхнем углу и следуйте инструкциям по добавлению устройства.

* В Европе приложение называется "Xiaomi Home" (кроме России). Название приложения, которое отображается на вашем устройстве, должно быть принято по умолчанию.



Примечание. Версия приложения могла обновиться. Следуйте инструкциям для текущей версии приложения.



- Cet appareil peut être utilisé par des enfants d'au moins 8 ans, des personnes aux aptitudes physiques, sensorielles et/ou mentales réduites ou encore manquant d'expérience et de connaissances à condition qu'ils soient surveillés et/ou sensibilisés à l'utilisation de l'appareil en toute sécurité et qu'ils comprennent les risques encourus. Les enfants ne doivent pas jouer avec l'appareil. Le nettoyage et l'entretien ne peuvent être effectués par les enfants que si ceux-ci sont sous la supervision d'une personne adulte.
- Cet appareil n'a pas été conçu pour être utilisé par des personnes (y compris des enfants) ayant des capacités physiques, sensorielles ou mentales réduites, ou ne disposant pas de l'expérience ou des connaissances nécessaires, sauf sous la supervision d'une personne responsable de leur sécurité, qui doit leur donner des instructions sur l'utilisation de l'appareil.
- Les enfants doivent être placés sous surveillance pour qu'ils ne jouent pas avec l'appareil.
- Si le cordon d'alimentation est endommagé, ce dernier doit être remplacé par le fabricant, son agent de maintenance ou des personnes qualifiées afin d'éviter tout danger.
- Vous êtes informés de ce que les niveaux élevés d'humidité peuvent encourager la croissance des organismes biologiques dans l'environnement.
- Ne permettez pas que la surface autour de l'humidificateur devienne moite ou humide. En cas de moiteur, réduire la puissance de sortie de l'humidificateur. Si le volume de la puissance de sortie

de l'humidificateur ne peut être réduit, utilisez l'humidificateur de manière intermittente. Ne pas permettre que des matières absorbantes, telles que les tapis, les rideaux, les draps et les nappes ne deviennent moites.

- Débranchez l'appareil lors du remplissage et du nettoyage.
- Ne jamais laisser de l'eau dans le réservoir lorsque l'appareil n'est pas utilisé.
- Videz et nettoyez l'humidificateur avant de le ranger. Nettoyez l'humidificateur avant la prochaine utilisation.
- **AVERTISSEMENT:** Les micro-organismes qui pourraient être présents dans l'eau ou au sein de l'environnement où l'appareil est utilisé ou gardé, peuvent se développer dans le réservoir d'eau et être soufflé dans l'air, entraînant de graves risques de santé, lorsque l'eau n'est pas renouvelée et que le réservoir n'est pas nettoyé proprement tous les 3 jours.
- Il faut faire attention au cours de l'utilisation de l'appareil en raison de l'émission de la vapeur d'eau chaude
- Nettoyez le réservoir d'eau tous les 3 jours.
- Cet appareil contient des émetteurs UV. Ne pas fixer la source de lumière du regard.
- Dans des conditions normales d'utilisation, cet équipement doit être maintenu à une distance d'au moins 20 cm entre l'antenne et le corps de l'utilisateur.



Tous les produits portant ce symbole deviennent des déchets d'équipements électriques et électroniques (DEEE dans la Directive européenne 2012/19/UE) qui ne doivent pas être mélangés aux déchets ménagers non triés. Vous devez contribuer à la protection de l'environnement et de la santé humaine en apportant l'équipement usagé à un point de collecte dédié au recyclage des équipements électriques et électroniques, agréé par le gouvernement ou les autorités locales. Le recyclage et la destruction appropriés permettront d'éviter tout impact potentiellement négatif sur l'environnement et la santé humaine. Contactez l'installateur ou les autorités locales pour obtenir plus d'informations concernant l'emplacement ainsi que les conditions d'utilisation de ce type de point de collecte.



Par la présente, Guangdong Deerma Technology Co., Ltd. déclare que cet équipement radio de type ZNJSQ01DEM est conforme à la Directive européenne 2014/53/UE. L'intégralité de la déclaration de conformité pour l'UE est disponible à l'adresse suivante :

<http://www.mi.com/global/service/support/declaration.html>

Consignes relatives à la Sécurité

- Ne pas brancher ou débrancher l'humidificateur avec des mains humides afin d'éviter des risques de chocs électriques.
- Ne pas essayer de démonter, réparer ou modifier l'humidificateur par vous-mêmes.
- Ne pas toucher le vaporisateur aussitôt que l'humidificateur est allumé. Sinon, vous pourrez ressentir une piqûre.
- Ne pas incliner, endommager ou placer des objets lourds sur le cordon d'alimentation afin d'éviter des risques de chocs électriques, des courts-circuits ou l'incendie.
- Débrancher immédiatement l'humidificateur s'il survient une erreur au cours de son utilisation, et prendre attache avec le service après-ventes.
- Pour éviter des risques d'accident, le cordon d'alimentation doit être remplacé par le fabricant ou par le service après-ventes s'il est endommagé ou cassé.
- Au cours du fonctionnement de l'humidificateur, ne pas retirer le réservoir d'eau du socle. Ne jamais toucher les conduits d'eau ou les composantes à l'intérieur du réceptacle.
- L'humidificateur est conçu pour une utilisation domestique uniquement.
- Débrancher l'humidificateur par temps d'orage ou lorsque vous n'envisagez pas de l'utiliser pendant une longue période.
- Ne pas renverser l'humidificateur lorsqu'il est en cours de fonctionnement afin d'éviter d'endommager ses composantes électroniques internes.
- L'humidificateur n'a pas été conçu pour être utilisé par des personnes (y compris des enfants) ayant des capacités physiques, sensorielles ou mentales réduites, ou ne disposant pas de l'expérience ou des connaissances nécessaires, sauf sous la supervision d'une personne responsable de leur sécurité, qui doit leur donner des instructions sur l'utilisation de l'appareil.



- Nettoyez le réservoir d'eau tous les 3 jours.

Les illustrations du produit, accessoires et interface utilisateur présents dans le manuel d'utilisation ne sont présentés qu'à titre de référence. Le produit et les fonctions réels peuvent varier suite à des améliorations diverses.

Présentation du produit

Procédure de fonctionnement:

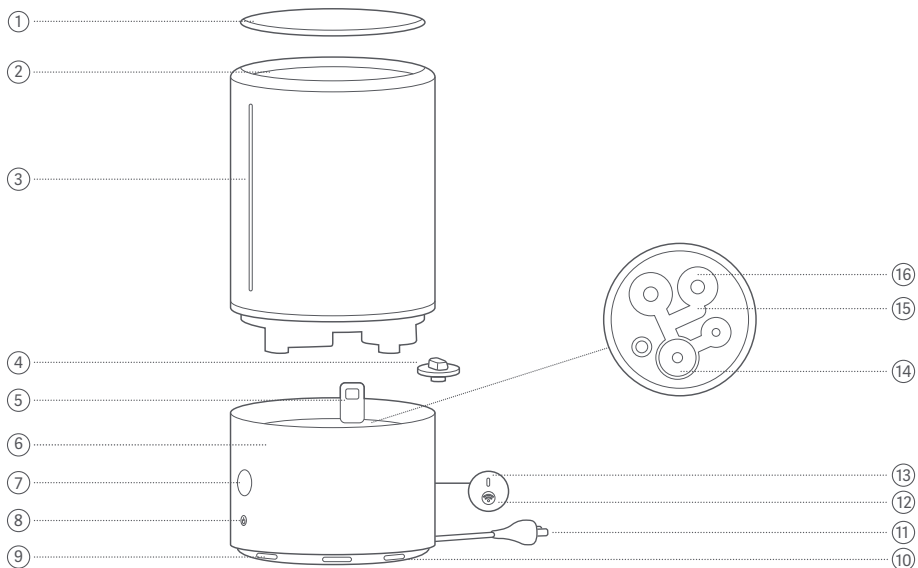
Doté d'ondes ultrasoniques de hautes fréquences de 1,7 million de vibrations par seconde, l'humidificateur vaporise l'eau à l'intérieur des particules ultra fines de 1-5 µm (microns), lesquelles seront à leur tour diffusées dans l'air à travers une unité pneumatique. L'humidificateur peut permettre de maintenir un taux d'humidité idéal à l'intérieur d'une pièce et empêcher la génération de l'électricité statique.

Caractéristiques:

- Apparence à la mode et une excellente réalisation
- Micro-ordinateur contrôlé, sécurisé et précis
- Humidité constant, réglage de la brume, stérilisation contre la lumière UV
- Connexion Wi-Fi intelligente et facile à utiliser
- Réservoir d'eau facile à remplir et facile à retirer

Statut de l'humidificateur	Voyant de mode	Indicateur de Wi-Fi
En veille	---	---
Mode vitesse	Quarts blancs	---
Mode d'humidité constante	Cercle blanc plein	---
Réservoir à court d'eau ou pas installé	Cercle rouge plein	---
Connexion Wi-Fi en attente...	---	Blanc clignotant
Wi-Fi connecté avec succès	---	Blanc

Présentation du produit



- 1 Couvercle du réservoir d'eau
- 2 Sortir de la brume
- 3 Réservoir d'eau
- 4 Couvercle de lumière UV

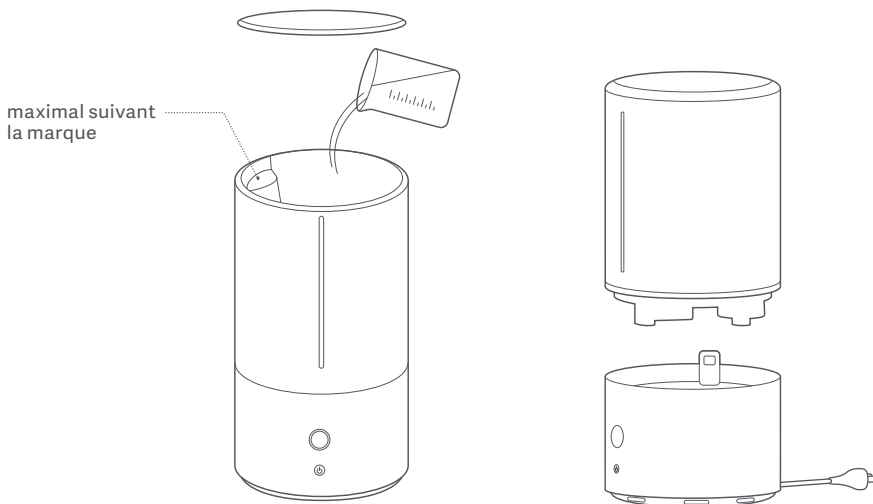
- 5 Sortie d'air
- 6 Socle
- 7 Bouton/Voyant de mode
- 8 Bouton Marche/Arrêt

- 9 Admission d'air
- 10 Socle en silicone
- 11 Cordon d'alimentation
- 12 Bouton Wi-Fi

- 13 Indicateur de Wi-Fi
- 14 Vaporisateur
- 15 Conduites d'eau
- 16 Lumière UV

Installation

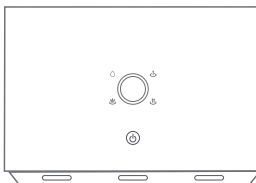
1. Retirer le couvercle du réservoir d'eau, puis ajouter l'eau jusqu'au niveau maximal suivant la marque d'indication de niveau.
2. Remettre en place le réservoir d'eau sur le socle.
3. Vous pouvez commencer à utiliser l'humidificateur aussitôt que son installation est terminée.



Remarques:

- L'humidificateur doit être placé sur une surface plane.
- Ajouter une quantité suffisante d'eau potable ou d'eau distillée, tout en veillant à ne pas dépasser le niveau d'eau maximal requis.

Utilisation



1. Avant de brancher l'humidificateur, se rassurer que sa tension de fonctionnement correspond à celle de la prise de courant. L'humidificateur émettra un bip quand il est démarré, puis passera en mode veille, et le témoin Wi - Fi clignote.
2. Activer l'humidificateur : Appuyer le bouton marche/arrêt, l'humidificateur émettra un bip et démarrera l'humidification. Le mode de vitesse par défaut est bas, avec 1/4 du voyant circulaire qui s'éclaire. L'humidificateur se rappellera du dernier mode utilisé lors de son extinction et démarrera à ce mode lors de son activation.
3. Éteindre l'humidificateur : Appuyer le bouton marche/arrêt, l'humidificateur émettra un bip et s'éteindra. Puis son voyant et la lumière du réservoir d'eau s'éteindront.
4. Basculer le mode : Appuyer le bouton de mode pour parcourir le mode basse vitesse, vitesse moyenne, grande vitesse, et le mode humidité constante avec 1/4, 1/2, 3/4, et l'ensemble du voyant circulaire correspondant qui s'éclaire. Remarque : Par défaut, l'humidificateur conservera une humidité relative de 60 % pendant qu'il est en mode humidité constante.
5. Bouton Wifi : Appuyer et maintenir enfoncé le bouton Wifi pendant trois secondes pendant que l'humidificateur est en fonction. L'humidificateur émettra un bip deux fois et le voyant du Wifi commencera à clignoter blanc pour indiquer qu'il est en attente de connexion. Dès que la connexion entre l'humidificateur et votre téléphone est établie de manière réussie, le voyant du Wifi affichera blanc. Vous pouvez appuyer le bouton du Wifi pour activer ou désactiver la fonction Wifi et le voyant du Wifi. Lorsque la fonction Wifi est désactivée, le réseau entre l'humidificateur et votre téléphone est désactivé.
6. Commande de lumière : Pour allumer ou éteindre la lumière du réservoir d'eau et le voyant de mode, appuyer et maintenir enfoncé le bouton de mode pendant trois secondes lorsque l'humidificateur est en fonction. Remarque : L'humidificateur fonctionne normalement si la lumière du réservoir d'eau est éteinte. La tonalité des touches peut être activée/désactivée à travers l'application Mi Home/Xiaomi Home.
7. Protection contre le fonctionnement à sec : Au cas où le réservoir d'eau est à court d'eau ou s'il est retiré du socle, l'humidificateur émettra un bip trois fois. Puis l'humidificateur passera en mode veille, et le voyant circulaire affichera rouge. En rechargeant de l'eau ou en remettant le réservoir d'eau sur le socle, l'humidificateur peut reprendre le fonctionnement.

Soins et entretien quotidiens

1. Toujours débrancher l'humidificateur avant de le nettoyer.
2. Les conduites d'eau peuvent être nettoyées directement à l'aide d'un tissu propre, doux et imbibé.
3. Il est recommandé de nettoyer les conduits d'eau et le vaporisateur une fois par semaine. Si des dépôts calcaires sont présents dans les conduites d'eau, vous pouvez y verser de l'acide citrique pour les dissoudre. Puis servez-vous des cotons-tiges ou d'une brosse douce pour retirer les dépôts calcaires puis rincer à l'eau les conduites d'eau par la suite.

Note: La présence excessive de saletés ou de poussières dans les conduites d'eau entraîneront la baisse de la capacité d'humidification de l'appareil. Si cela se produit, bien vouloir nettoyer les conduites pour permettre à l'humidificateur de reprendre un fonctionnement normal.

Précautions

Transport

- Éteindre et débrancher l'humidificateur avant de le déplacer.
- Lors du transport ou du retrait de l'humidificateur, bien vouloir vider le réservoir d'eau au préalable.

Installation

- Pour éviter les décharges électriques, l'incendie, les blessures corporelles ou d'autres dommages, se rassurer que l'humidificateur est correctement installé conformément aux instructions.
- Ne pas brancher l'humidificateur à une prise s'il n'est pas complètement assemblé.
- Ne pas démonter l'humidificateur.

Rangement

- Pour éviter d'endommager le réservoir d'eau du fait des changements brusques de température, bien vouloir laisser l'humidificateur à la température ambiante pendant 30 minutes avant de l'utiliser.
- Placer l'humidificateur sur une surface plane.
- Ne pas placer l'humidificateur directement sur un plancher en bois afin d'empêcher tout dommage lié à l'humidité du sol.
- Pour empêcher des dommages causés par l'humidité, ne pas placer l'humidificateur à une distance inférieure à 2 mètres des meubles et appareils.

Précautions

- Garder l'humidificateur loin des sources de chaleur et éviter de l'exposer directement aux rayons du soleil.
- Ne pas placer le réservoir d'eau directement sur une table ou sur le sol. Videz-le avant de le ranger séparément.

Cordon d'alimentation

Pour éviter tout risque d'incendie, de décharge électrique ou d'autres dommages, utiliser le cordon d'alimentation et les prises électriques selon les instructions ci-dessous :

- Le cordon d'alimentation doit être branché à une source électrique appropriée.
- Ne pas tirer le cordon d'alimentation.
- Toujours débrancher l'humidificateur avant d'effectuer toute opération d'entretien ou tout déplacement.

Réservoir d'eau

- N'ajoutez pas l'huile essentielle, parfum ni même le désinfectant dans le réservoir d'eau pour éviter d'endommager le produit ou de blesser le personnel.
- Ne pas ajouter de l'eau de plus de 40°C dans le réservoir d'eau et les conduites d'eau afin d'éviter d'endommager l'humidificateur.
- Ne pas laisser l'eau s'introduire dans le socle à travers la sortie d'air. S'il se trouve de l'eau dans le socle, utiliser un tissu sec pour le nettoyage afin d'éviter d'endommager l'humidificateur.
- Ne pas utiliser l'humidificateur dans des environnements où la température est inférieure à 0°C, car l'eau se trouvant dans le réservoir peut geler et causer des dommages à l'humidificateur. Toujours vider l'eau se trouvant dans le réservoir d'eau et dans les conduites d'eau lorsque l'humidificateur se trouve dans des environnements rudes.
- Ne pas ranger des objets métalliques ni ajouter des substances chimiques ou des détergents dans les conduites d'eau. Sinon, cela entraînera une vaporisation malsaine.
- Toujours éteindre et débrancher l'humidificateur avant de verser l'eau qui se trouve dans les conduites d'eau.

Ajout de l'eau

- Débrancher l'humidificateur lors de l'ajout de l'eau ou lors de son nettoyage.
- Ne pas ajouter de l'eau à travers la sortie de bruite ni la sortie d'air.
- Ne pas dépasser l'indication du niveau d'eau maximal lors de l'ajout de l'eau.

Pendant l'utilisation

- Dès que l'humidificateur est allumé, la lumière UV s'allume et la fonction de stérilisation s'active. Dès que

Précautions

ificateur est éteint, la lumière UV s'éteint et la fonction de stérilisation se désactive.

- La lumière UV est équipée d'un couvercle afin d'empêcher des fuites de lumière UV pendant l'utilisation. Le couvercle peut être retiré pour le nettoyage.
- Arrêter aussitôt l'humidificateur s'il émet un bruit inhabituel, dégage de mauvaises odeurs ou surchauffe.
- Tenir les cheveux et les tissus loin de l'humidificateur afin d'empêcher qu'ils ne se retrouvent à l'intérieur ou qu'ils n'obstruent les admissions et les sorties.
- Ne pas s'asseoir sur, ni s'appuyer sur, ni pencher l'humidificateur.
- En cas d'utilisation de l'humidificateur en combinaison avec des appareils fonctionnant au gaz, notamment les fours à gaz, des réchauds à gaz, se rassurer qu'il y a suffisamment d'aération afin d'éviter un empoisonnement dû au monoxyde de carbone.
- Ne pas déplacer l'humidificateur lorsqu'il est en cours de fonctionnement. Éteindre et débrancher l'humidificateur avant de le déplacer, le nettoyer ou d'y ajouter de l'eau.

Restrictions d'utilisation

Ne pas utiliser l'humidificateur dans les circonstances suivantes, car cela peut entraîner une décharge électrique, un incendie ou d'autres dommages :

- Toujours ranger l'humidificateur sur une surface plane. Sinon, le niveau d'eau affiché pourrait être incorrect ou que le réservoir d'eau peut inonder.
- La tension de la prise de courant doit être identique à celle de l'humidificateur. Ne pas utiliser l'humidificateur si les tensions ne correspondent pas et bien vouloir prendre attache avec votre revendeur.
- Utiliser uniquement l'humidificateur sous des températures ambiantes normales (de 5°C à 40°C).

Nettoyage

- Empêcher toute infiltration d'eau dans l'humidificateur lors du nettoyage.

Spécifications

Nom: Mi Smart Antibacterial Humidifier
Modèle: ZNJSQ01DEM

Poids net: 1.9 kg
Émission acoustique: ≤38 dB

Spécifications

Entrée nominale: 25 W

Tension nominale: 220-240 V-

Fréquence nominale: 50/60 Hz

Capacité du réservoir d'eau: 4.5 L

Spécifications RF: 2.4 G Wi-Fi

Puissance maximale en sortie: <20 dBm

Capacité de purification maximale: 300 mL/h

Dimensions de l'article: 190 × 190 × 353 mm

Matériaux: ABS, PC & PA

Connectivité sans fil: Wi-Fi IEEE 802.11 b/g/n 2.4 GHz

Fréquence de Fonctionnement: 2412-2472 MHz

CID: WFA97113

Connexion avec l'application Mi Home/Xiaomi Home

Ce produit fonctionne avec l'application Mi Home/Xiaomi Home*. Contrôlez et interagissez avec votre appareil ainsi que d'autres appareils domotiques intelligents avec l'application Mi Home/Xiaomi Home.

Scannez le code QR pour télécharger et installer l'application. Vous serez redirigé vers la page de configuration si l'application est déjà installée. Sinon, recherchez « Mi Home/Xiaomi Home » dans l'App Store pour la télécharger et l'installer. Ouvrez l'application Mi Home/Xiaomi Home, touchez l'icône « + » en haut à droite et suivez les invites pour ajouter votre appareil.

* Cette application est appelée l'application Xiaomi Home en Europe (sauf en Russie). Le nom de l'application qui s'affiche sur votre appareil devrait être utilisé comme nom par défaut.



Remarque : la version de l'application a été mise à jour. Suivez les instructions basées sur la version actuelle de l'application.

Pour obtenir un manuel électronique détaillé, rendez-vous sur le site www.mi.com/global/service/userguide



- L'apparecchio può essere utilizzato da bambini di età pari o superiore a 8 anni e da persone con capacità mentali, fisiche o sensoriali ridotte oppure da persone prive di esperienza o conoscenza dell'apparecchio, purché siano sorvegliate o siano state istruite sull'uso sicuro dell'apparecchio e comprendano i rischi che ne possono derivare. I bambini non devono giocare con l'apparecchio. La pulizia e la manutenzione dell'utente non devono essere eseguite da bambini senza supervisione.
- Questo apparecchio non è destinato all'utilizzo da parte di persone (inclusi bambini) con capacità fisiche, sensoriali o mentali ridotte, oppure con mancanza di esperienza e conoscenza, a meno che non ricevano supervisione e istruzione riguardo l'utilizzo dell'apparecchio da parte di una persona responsabile della loro incolumità.
- Non consentire ai bambini di giocare con l'apparecchio.
- Se il cavo di alimentazione è danneggiato, deve essere sostituito dal produttore, dal suo agente di servizio o da una persona analogamente qualificata al fine di evitare rischi.
- Tieni presente che livelli di umidità elevati possono favorire la crescita di organismi biologici nell'ambiente.
- Evita che l'area intorno all'umidificatore diventi umida o bagnata. In caso di umidità, abbassare l'uscita dell'umidificatore. Se il volume di uscita dell'umidificatore non può essere abbassato, utilizza l'umidificatore in modo intermittente. Non lasciare che materiali

assorbenti, come moquette, tende, tende o tovaglie, diventino umidi.

- Scollega l'apparecchio durante il riempimento e la pulizia.
- Non lasciare mai acqua nel serbatoio quando l'apparecchio non è in uso.
- Svuota e pulisci l'umidificatore prima di riporlo. Pulisci l'umidificatore prima del prossimo utilizzo.
- **AVVERTENZA:** I microrganismi che possono essere presenti nell'acqua o nell'ambiente in cui viene utilizzato o immagazzinato l'apparecchio, possono crescere nel serbatoio dell'acqua ed essere espulsi nell'aria causando rischi molto gravi per la salute quando l'acqua non viene rinnovata e il serbatoio non viene pulito correttamente ogni 3 giorni.
- Presta attenzione quando si utilizza l'apparecchio a causa dell'emissione di vapore acqueo caldo
- Pulisci il serbatoio dell'acqua ogni 3 giorni.
- Questo apparecchio contiene un emettitore UV. Non guardare la fonte di luce.
- In condizioni d'uso normali, questa apparecchiatura deve essere tenuta a una distanza minima di 20 cm tra l'antenna e il corpo dell'utente.



Tutti i prodotti contrassegnati da questo simbolo sono rifiuti di apparecchiature elettriche ed elettroniche (RAEE in base alla direttiva 2012/19/UE) che non devono essere smaltiti assieme a rifiuti domestici non differenziati. Al contrario, è necessario proteggere l'ambiente e la salute umana consegnando i rifiuti a un punto di raccolta autorizzato al riciclaggio di rifiuti di apparecchiature elettriche ed elettroniche, predisposto dalla pubblica amministrazione o dalle autorità locali. Lo smaltimento e il riciclaggio corretti aiutano a prevenire conseguenze potenzialmente negative all'ambiente e alla salute umana. Contattare l'installatore o le autorità locali per ulteriori informazioni sulla sede e per i termini e le condizioni di tali punti di raccolta.

C E Con la presente, Guangdong Deerma Technology Co., Ltd. dichiara che l'apparecchiatura radio di tipo ZNJSQ01DEM è conforme alla Direttiva 2014/53/UE.

Il testo completo della dichiarazione di conformità UE è disponibile al seguente indirizzo Internet:

<http://www.mi.com/global/service/support/declaration.html>

Istruzioni di sicurezza

- Non collegare o scollegare l'umidificatore con le mani bagnate in modo da evitare il rischio di scosse elettriche.
- Non tentare di smontare, riparare o modificare l'umidificatore da soli.
- Non toccare il vaporizzatore una volta acceso l'umidificatore. Altrimenti, potresti sentire una puntura.
- Non aggrovigliare, danneggiare o posizionare oggetti pesanti sul cavo di alimentazione in modo da evitare il rischio di scosse elettriche, cortocircuiti o incendi.
- Scollegare immediatamente l'umidificatore in caso di errore durante l'uso e contattare l'assistenza post-vendita.
- Per evitare rischi per la sicurezza, il cavo di alimentazione deve essere sostituito dal produttore o dal servizio post-vendita se è danneggiato o rotto.
- Durante il funzionamento dell'umidificatore, non rimuovere il serbatoio dell'acqua dalla base e non toccare mai i condotti dell'acqua o eventuali componenti all'interno del serbatoio.
- Questo umidificatore è progettato esclusivamente per l'uso domestico.
- Scollegare l'umidificatore durante i temporali o quando non si prevede di utilizzarlo per un lungo periodo di tempo.
- Non capovolgere l'umidificatore quando è in funzione o c'è acqua nel serbatoio in modo da evitare danni ai componenti elettronici interni.
- Questo umidificatore non è destinato all'utilizzo da parte di persone (inclusi bambini) con capacità fisiche, sensoriali o mentali ridotte, oppure con mancanza di esperienza e conoscenza, a meno che non ricevano supervisione e istruzione riguardo l'utilizzo dell'umidificatore da parte di una persona responsabile della loro incolumità.



- Pulisci il serbatoio dell'acqua ogni 3 giorni.

Le illustrazioni del prodotto, degli accessori e dell'interfaccia utente nel manuale utente sono esclusivamente a scopo di riferimento. Il prodotto effettivo e le relative funzioni possono variare a causa dei miglioramenti apportati al prodotto stesso.

Panoramica prodotto

Processo operativo:

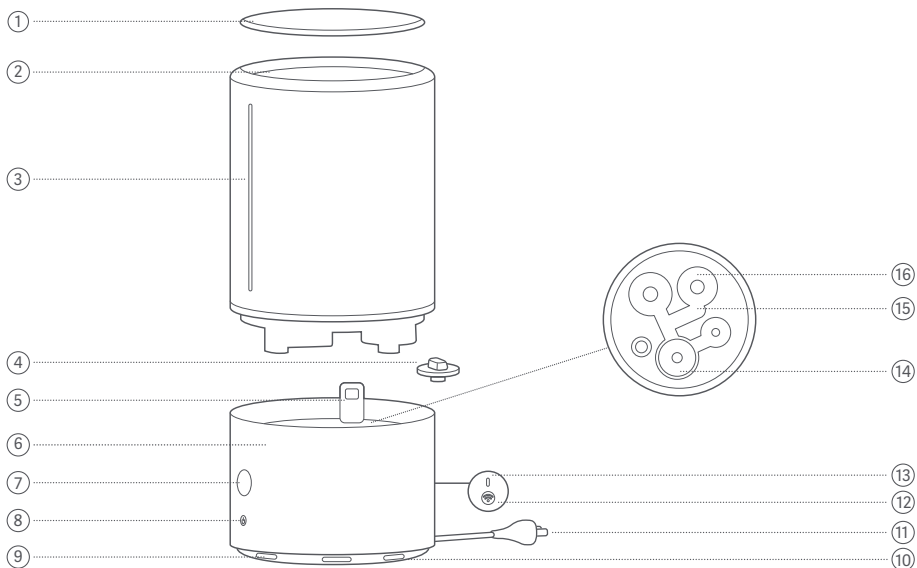
Con onde ultrasoniche ad alta frequenza di 1,7 milioni di vibrazioni al secondo, l'umidificatore vaporizza l'acqua in particelle ultrasottili di 1–5 µm (micron), che verranno poi diffuse nell'aria tramite un'unità pneumatica. L'umidificatore può aiutare a mantenere un'umidità ideale nella stanza e prevenire la generazione di elettricità statica.

Caratteristiche:

- Aspetto alla moda e artigianato squisito
- Controllato da microcomputer, sicuro e preciso
- Umidità costante, regolazione della nebbia e sterilizzazione con luce UV
- Connessione Wi-Fi intelligente e semplice da usare
- Serbatoio dell'acqua facile da riempire e da rimuovere

Stato dell'umidificatore	Indicatore modalità	Indicatore Wi-Fi
Standby	---	---
Modalità velocità	Quarti bianchi	---
Modalità di umidità costante	Cerchio bianco completo	---
Fuori dall'acqua o il serbatoio dell'acqua non è installato	Cerchio rosso completo	---
In attesa di connessione Wi-Fi...	---	Bianco lampeggiante
Connessione a Wi-Fi stabilita correttamente	---	bianco

Panoramica prodotto



1 Coperchio serbatoio dell'acqua

2 Uscita della nebbia

3 Serbatoio dell'acqua

4 Copertura della luce UV

5 Presa d'Aria

6 Base

7 Pulsante/Indicatore modalità

8 Pulsante di accensione/spengimento

9 Ingresso aria

10 Base in silicone

11 Cavo di alimentazione

13 Indicatore Wi-Fi

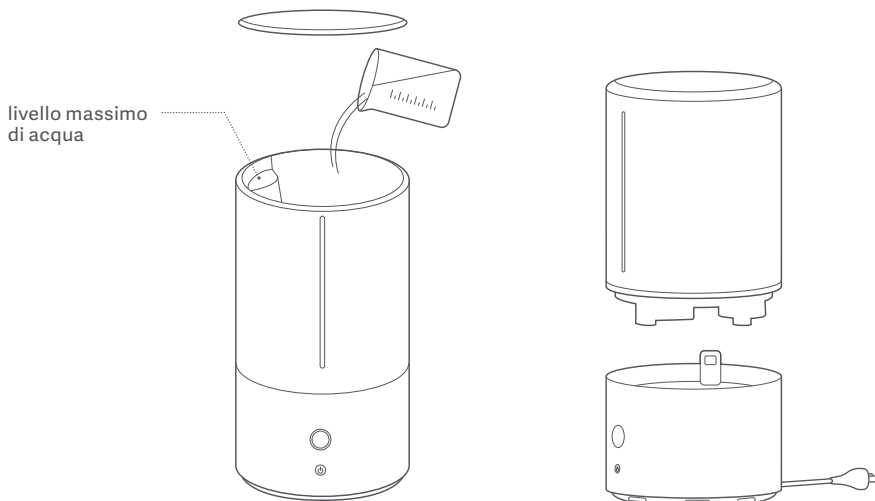
14 Vaporizzatore

15 Conduzioni dell'acqua

16 Luce UV

Installazione

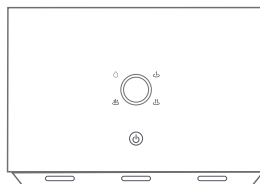
1. Rimuovere il coperchio del serbatoio dell'acqua e aggiungere acqua fino al segno del livello massimo dell'acqua.
2. Riposizionare il serbatoio dell'acqua sulla base.
3. È possibile iniziare a utilizzare l'umidificatore al termine dell'installazione.



Notes:

- L'umidificatore deve essere posizionato su una superficie piana.
- Aggiungere una quantità adeguata di acqua di rubinetto pulita o di acqua distillata e assicurarsi di non superare il segno di livello massimo dell'acqua.

Modalità d'utilizzo



1. Prima di collegare l'umidificatore, assicurarsi che la sua tensione di funzionamento corrisponda alla tensione della presa di corrente. L'umidificatore emette un segnale acustico una volta acceso, quindi entra in modalità standby con l'indicatore Wi-Fi lampeggiante.
 2. Accendi l'umidificatore: Premere il pulsante accensione/spengimento, l'umidificatore emetterà un segnale acustico e inizierà l'umidificazione. La modalità di velocità predefinita è bassa, con 1/4 dell'indicatore circolare acceso. L'umidificatore ricorderà l'ultima modalità utilizzata quando viene spento e si avvia in quella modalità quando viene acceso.
 3. Spegni l'umidificatore: Premere il pulsante accensione/spengimento, l'umidificatore emetterà un segnale acustico e si spegnerà. Quindi il suo indicatore e la spia del serbatoio dell'acqua si spegneranno.
 4. Cambia la modalità: Premere il pulsante modalità per scorrere le modalità di bassa velocità, media velocità, alta velocità e modalità di umidità costante, con 1/4, 1/2, 3/4 e il totale dell'indicatore circolare corrispondente che si accende.
- Nota: Per impostazione predefinita, l'umidificatore manterrà un'umidità relativa del 60 % mentre è in modalità umidità costante.
5. Pulsante Wi-Fi: Tenere premuto il pulsante Wi-Fi per tre secondi quando l'umidificatore è in funzione. L'umidificatore emetterà due segnali acustici e l'indicatore Wi-Fi inizierà a lampeggiare in bianco per indicare che è in attesa di una connessione. Una volta che l'umidificatore si connette correttamente al telefono, l'indicatore Wi-Fi diventerà bianco. È possibile premere il pulsante Wi-Fi per attivare o disattivare la funzione Wi-Fi e l'indicatore Wi-Fi. Quando la funzione Wi-Fi è disabilitata, la rete tra l'umidificatore e il telefono viene scollegata.
 6. Controllo della luce: Per accendere o spegnere la spia del serbatoio dell'acqua e l'indicatore della modalità, tenere premuto il pulsante della modalità per tre secondi quando l'umidificatore è in funzione.

Nota: L'umidificatore funziona normalmente se la spia del serbatoio dell'acqua è spenta. I suoni tattili possono essere abilitati/disabilitati tramite l'applicazione Mi Home/Xiaomi Home.

7. Protezione contro il funzionamento a secco: Se il serbatoio dell'acqua è fuori dall'acqua o è stato rimosso dalla base, l'umidificatore emetterà tre segnali acustici. Quindi l'umidificatore entra in modalità standby e l'indicatore circolare diventa rosso. Riempendo l'acqua o riposizionando il serbatoio dell'acqua sulla base, l'umidificatore può riprendere a funzionare.

Manutenzione e cura quotidiana

1. Scollegare sempre l'umidificatore prima di pulirlo.
2. I condotti dell'acqua possono essere puliti direttamente con un panno pulito, morbido e umido.
3. Si consiglia di pulire i condotti dell'acqua e il vaporizzatore una volta alla settimana. Se è presente del calcare nei condotti, è possibile versare un po' di acido citrico nei condotti per dissolverlo. Quindi utilizzare bastoncini di cotone o una spazzola morbida per rimuovere il calcare e successivamente sciacquare i condotti con acqua.

Nota: troppa sporcizia o polvere nei condotti dell'acqua causerà una bassa umidità nell'umidificatore. In questo caso, pulire i condotti per ripristinare il normale funzionamento dell'umidificatore.

Precauzioni

Trasporto

- Spegnerne e scollegare l'umidificatore prima di spostarlo.
- Quando si trasporta o si sposta l'umidificatore, svuotare prima il serbatoio dell'acqua.

Installazione

- Per evitare scosse elettriche, incendi, lesioni personali o altri danni, assicurarsi che l'umidificatore sia installato correttamente secondo le istruzioni.
- Non collegare l'umidificatore a una presa di corrente se non è completamente assemblato.
- Non smontare l'umidificatore.

Posizionamento

- Per evitare danni al serbatoio dell'acqua dovuti a improvvisi sbalzi di temperatura, lasciare l'umidificatore a temperatura ambiente per 30 minuti prima di utilizzarlo.
- Posizionare l'umidificatore su una superficie piana e piatta.
- Non posizionare l'umidificatore direttamente su pavimenti in legno in modo da evitare danni al pavimento causati dall'umidità.
- Per evitare danni causati dall'umidità, non posizionare l'umidificatore a una distanza di 2 metri da mobili e apparecchi.
- Tenere l'umidificatore lontano da fonti di calore ed evitare di esporlo alla luce solare diretta.
- Non posizionare il serbatoio dell'acqua direttamente su un tavolo o un pavimento. Svuotare prima di

Precauzioni

- posizionarlo separatamente.

Cavo di alimentazione

Per evitare incendi, scosse elettriche o altri danni, utilizzare il cavo di alimentazione e la presa elettrica come indicato di seguito:

- Il cavo di alimentazione deve essere inserito in una presa elettrica adeguata.
- Non tirare il cavo di alimentazione.
- Scollegare sempre l'umidificatore prima di eseguire qualsiasi manutenzione o spostarlo.

Serbatoio dell'acqua

- Al fine di evitare danni al prodotto o lesioni personali, non aggiungere olio essenziale, profumo o disinfettante nel serbatoio dell'acqua.
- Non aggiungere acqua a temperatura superiore a 40°C nel serbatoio e nei condotti dell'acqua in modo da evitare danni all'umidificatore.
- Non consentire all'acqua di fluire nella base attraverso l'uscita dell'aria. Se sulla base è presente dell'acqua, pulirla con un panno asciutto in modo da evitare danni all'umidificatore.
- Non utilizzare l'umidificatore in ambienti in cui la temperatura è inferiore a 0°C, poiché l'acqua nel serbatoio può congelare e causare danni all'umidificatore. Svuotare sempre l'acqua dal serbatoio e i condotti dell'acqua in ambienti così difficili.
- Non posizionare oggetti metallici, né aggiungere prodotti chimici o detersivi nei condotti dell'acqua. Altrimenti, causerà una vaporizzazione malsana.
- Spegnere sempre e scollegare l'umidificatore prima di versare l'acqua dai condotti dell'acqua.

Aggiungere acqua

- Scollegare l'umidificatore quando si aggiunge acqua o si pulisce.
- Non aggiungere acqua attraverso l'uscita della nebbia e l'uscita dell'aria.
- Non superare il segno di livello massimo dell'acqua quando si aggiunge acqua.

In uso

- Una volta acceso l'umidificatore, la luce UV è accesa e la funzione di sterilizzazione è abilitata. Una volta spento l'umidificatore, la luce UV è spenta e la funzione di sterilizzazione è disabilitata.
- La luce UV è dotata di una copertura in modo da evitare perdite di luce UV durante l'uso. Il coperchio può essere rimosso per la pulizia.

Precauzioni

- Smettere immediatamente di usare l'umidificatore se emette suoni insoliti, emana cattivi odori o si surriscalda.
- Tenere capelli e tessuti lontani dall'umidificatore in modo da evitare che cadano o ostruiscano le entrate e le uscite.
- Non sedersi, appoggiarsi o inclinare l'umidificatore.
- Quando si utilizza l'umidificatore insieme ad apparecchi alimentati a gas, tra cui stufe a gas, scaldini a gas, assicurarsi che vi sia ventilazione sufficiente per evitare l'avvelenamento da monossido di carbonio.
- Non spostare l'umidificatore durante l'uso. Spegnerlo e scollegare l'umidificatore prima di spostarlo, pulirlo o aggiungere acqua.

Restrizioni per l'utilizzo

Non utilizzare l'umidificatore nelle seguenti circostanze, poiché potrebbero provocare scosse elettriche, incendi o altri danni:

- Posizionare sempre l'umidificatore su una superficie piana. In caso contrario, la lettura del livello dell'acqua potrebbe non essere corretta o il serbatoio dell'acqua potrebbe traboccare.
- La tensione della presa di corrente deve essere uguale alla tensione di questo umidificatore. Non utilizzare l'umidificatore se le tensioni non corrispondono e contattare il proprio rivenditore.
- Utilizzare l'umidificatore solo a temperature ambiente normali (da 5°C a 40°C).

Pulizia

- Evitare di far entrare acqua nell'umidificatore durante la pulizia.

Specifiche tecniche

Nome: Mi Smart Antibacterial Humidifier

Modello: ZNJSQ01DEM

Ingresso nominale: 25 W

Tensione nominale: 220-240 V~

Frequenza nominale: 50/60 Hz

Capacità del serbatoio dell'acqua: 4,5 L

Peso netto: 1,9 kg

Emissione di rumore: ≤ 38 dB

Max. Capacità di umidificazione: 300 mL/h

Dimensioni articolo: 190 × 190 × 353 mm

Materiali: ABS, PC & PA

Connettività wireless: Wi-Fi IEEE 802.11 b/g/n 2,4 GHz

Specifiche tecniche

RF Specification: 2.4 G Wi-Fi
Maximum Output Power: <20 dBm

Frequenza di Funzionamento: 2412-2472 MHz
CID: WFA97113

Connessione con l'app Mi Home/Xiaomi Home

Questo prodotto funziona con l'app Mi Home/Xiaomi Home*. Controllo del dispositivo e interazione con altri dispositivi domotici intelligenti con l'app Mi Home/Xiaomi Home.

Eseguire la scansione del codice QR per scaricare e installare l'app. Se l'app è già installata, si verrà indirizzati alla pagina di configurazione della connessione. In alternativa, cercare l'app "Mi Home/Xiaomi Home" nell'App Store per scaricarla e installarla. Aprire l'app Mi Home/Xiaomi Home, toccare il simbolo "+" nell'angolo in alto a destra e seguire le istruzioni fornite per aggiungere il dispositivo.

* In Europa, eccetto che in Russia, l'app si chiama Xiaomi Home. Si consiglia di tenere per impostazione predefinita il nome dell'app visualizzato sul dispositivo.



Nota: poiché la versione dell'app potrebbe essere stata aggiornata, seguire le istruzioni della versione dell'app corrente.

Il manuale elettronico dettagliato è disponibile all'indirizzo www.mi.com/global/service/userguide




- Dieses Gerät ist für Kindern ab einem Alter von 8 Jahren und Personen geeignet, die körperlich, sensorisch oder geistig behindert sind oder nicht über ausreichend Erfahrung oder Kenntnisse verfügen, wenn sie eine Beaufsichtigung oder Anweisung zur sicheren Nutzung des Geräts erfahren haben und wissen, welche Gefahren auftreten können. Kinder dürfen nicht mit dem Gerät spielen. Die Reinigung und Wartung des Gerätes darf nicht von Kindern ohne Aufsicht durchgeführt werden.
- Dieses Gerät ist nicht für die Nutzung durch Personen (inklusive Kinder) mit eingeschränkten körperlichen, sensorischen oder mentalen Fähigkeiten, oder für Personen mit einem Mangel an Erfahrung und Wissen geeignet, es sei denn, diese wurden beaufsichtigt oder erhielten von einer Person, die für ihre Sicherheit verantwortlich ist, eine Anleitung bezüglich der Bedienung des Gerätes.
- Kinder sollten beaufsichtigt werden, damit sichergestellt ist, dass diese nicht mit dem Gerät spielen.
- Wenn das Netzkabel beschädigt ist, muss dieses vom Hersteller oder von einer herstellereigenen Reparatur-Werkstatt oder von ähnlich qualifizierten Personen ersetzt werden, da so Gefahren ausgeschlossen werden können.
Seien Sie sich bewusst, dass eine hohe Luftfeuchtigkeit das
- Wachstum von biologischen Organismen in der Umwelt fördern kann.
- Lassen Sie den Bereich um den Luftbefeuchter nicht feucht oder nass werden. Wenn Feuchtigkeit auftritt, drehen Sie die Leistung

des Luftbefeuchters herunter. Wenn sich die Leistung des Luftbefeuchters nicht verringern lässt, verwenden Sie den Luftbefeuchter intermittierend. Lassen Sie keine absorbierenden Materialien wie Teppiche, Vorhänge, Gardinen oder Tischdecken feucht werden.

- Ziehen Sie während des Befüllens und der Reinigung den Netzstecker.
- Lassen Sie niemals Wasser im Reservoir, wenn das Gerät nicht in Gebrauch ist.
- Entleeren und reinigen Sie den Luftbefeuchter vor der Lagerung. Reinigen Sie den Luftbefeuchter vor dem nächsten Gebrauch.
- **WARNUNG:** Mikroorganismen, die im Wasser oder in der Umgebung, in der das Gerät verwendet oder gelagert wird, vorhanden sein können, können im Wasserbehälter wachsen und in die Luft geblasen werden, was zu sehr ernstesten Gesundheitsrisiken führen kann, wenn das Wasser nicht erneuert und der Behälter nicht alle drei Tage ordnungsgemäß gereinigt wird.
- Bei der Benutzung des Geräts ist wegen der Emission von heißem Wasserdampf Vorsicht geboten
- Reinigen Sie den Wassertank alle 3 Tage.
- Dieses Gerät enthält einen UV-Strahler. Starren Sie nicht auf die Lichtquelle.
- Unter normalen Einsatzbedingungen muss dieses Gerät einen Abstand von mindestens 20 cm zwischen der Antenne und dem Körper des Benutzers einhalten.



Alle mit diesem Symbol gekennzeichneten Produkte sind Elektroschrott und Elektrogeräte (WEEE entsprechend EU-Richtlinie 2012/19/EU) und dürfen nicht mit  unsortiertem Haushaltsmüll vermischt werden.

Schützen Sie stattdessen Ihre Mitmenschen und die Umwelt, indem Sie Ihre zu entsorgenden Geräte an eine dafür vorgesehene, von der Regierung oder einer lokalen Behörde eingerichtete Sammelstelle zum Recycling von Elektroschrott und Elektrogeräten bringen. Eine ordnungsgemäße Entsorgung und Recycling helfen, negative Auswirkungen auf die Gesundheit von Umwelt und Menschen zu vermeiden. Wenden Sie sich bitte an den Installateur oder lokale Behörden, um Informationen zum Standort und den allgemeinen Geschäftsbedingungen solcher Sammelstellen zu erhalten.



Hiermit bestätigt Guangdong Deerma Technology Co., Ltd. dass das Funkgerät des Typs ZNJSQ01DEM mit der Verordnung 2014/53/EU in Einklang steht.

Der vollständige Wortlaut der EU-Konformitätserklärung ist unter der folgenden Internetadresse abrufbar:

<http://www.mi.com/global/service/support/declaration.html>

Sicherheitshinweise

- Den Netzstecker des Luftbefeuchters nicht mit nassen Händen einstecken oder abziehen, um die Gefahr von Stromschlägen zu vermeiden.
- Versuchen Sie nicht, den Luftbefeuchter selbst zu zerlegen, zu reparieren oder zu modifizieren.
- Berühren Sie den Verdampfer nicht, wenn der Luftbefeuchter eingeschaltet ist. Sie könnten sonst einen Stich fühlen.
- Verwickeln Sie das Netzkabel nicht, beschädigen Sie es nicht und legen Sie keine schweren Gegenstände darauf, um die Gefahr von Stromschlägen, Kurzschlüssen oder Feuer zu vermeiden.
- Ziehen Sie sofort den Netzstecker des Luftbefeuchters ab, wenn ein Fehler während des Gebrauchs auftritt, und wenden Sie sich an den Kundendienst.
- Um Sicherheitsrisiken zu vermeiden, muss das Netzkabel bei Beschädigung oder Bruch durch den Hersteller oder den Kundendienst ersetzt werden.
- Während des Betriebs des Luftbefeuchters darf der Wassertank nicht vom Fuß entfernt werden, und die Wasserleitungen oder andere Komponenten im Inneren des Tanks dürfen nicht berührt werden.
- Dieser Luftbefeuchter ist nur für den Betrieb im Innenbereich gedacht.
- Ziehen Sie den Stecker des Luftbefeuchters bei Gewitter ab oder wenn Sie den Luftbefeuchter längere Zeit nicht benutzen wollen.
- Drehen Sie den Luftbefeuchter nicht auf den Kopf, wenn er in Betrieb ist oder sich Wasser im Tank befindet, um Schäden an den internen elektronischen Komponenten zu vermeiden.
- Dieses Gerät ist nicht für die Nutzung durch Personen (inklusive Kinder) mit eingeschränkten körperlichen, sensorischen oder mentalen Fähigkeiten, oder mit einem Mangel an Erfahrung und Wissen geeignet, es sei denn, diese werden beaufsichtigt oder erhalten von einer Person, die für die Sicherheit dieser Person(en) verantwortlich ist, eine Anleitung bezüglich der Bedienung des Luftbefeuchters.



- Reinigung des Wassertanks alle drei Tage.

Abbildungen des Produkts, des Zubehörs und der Benutzeroberfläche in der Benutzerhandbuch dienen nur als Referenz. Die tatsächlichen Produkte und Funktionen können aufgrund von Produktverbesserungen variieren.

Produktüberblick

Betriebsablauf:

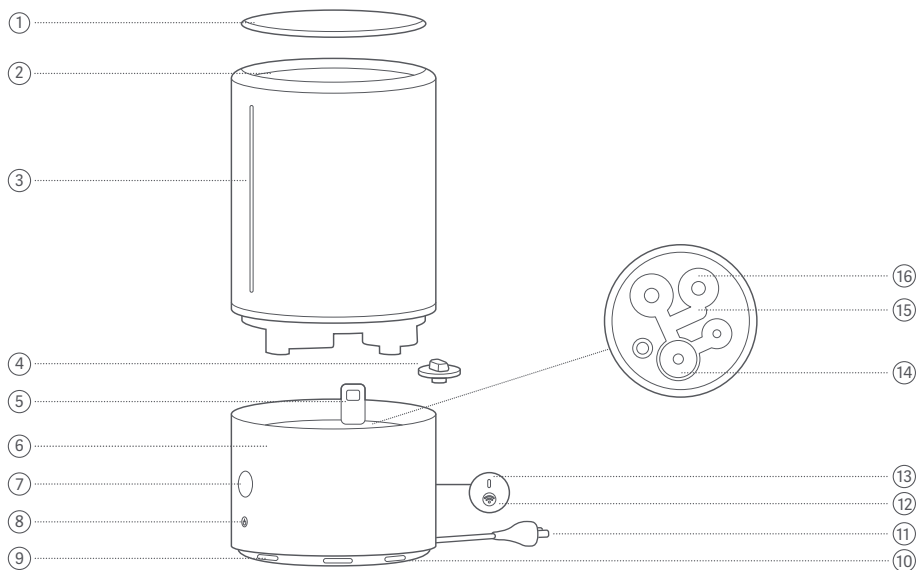
Der Luftbefeuchter verdampft mit hochfrequenten Ultraschallwellen von 1,7 Millionen Schwingungen pro Sekunde Wasser in feinste Partikel von 1-5 µm (Mikron), die dann über eine Pneumatikeinheit in die Luft verteilt werden. Der Luftbefeuchter kann dazu beitragen, eine ideale Luftfeuchtigkeit im Raum zu erhalten und die Entstehung von elektrostatischer Aufladung zu verhindern.

Merkmale:

- Trendige Optik und anspruchsvolle Handwerkskunst
- Mikrocomputergesteuert, sicher und genau
- Konstante Luftfeuchtigkeit, Nebelregulierung und UV-Licht-Sterilisation
- Intelligente WLAN Verbindung und einfach zu bedienen
- Leicht zu befüllender und leicht zu entnehmender Wassertank

Status des Luftbefeuchters	Modus-Anzeiger	WLAN-Anzeiger
Standby	---	---
Geschwindigkeitsmodus	Weißer Viertel	---
Konstanter Luftfeuchtigkeitsmodus	Voller weißer Kreis	---
Kein Wasser oder der Wassertank ist nicht installiert	Voller roter Kreis	---
Warten auf WLAN-Verbindung...	---	Weiß blinkend
Erfolgreich mit WLAN verbunden	---	Weiß

Produktüberblick



- 1 Wassertankdeckel
- 2 Nebelauslass
- 3 Wassertank
- 4 UV-Lichtabdeckung

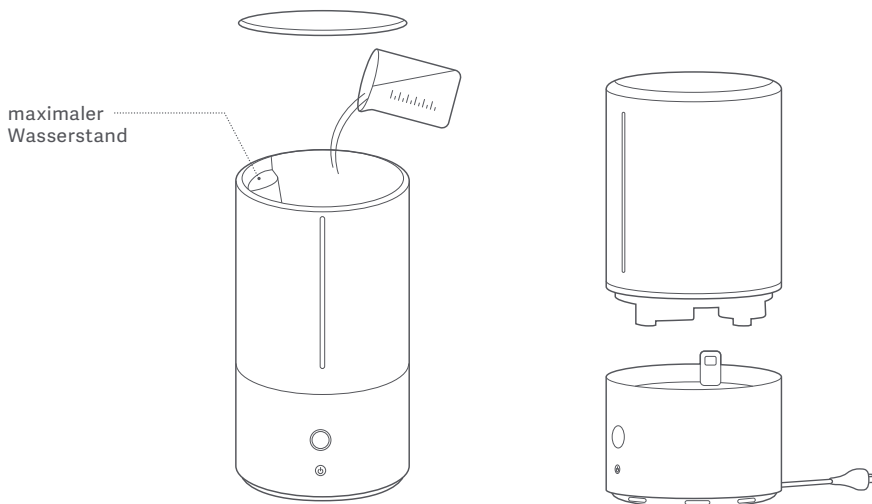
- 5 Lufauslass
- 6 Fuß
- 7 Modus-Taste/Anzeiger
- 8 Ein/Aus-Taste

- 9 Lufeinlass
- 10 Silikonfuß
- 11 Stromkabel
- 12 WLAN-Taste

- 13 WLAN-Anzeiger
- 14 Verdampfer
- 15 Wasserleitung
- 16 UV-Licht

Installation

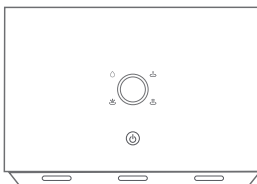
1. Nehmen Sie den Wassertankdeckel ab und füllen Sie Wasser bis zur Markierung für den maximalen Wasserstand nach.
2. Setzen Sie den Wassertank wieder auf.
3. Nach Abschluss der Installation können Sie den Luftbefeuchter in Betrieb nehmen.



Hinweise:

- Der Luftbefeuchter muss auf eine ebene Fläche gestellt werden.
- Fügen Sie eine geeignete Menge sauberes Leitungswasser oder destilliertes Wasser hinzu und achten Sie darauf, dass die Markierung für den maximalen Wasserstand nicht überschritten wird.

Benutzung



1. Bevor Sie den Luftbefeuchter einstecken, vergewissern Sie sich, dass die Betriebsspannung mit der Spannung der Netzsteckdose übereinstimmt. Der Luftbefeuchter piept einmal nach dem Einschalten und geht dann in den Bereitschaftsmodus, wobei die WLAN-Anzeige blinkt.
2. Schalten Sie den Luftbefeuchter ein: Drücken Sie die Ein/Aus-Taste, der Luftbefeuchter piept und beginnt mit der Befuchtung. Der Standard-Drehzahlmodus ist niedrig, wobei 1/4 des kreisförmigen Anzeigers aufleuchtet. Der Luftbefeuchter merkt sich den zuletzt verwendeten Modus, wenn er ausgeschaltet wird, und startet in diesem Modus, wenn er eingeschaltet wird.
3. Schalten Sie den Luftbefeuchter aus: Drücken Sie die Ein/Aus-Taste, der Luftbefeuchter piept und schaltet sich aus. Dann erlöschen sein Anzeiger und die Wassertankleuchte.
4. Wechseln Sie den Modus: Drücken Sie die Taste Modus, um zwischen den Modi Niedrige Drehzahl, Mittlere Drehzahl, Hohe Drehzahl und Konstante Luftfeuchtigkeit umzuschalten, wobei 1/4, 1/2, 3/4 und der gesamte entsprechende kreisförmige Anzeiger aufleuchten.
Hinweis: Standardmäßig hält der Luftbefeuchter im Konstantfeuchte-Modus eine relative Luftfeuchtigkeit von 60 % aufrecht.
5. WLAN-Taste: Halten Sie die WLAN-Taste drei Sekunden lang gedrückt, wenn der Luftbefeuchter in Betrieb ist. Der Luftbefeuchter piept zweimal und der WLAN-Anzeiger beginnt weiß zu blinken, um anzuzeigen, dass er auf eine Verbindung wartet. Sobald der Luftbefeuchter erfolgreich eine Verbindung mit Ihrem Telefon hergestellt hat, leuchtet der WLAN-Anzeiger weiß. Sie können die WLAN-Taste drücken, um die WLAN-Funktion und den WLAN-Anzeiger ein- oder auszuschalten. Wenn die WLAN-Funktion deaktiviert ist, wird das Netzwerk zwischen dem Luftbefeuchter und Ihrem Telefon getrennt.
6. Lichtsteuerung: Um die Beleuchtung des Wassertanks und des Modus-Anzeigers ein- oder auszuschalten, halten Sie die Modus-Taste drei Sekunden lang gedrückt, wenn der Luftbefeuchter in Betrieb ist.
Hinweis: Der Luftbefeuchter arbeitet normal, wenn die Wassertankleuchte erloschen ist. Berührungstöne können über die Mi Home/Xiaomi Home App aktiviert/deaktiviert werden.
7. Trockenlaufschutz: Wenn der Wassertank kein Wasser mehr enthält oder vom Sockel entfernt wird, piept der Luftbefeuchter dreimal. Dann geht der Luftbefeuchter in den Standby-Modus, und der kreisförmige Anzeiger wird rot. Wenn Sie Wasser nachfüllen oder den Wassertank wieder auf den Sockel aufsetzen, kann der Luftbefeuchter seine Arbeit wieder aufnehmen.

Tägliche Pflege und Wartung

1. Ziehen Sie vor der Reinigung des Luftbefeuchters immer den Netzstecker ab.
2. Die Wasserleitungen können direkt mit einem sauberen, weichen, feuchten Tuch gereinigt werden.
3. Es wird empfohlen, die Wasserleitungen und den Verdampfer einmal pro Woche zu reinigen. Wenn sich Kalk in den Leitungen befindet, können Sie etwas Zitronensäure in die Leitungen gießen, um diesen zu lösen. Dann benutzen Sie Wattestäbchen oder eine weiche Bürste, um den Kalk zu entfernen und spülen die Leitungen anschließend mit Wasser aus.

Hinweis: Bei zu viel Schmutz oder Staub in den Wasserleitungen wird der Luftbefeuchter mit niedriger Luftfeuchtigkeit arbeiten. Reinigen Sie in diesem Fall bitte die Leitungen, damit der Luftbefeuchter wieder normal arbeiten kann.

Vorsichtsmaßnahmen

Transport

- Schalten Sie den Luftbefeuchter aus und ziehen Sie den Netzstecker ab, bevor Sie ihn bewegen.
- Wenn Sie den Luftbefeuchter transportieren oder bewegen, entleeren Sie bitte zuerst den Wassertank.

Installation

- Um elektrische Schläge, Feuer, Verletzungen oder andere Schäden zu vermeiden, vergewissern Sie sich, dass der Luftbefeuchter ordnungsgemäß und entsprechend den Anweisungen installiert wurde.
- Schließen Sie den Luftbefeuchter nicht in eine Steckdose an, wenn er nicht vollständig montiert ist.
- Versuchen Sie nicht, den Luftbefeuchter zu zerlegen.

Aufstellung

- Um Schäden am Wassertank durch plötzliche Temperaturwechsel zu vermeiden, lassen Sie den Luftbefeuchter bitte vor dem Gebrauch 30 Minuten bei Raumtemperatur stehen.
- Stellen Sie den Luftbefeuchter auf eine flache, ebene Fläche.
- Stellen Sie den Luftbefeuchter nicht direkt auf Holzböden, um Feuchtigkeitsschäden am Boden zu vermeiden. Stellen Sie den Luftbefeuchter nicht in einem Abstand von weniger als 2 Metern zu Möbeln und Geräten auf, um Feuchtigkeitsschäden zu vermeiden.

Vorsichtsmaßnahmen

- Stellen Sie den Luftbefeuchter nicht in einem Abstand von weniger als 2 Metern zu Möbeln und Geräten auf, um Feuchtigkeitsschäden zu vermeiden.
- Halten Sie den Luftbefeuchter von Wärmequellen fern und setzen Sie ihn nicht direkter Sonneneinstrahlung aus.
- Stellen Sie den Wassertank nicht direkt auf einen Tisch oder Boden. Leeren Sie ihn, bevor Sie ihn getrennt aufstellen.

Stromkabel

Um Brände, Stromschläge oder andere Schäden zu vermeiden, verwenden Sie das Netzkabel und die Steckdose wie unten beschrieben:

- Das Netzkabel muss in eine geeignete Steckdose eingesteckt werden.
- Ziehen Sie nicht am Netzkabel.
- Ziehen Sie immer den Netzstecker des Luftbefeuchters ab, bevor Sie Wartungsarbeiten durchführen oder den Luftbefeuchter bewegen.

Wassertank

- Füllen Sie kein ätherisches Öl, Parfüm oder Desinfektionsmittel in den Wassertank, um Schäden am Produkt oder Verletzungen zu vermeiden.
- Geben Sie kein Wasser wärmer als 40° C in den Wassertank und die Wasserleitungen, um Schäden am Luftbefeuchter zu vermeiden.
- Lassen Sie kein Wasser über den Luftauslass auf den Fuß fließen. Wenn sich Wasser auf dem Fuß befindet, wischen Sie es mit einem trockenen Tuch auf, um Schäden am Luftbefeuchter zu vermeiden.
- Verwenden Sie den Luftbefeuchter nicht in Umgebungen, in denen die Temperatur unter 0° C liegt, da das Wasser im Tank einfrieren und den Luftbefeuchter beschädigen kann. Entleeren Sie in solchen extremen Umgebungen immer das Wasser aus dem Wassertank und den Wasserleitungen.
- Legen Sie keine Metallgegenstände in die Wasserleitungen und geben Sie keine Chemikalien oder Reinigungsmittel in die Wasserleitungen. Andernfalls wird eine ungesunde Verdunstung verursacht.
- Schalten Sie den Luftbefeuchter immer aus und ziehen Sie den Netzstecker ab, bevor Sie das Wasser aus den Wasserleitungen ausgießen.

Wasser hinzufügen

- Ziehen Sie den Stecker des Luftbefeuchters ab, wenn Sie Wasser nachfüllen oder den Luftbefeuchter reinigen.

Vorsichtsmaßnahmen

- Fügen Sie kein Wasser über den Nebelauslass und den Luftauslass hinzu.
Überschreiten Sie beim Nachfüllen von Wasser nicht die Markierung für den maximalen Wasserstand.

Während der Verwendung

- Nach dem Einschalten des Luftbefeuchters ist das UV-Licht eingeschaltet und die Sterilisationsfunktion aktiviert. Nach dem Ausschalten des Luftbefeuchters ist das UV-Licht ausgeschaltet und die Sterilisationsfunktion ist deaktiviert.
- Das UV-Licht ist mit einer Abdeckung versehen, um ein Austreten von UV-Licht während des Gebrauchs zu verhindern. Die Abdeckung kann zur Reinigung abgenommen werden.
- Stellen Sie die Verwendung des Luftbefeuchters sofort ein, wenn der Luftbefeuchter ungewöhnliche Geräusche macht, schlechte Gerüche abgibt oder sich überhitzt.
- Halten Sie Haare und Stoffe vom Luftbefeuchter fern, um zu verhindern, dass sie in die Ein- und Ausgänge fallen oder diese verstopfen.
- Sie dürfen sich nicht auf den Luftbefeuchter setzen, sich daran anlehnen oder ihn kippen.
- Wenn Sie den Luftbefeuchter in zusammen mit gasbetriebenen Geräten wie Gasherden oder Gasheizungen verwenden, stellen Sie sicher, dass eine ausreichende Belüftung vorhanden ist, um eine Kohlenmonoxidvergiftung zu vermeiden.
- Bewegen Sie den Luftbefeuchter während des Gebrauchs nicht. Schalten Sie den Luftbefeuchter aus und ziehen Sie den Netzstecker ab, bevor Sie den Luftbefeuchter bewegen, reinigen oder Wasser hinzufügen.

Nutzungseinschränkungen

- Verwenden Sie den Luftbefeuchter nicht unter den folgenden Umständen, da dies zu Stromschlägen, Bränden oder anderen Schäden führen kann:
- Stellen Sie den Luftbefeuchter immer auf eine ebene Fläche. Andernfalls kann der Wasserstand falsch abgelesen werden oder der Wassertank kann überlaufen.
- Die Spannung der Steckdose muss mit der Spannung dieses Luftbefeuchters übereinstimmen. Verwenden Sie den Luftbefeuchter nicht, wenn die Spannungen nicht übereinstimmen, und wenden Sie sich bitte an Ihren Händler.
- Benutzen Sie den Luftbefeuchter nur bei normalen Raumtemperaturen (5° C bis 40° C).

Reinigung

- Vermeiden Sie, dass beim Reinigen Wasser in den Luftbefeuchter eindringt.

Spezifikationen

Name: Mi Smart-Antibakterieller-Luftbefeuchter

Modell: ZNJSQ01DEM

Nenneingang: 25 W

Nennspannung: 220-240 V~

Nennfrequenz: 50/60 Hz

Wassertankkapazität: 4,5 l

HF Spezifikation: 2,4 G WLAN

Maximale Ausgangsleistung: <20 dBm

Nettogewicht: 1,9 kg

Geräuschemission: ≤ 38 dB

Maximale Befeuchtungsleistung: 300 mL/Std

Produktmaße: 190 × 190 × 353 mm

Materialien: ABS, PC und PA

WLAN-Verbindung: WLAN IEEE 802.11 b/g/n 2,4 GHz

Arbeitsfrequenz: 2412-2472 MHz

CID: WFA97113

Mit der Mi Home-/Xiaomi Home-App verbinden

Dieses Produkt funktioniert mit der Mi Home-/Xiaomi Home-App*. Steuern Sie Ihr Gerät und lassen Sie dieses sowie weitere Smart Home-Geräte mit der Mi Home-/Xiaomi Home-App interagieren.

Scannen Sie den QR-Code, um die App herunterzuladen und zu installieren. Ist die App bereits installiert, werden Sie zur Verbindungseinrichtungs-Seite weitergeleitet. Sie können aber auch im App Store nach „Mi Home/Xiaomi Home“ suchen, um die App herunterzuladen und zu installieren. Öffnen Sie die Mi Home-/Xiaomi Home-App, tippen Sie auf das „+“ oben rechts und befolgen Sie die Anweisungen auf dem Bildschirm, um Ihr Gerät hinzuzufügen.

* In Europa (außer in Russland) wird die App unter dem Namen Xiaomi Home-App geführt. Der auf Ihrem Gerät angezeigte Name der App sollte standardmäßig verwendet werden.



Hinweis: Die Version der App wurde möglicherweise aktualisiert. Befolgen Sie bitte die Anweisungen zur aktuellen App-Version.

Ein detailliertes elektronisches Handbuch finden Sie unter www.mi.com/global/service/userguide




- To urządzenie może być używane przez dzieci w wieku od 8 lat wzwyż oraz osoby o ograniczonych zdolnościach ruchowych, postrzegania lub umysłowych lub osoby niemające doświadczenia lub wiedzy, jeśli odbywa się to pod nadzorem lub zgodnie z instrukcją użytkowania sprzętu w bezpieczny sposób i ze zrozumieniem występujących zagrożeń. Urządzenie nie jest zabawką dla dzieci. Dzieci mogą czyścić i konserwować urządzenie wyłącznie pod nadzorem osób dorosłych.
- Tego urządzenia nie powinny używać osoby (w tym dzieci) o obniżonej sprawności fizycznej, sensorycznej lub umysłowej, ani osoby bez odpowiedniej wiedzy i doświadczenia, chyba że nad ich bezpieczeństwem będzie czuwała osoba za nie odpowiedzialna.
- Dzieci powinny pozostawać pod nadzorem, aby upewnić się, że nie bawią się urządzeniem.
- Jeśli kabel jest uszkodzony, musi zostać wymieniony przez producenta, jego autoryzowanego agenta lub wykwalifikowaną osobę w celu uniknięcia zagrożenia.
- Należy pamiętać, że wysoki poziom wilgotności może sprzyjać wzrostowi organizmów biologicznych w środowisku.
- Nie można dopuścić do zmożenia lub zwilgotnienia obszaru wokół nawilzacza. Jeśli wystąpi wilgoć, zmniejsz pojemność wylotową nawilzacza. Jeśli pojemności wylotowej nie można zmniejszyć, używaj nawilzacza okresowo. Nie pozwól, aby materiały absorbujące, takie jak dywany, zasłony, kotary lub obrusy uległy zawilgoceniu.

- Podczas wypełniania i czyszczenia urządzenie powinno być odłączone od prądu.
- Podczas okresów nieużytkowania zbiornik wody powinien być pusty.
- Przed przechowywaniem należy opróżnić i wyczyścić nawilżacz. Wyczyść nawilżacz przed ponownym użyciem.
- **OSTRZEŻENIE:** Organizmy obecne w wodzie bądź środowisku użytkowania lub przechowywania nawilżacza mogą wzrastać w zbiorniku wody i zostać wyrzucone w powietrze – stwarza to poważne ryzyko zdrowotne, jeśli woda nie jest zmieniana, a zbiornik dobrze czyszczony co 3 dni.
- Podczas użytkowania urządzenia należy zachować ostrożność i uważać na opary gorącej wody.
- Czy zbiornik wody co 3 dni.
- Urządzenie wyposażone jest w nadajnik UV. Nie wolno patrzeć na źródło światła.
- W normalnych warunkach użytkowania to urządzenie powinno znajdować się w odległości 20 cm od anteny i ciała użytkownika.



Wszystkie produkty oznaczone tym symbolem są uznane za odpady sprzętu elektrycznego i elektronicznego (WEEE zgodnie z Dyrektywą 2012/19/UE) i nie mogą być wyrzucane po zakończeniu okresu użytkowania wraz z innymi odpadami. W celu ochrony zdrowia ludzi oraz środowiska naturalnego należy przekazać zużyty sprzęt do wyznaczonego

punktu utylizacji wyznaczonego przez instytucje rządowe lub lokalne. Prawidłowe usunięcie zużytego produktu pomaga w zapobieganiu potencjalnym negatywnym skutkom oddziaływania na środowisko naturalne i zdrowie ludzi. Więcej informacji można uzyskać w urzędzie lokalnym lub od instalatora.

 Niniejszym firma Guangdong Deerma Technology Co., Ltd. oświadcza, że urządzenie radiowe typu ZNJSQ01DEM jest zgodne z dyrektywą 2014/53/UE.

Pełny tekst deklaracji zgodności UE jest dostępny na następującej stronie internetowej:

<http://www.mi.com/global/service/support/declaration.html>

Instrukcje Dotyczące Bezpieczeństwa

- Nie wolno podłączać ani odłączać przewodu zasilania nawilżacza mokrymi rękami, w przeciwnym razie może dojść do porażenia prądem elektrycznym.
- Nie wolno samodzielnie demontować, naprawiać ani modyfikować nawilżacza.
- Nie wolno dotykać parownika przy włączonym nawilżaczu, w przeciwnym razie może dojść do poparzenia.
- Nie wolno dopuścić do poplątania ani uszkodzenia przewodu zasilania, ani też umieszczać na nim ciężkich przedmiotów. W przeciwnym razie może dojść do porażenia prądem elektrycznym, zwarcia albo pożaru.
- Jeśli podczas użytkowania wystąpi błąd, należy natychmiast odłączyć nawilżacz od prądu i skontaktować się z serwisem posprzedażowym.
- Jeśli przewód zasilania uległ uszkodzeniu lub zniszczeniu, należy go wymienić u producenta lub w dziale posprzedażowym; pozwoli to zapobiec zagrożeniom.
- Podczas pracy nawilżacza nie wolno usuwać zbiornika na wodę z podstawy, dotykać przewodów wodnych ani żadnych części znajdujących się w zbiorniku.
- Nawilżacz przeznaczony jest do użytku wewnętrznego.
- W czasie burzy lub podczas długich okresów nieużytkowania nawilżacz należy odłączyć od gniazdka.
- Podczas pracy nawilżacza lub po napełnieniu zbiornika wodą nie należy stawiać urządzenia do góry nogami; pozwoli to zapobiec uszkodzeniom wewnętrznych części elektronicznych.
- Tego nawilżacza nie powinny używać osoby (w tym dzieci) o obniżonej sprawności fizycznej, sensorycznej lub umysłowej ani osoby bez odpowiedniej wiedzy i doświadczenia, chyba że nad ich bezpieczeństwem będzie czuwała osoba za nie odpowiedzialna lub otrzymają one odpowiednie instrukcje od takiej osoby.



- Czyścić zbiornik wody co 3 dni.

Ilustracje produktu, akcesoriów i interfejsu użytkownika przedstawione w instrukcji obsługi służą jedynie jako odniesienie. Rzeczywisty produkt i funkcje mogą różnić się od przedstawionych w związku z ulepszeniami produktu.

Przegląd produktu

Działanie:

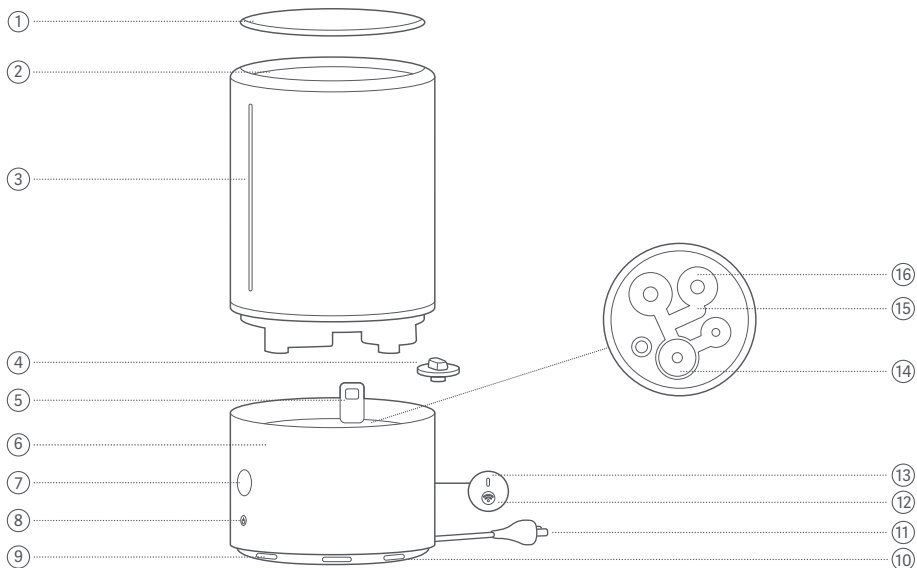
Nawilżacz generuje fale dźwiękowe o wysokiej częstotliwości 1,7 miliona wibracji na minutę i odparowuje wodę w postaci niezwykle małych cząstek 1–5 µm (mikronów), które następnie rozpraszają się w powietrzu dzięki pracy jednostki pneumatycznej. Nawilżacz pomaga utrzymać idealną temperaturę w pomieszczeniu i zapobiega tworzeniu się elektryczności statycznej.

Funkcje:

- Stylowy wygląd i znakomity kunszt
- Sterowanie komputerowe, bezpieczeństwo i dokładność
- Stała wilgotność, regulacja mgiełki i sterylizacja światła UV
- Inteligentne połączenie Wi-Fi i prostota użytkowania
- Łatwość wypełniania i wyjmowania zbiornika na wodę

Status nawilżacza	wskaźnik trybu	Wskaźnik Wi-Fi
Czuwanie	---	---
Tryb prędkości	Białe ćwiartki	---
Tryb stałej wilgotności	Białe pełne koło	---
Brak wody lub zbiornik na wodę nie został zamontowany	Czerwone pełne koło	---
Oczekiwanie na połączenie Wi-Fi...	---	Migające światło białe
Pomyślnie nawiązano połączenie Wi-Fi	---	Światło białe

Przegląd produktu



- 1 Pokrywa zbiornika na wodę
- 2 Wylot mgiełki
- 3 Zbiornik na wodę
- 4 Pokrywa ŚWIATŁA UV

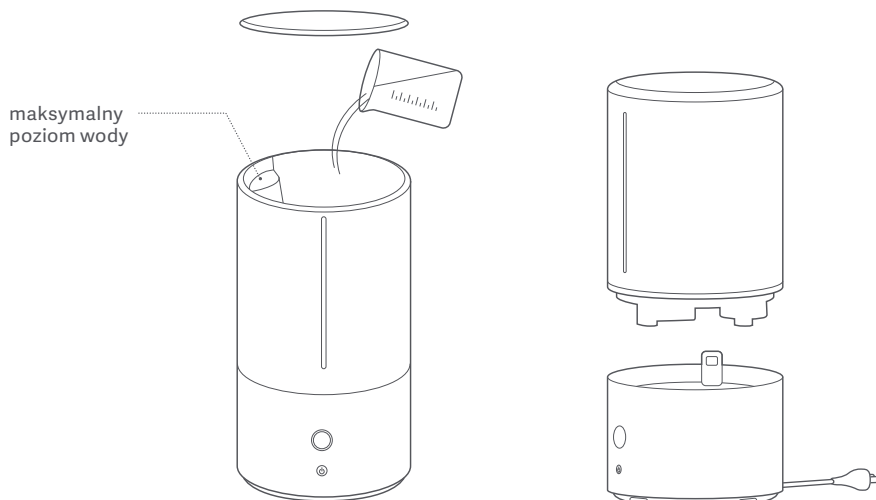
- 5 Wylot powietrza
- 6 Podstawa
- 7 Przycisk/wskaźnik trybu
- 8 Przycisk wł./wył.

- 9 Wlot powietrza
- 10 Podstawa silikonowa
- 11 Przewód zasilania
- 12 Przycisk Wi-Fi

- 13 Wskaźnik Wi-Fi
- 14 Parownik
- 15 Przewody wodne
- 16 ŚWIATŁO UV

Montaż

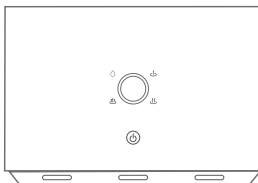
1. Zdjąć pokrywkę zbiornika na wodę, a następnie wypełnić go do maksymalnego oznaczonego poziomu.
2. Umieścić zbiornik na wodę z powrotem na podstawie.
3. Po zakończeniu montażu można przystąpić do użytkowania nawilżacza.



Uwagi:

- Nawilżacz należy umieścić na równej powierzchni.
- Należy dodać odpowiednią ilość czystej wody kranowej lub destylowanej i upewnić się, że jej poziom nie przekracza maksymalnego oznaczonego poziomu.

Użytkowanie



1. Przed podłączeniem nawilzacza do źródła prądu należy upewnić się, że napięcie robocze odpowiada napięciu gniazdka elektrycznego. Po włączeniu rozlegnie się słyszalny dźwięk, nawilżacz przejdzie w tryb gotowości, a wskaźnik Wi-Fi zacznie migać.
2. Włączanie nawilzacza: Naciśnij przycisk wł./wył. – nawilżacz wygeneruje sygnał i zacznie nawilżać. Tryb prędkości jest ustawiony domyślnie jako niski – świeci się 1/4 kolistego wskaźnika. Po wyłączeniu nawilżacz będzie pamiętać ostatni używany tryb, a po włączeniu uruchomi się w tym trybie.
3. Wyłączanie nawilzacza: Naciśnij przycisk wł./wył. – nawilżacz zadzwieczy i wyłączy się. Następnie wyłączy się wskaźnik i światło zbiornika na wodę.
4. Zmiana trybu: Naciśnij przycisk, aby zmieniać tryby i wybierać między niską, średnią i wysoką prędkością i trybem ciągłego nawilżania; zapali się kolejno 1/4, 1/2, 3/4 wskaźnika, a następnie cały wskaźnik.
Uwaga: W trybie ciągłego nawilżania poziom względnej wilgotności ustawiony jest domyślnie na 60%.
5. Przycisk Wi-Fi: Po uruchomieniu nawilzacza naciśnij i przytrzymaj przycisk Wi-Fi przez trzy sekundy. Nawilżacz zadzwieczy dwukrotnie, a wskaźnik Wi-Fi zacznie migać na biało, oczekując na połączenie. Po pomyślnym połączeniu z telefonem Użytkownika wskaźnik Wi-Fi zmieni kolor na biały. Aby włączyć i wyłączyć funkcję oraz wskaźnik Wi-Fi, naciśnij przycisk Wi-Fi. Po wyłączeniu funkcji Wi-Fi sieć między nawilżaczem a telefonem Użytkownika zostanie przerwana.
6. Kontrolka świetlna: Aby włączyć lub wyłączyć światło zbiornika na wodę i wskaźnik trybu, naciśnij i przytrzymaj przycisk trybu przez trzy sekundy po uruchomieniu nawilzacza.
Uwaga: Nawilżacz pracuje normalnie, gdy światło zbiornika na wodę jest wyłączone. Dźwięki dotykowe można włączyć/wyłączyć za pośrednictwem aplikacji Mi Home/Xiaomi Home.
7. Ochrona suchobiegu: Jeśli w zbiorniku brak wody lub jeśli wyjęto go z podstawy, nawilżacz zadzwieczy trzy razy. Następnie nawilżacz przejdzie w tryb gotowości, a kolisty wskaźnik zmieni kolor na czerwony. Wypełnienie zbiornika lub umieszczenie go w podstawie spowoduje wznowienie pracy nawilzacza.

Dbanie o urządzenie i konserwacja

1. Przed przystąpieniem do czyszczenia należy odłączyć nawilżacz od źródła prądu.
2. Przewody wodne można czyścić bezpośrednio czystą, miękką i wilgotną szmatką.
3. Zaleca się czyszczenie rurek wodnych i parownika raz w tygodniu. Jeśli w przewodach osadził się kamień, można do nich wlać trochę kwasu cytrynowego; kamień powinien się rozpuścić. Następnie należy użyć wacików lub miękkiej szczoteczki, aby usunąć resztki kamienia i opłukać przewody wodą.

Uwaga: duże ilości brudu lub kurzu w przewodach wodnych spowoduje, że nawilżacz będzie generował niski poziom wilgotności. Jeśli do tego dojdzie, należy wyczyścić przewody; nawilżacz powinien wznowić niezakłóconą pracę.

Przestrogi

Transport

- Przed przystąpieniem do przenoszenia nawilżacza wyłącz go i odłącz od zasilania.
- Przed przystąpieniem do przenoszenia lub transportu nawilżacza opróżnij zbiornik na wodę.

Montaż

- Aby uniknąć porażenia prądem elektrycznym, pożaru, urazu ciała lub innych zniszczeń, należy upewnić się, że nawilżacz jest prawidłowo zmontowany, zgodnie z instrukcją.
- Nie podłączaj nawilżacza do gniazdka, jeśli nie został całkowicie zmontowany.
- Nie rozmontowywać nawilżacza.

Umieszczanie

- Aby uniknąć uszkodzenia zbiornika wody spowodowanego nagłą zmianą temperatury, nawilżacz należy pozostawić w temperaturze pokojowej 30 minut przed użyciem.
- Nawilżacz należy umieszczać na płaskiej, równej powierzchni.
- Aby zapobiec rozprzestrzenianiu się wilgoci i uszkodzeniu podłogi, nie umieszczać nawilżacza bezpośrednio na drewnianych podłogach.
- Aby uniknąć uszkodzeń spowodowanych wilgocią, nie umieszczać nawilżacza w odległości mniejszej niż 2 metry od mebli i urządzeń.
- Trzymać nawilżacz z dala od źródeł ciepła i unikać wystawiania go na bezpośrednie działanie słońca.

Przestrogi

- Nie umieszczać zbiornika na wodę bezpośrednio na stole lub podłodze. Przed umieszczeniem należy go opróżnić.

Przewód zasilania

Aby zapobiec ryzyku pożaru, porażenia prądem elektrycznym i zniszczenia urządzenia, należy używać przewodu zasilania i gniazdka elektrycznego zgodnie z poniższymi instrukcjami:

- Przewód zasilania należy podłączać do odpowiedniego gniazdka elektrycznego.
- Nie ciągnąć za przewód zasilania.
- Przed przystąpieniem do prac konserwacyjnych lub przemieszczania nawilżacza należy zawsze odłączyć go od źródła prądu.

Zbiornik na wodę

- Nie dodawać do zbiornika olejków eterycznych, perfumów ani środków dezynfekujących, gdyż może to spowodować uszkodzenie produktu lub uraz ciała.
- Aby uniknąć uszkodzenia nawilżacza, nie dodawać wody o temperaturze ponad 40°C do zbiornika na wodę ani do przewodów wodnych.
- Upewnić się, że woda nie przedostaje się do podstawy poprzez wylot powietrza. Jeśli do tego dojdzie, zetrzeć wodę suchą szmatką, aby uniknąć uszkodzenia nawilżacza.
- Nie używać nawilżacza w środowiskach o temperaturze poniżej 0°C, ponieważ woda w zbiorniku może ulec zamrożeniu i uszkodzić nawilżacz. W takich środowiskach należy zawsze opróżnić zbiornik na wodę i przewody wodne.
- Nie umieszczać metalowych przedmiotów ani nie dodawać substancji chemicznych i detergentów do przewodów wodnych. W przeciwnym razie powstająca para może zawierać szkodliwe substancje.
- Przed opróżnieniem zbiornika na wodę należy zawsze wyłączać nawilżacz i odłączać go od źródła prądu.

Dodawanie wody

- Przed dodaniem wody lub przystąpieniem do czyszczenia nawilżacza należy odłączyć go od źródła prądu.
- Nie dodawać wody poprzez wylot mgiełki ani wylot powietrza.
- Nie przekraczać maksymalnego oznaczonego poziomu.

Podczas użytkowania

- Po włączeniu nawilżacza włączy się światło UV i funkcja sterylizacji. Po wyłączeniu nawilżacza wyłączy się światło UV i funkcja sterylizacji.

Przestrogi

Podczas użytkowania

- Mechanizm światła UV wyposażony jest w pokrywę, która zapobiega przedostawaniu się światła UV podczas użytkowania urządzenia. Pokrywę można zdjąć do czyszczenia.
- Jeśli nawilżacz emituje nietypowe dźwięki, generuje nieprzyjemne zapachy lub się przegrzewa, należy natychmiast przerwać użytkowanie.
- Trzymać włosy i tkaniny z dala od nawilżacza, aby uniknąć dostania się ich lub zablokowania we wlotach i wylotach.
- Nie wolno siadać, opierać się ani przechylać nawilżacza.
- Używając nawilżacza wraz z urządzeniami gazowymi, takimi jak kuchenki czy grzejniki, należy upewnić się, że wentylacja jest wystarczająca; pozwoli to uniknąć zatrucia tlenkiem węgla.
- Nie przesuwać nawilżacza podczas użytkowania. Przed przemieszczeniem urządzenia, przystąpieniem do czyszczenia lub dodaniem wody należy je wyłączyć i odłączyć od źródła prądu.

Ograniczenia w użytkowaniu

Aby uniknąć ryzyka pożaru, porażenia prądem elektrycznym lub uszkodzeń, nawilżacza nie wolno używać w następujących sytuacjach:

- Nawilżacz należy zawsze umieszczać na równej powierzchni, w przeciwnym razie odczyt poziomu wody może być nieprawidłowy, a zbiornik na wodę może się przepełnić.
- Napięcie gniazdka elektrycznego musi być równe napięciu nawilżacza. Nie używać urządzenia, jeśli napięcia nie są równe i skontaktować się ze sprzedawcą.
- Nawilżacza można używać tylko w normalnej temperaturze pokojowej (od 5°C do 40°C).

Czyszczenie

- Podczas czyszczenia unikać przedostawania się wody do nawilżacza.

Dane techniczne

Nazwa: Antybakteryjny nawilżacz
powietrza Mi Smart

Masa netto: 1.9 kg
Emisja hałasu: ≤38 dB

Dane techniczne

Model: ZNJSQ01DEM

Znamionowe wejściowe: 25 W

Napięcie znamionowe: 220-240 V-

Częstotliwość znamionowa: 50/60 Hz

Pojemność zbiornika na wodę: 4.5 L

Specyfikacja RF: 2,4 G Wi-Fi

Maksymalna moc wyjściowa: <20 dBm

Maks. pojemność nawilżania: 300 mL/h

Wymiary pozycji: 190 × 190 × 353 mm

Materiały: ABS, PC i PA

Łączność bezprzewodowa: Wi-Fi IEEE 802.11 b/g/n 2.4

GHz

Częstotliwość robocza: 2412-2472 MHz

CID: WFA97113

Połącz z aplikacją Mi Home/Xiaomi Home

Ten produkt współpracuje z aplikacją Mi Home/Xiaomi Home*. Aplikacja Mi Home/Xiaomi Home umożliwia sterowanie urządzeniem i wchodzenie z nim w interakcje przy użyciu innych inteligentnych urządzeń domowych. Zeskanuj kod QR, aby pobrać i zainstalować aplikację. Jeśli aplikacja jest już zainstalowana, nastąpi przekierowanie do strony konfiguracji połączenia. Aby pobrać i zainstalować aplikację, możesz też wyszukać nazwę „Mi Home/Xiaomi Home” w sklepie z aplikacjami. Otwórz aplikację Mi Home/Xiaomi Home, naciśnij przycisk „+” w górnym prawym rogu ekranu i wykonaj polecenia, aby dodać urządzenie.

* Nazwa aplikacji Xiaomi Home obowiązuje w Europie (za wyjątkiem Rosji). Nazwa aplikacji wyświetlana w urządzeniu użytkownika jest obowiązująca.



Uwaga: Wersja aplikacji mogła zostać uaktualniona. Wykonuj instrukcje bieżącej wersji aplikacji.

Szczegółową elektroniczną instrukcję obsługi można znaleźć na stronie www.mi.com/global/service/userguide



- يمكن للأطفال في سن 8 أعوام أو أكبر استخدام هذا الجهاز، وكذلك من يعانون من إعاقات جسدية أو حسية أو عقلية أو لديهم نقص في الخبرة والمعلومات، في حالة تقديم الإشراف أو التعليمات بخصوص استخدام الجهاز بطريقة آمنة وفهم المخاطر المتعلقة به. على الأطفال عدم العبث بالجهاز. ينبغي أن لا تتم عملية تنظيف وصيانة الجهاز بواسطة المستخدم بواسطة الأطفال دون إشراف.
- هذا الجهاز غير مخصص للاستخدام بواسطة أطفال أو أشخاص يعانون من إعاقات جسدية أو حسية أو عقلية أو لديهم نقص في الخبرة والمعلومات إلا إذا خضعوا للإشراف أو تم تزويدهم بالإرشادات المتعلقة باستخدام الجهاز من قبل شخص مسؤول عن سلامتهم.
- يجب مراقبة الأطفال للتأكد من أنهم لا يعبثون بالجهاز.
- في حالة تلف سلك التيار الكهربائي يجب استبداله من قبل الجهة المصنعة أو وكيل الخدمة التابع لها أو أشخاص مؤهلين لتجنب المخاطر.
- أ- انتبه إلى أن مستويات الرطوبة المرتفعة ربما تحفز على نمو الكائنات البيولوجية في البيئة.
- لا تسمح بأن تصبح المنطقة المحيطة بالمرطب رطبة أو مبتلة. في حال ظهور رطوبة، قم بثني مخرج المرطب لأسفل. في حال لم تتمكن من ثني مخرج المرطب، استخدم المرطب بصورة متقطعة. لا تسمح بأن تصبح المواد الممتصة مثل السجاد والستائر مفارش المادئة رطبة.
- قم بفصل الجهاز أثناء التعبئة والتنظيف.
- لا تترك الماء مطلقاً في الخزان عندما لا يكون الجهاز في حالة استخدام.
- قم بتفريغ وتنظيف المرطب قبل التخزين. نظف المرطب قبل الاستخدام التالي.

- **تحذير:** يمكن ان تنمو الكائنات الدقيقة التي ربما تكون موجودة في الماء أو في البيئة التي يتم استخدام الجهاز او حفظه فيها، في خزان المياه ويتم نفثها في الهواء مما يتسبب بمخاطر صحية حادة عندما لا يتم تجديد الماء وعدم تنظيف الخزان بصورة صحيحة كل 3 أيام.
- جيب توخي الحذر عند استخدام الجهاز بسبب انبعاث بخاز الماء الساخن.
- نظف خزان الماء كل 3 أيام.
- ربما يحتوي الجهاز على باعث أشعة فوق بنفسجية. لا تحقق في مصدر الضوء.
- أثناء الاستخدام العادي، يجب إبقاء هذا الجهاز على مسافة لا تقل عن 20 سم بين الهوائي وجسم المستخدم.

تعليمات الأمان

- لا تقم بتوصيل أو فصل مرطب الهواء من مصدر الطاقة بيدين مبتلئين لتجنب التعرض لخطر الصعقات الكهربائية.
- لا تحاول تفكيك أو إصلاح أو تعديل مرطب الهواء بنفسك.
- لا تلمس المبخر عند تشغيل مرطب الهواء، وإلا فإنك ربما تشعر بلسعة.
- لا تثني أو تطف أو تضع أشياء ثقيلة على سلك الطاقة وذلك لتجنب التعرض لخطر الصعقات الكهربائية أو التسبب بماس كهربائي أو حريق.
- قم بفصل مرطب الهواء من التيار الكهربائي على الفور إذا كان هناك خطأ أثناء الاستخدام واتصل بخدمة ما بعد البيع.
- لتجنب التعرض لأي مخاطر على السلامة، يجب استبدال سلك الطاقة بواسطة الشركة المصنعة أو قسم ما بعد البيع في حال تلف سلك الطاقة أو انقطاعه.
- أثناء عمل مرطب الهواء، لا تقم بإزالة خزان المياه من القاعدة ولا تلمس مطلقاً قنوات المياه أو أي مكونات داخل الخزان.
- تم تصميم مرطب الهواء هذا للاستخدام المنزلي فقط.
- قم بفصل مرطب الهواء من التيار الكهربائي أثناء العواصف الرعدية أو عندما لا تنوي استخدامه لفترة ممتدة من الزمن.
- لا تقلب مرطب الهواء من أعلى لأسفل عندما يكون في وضع العمل أو عندما يكون هناك مياه في الخزان وذلك لتجنب إتلاف المكونات الإلكترونية الداخلية.
- مرطب الهواء هذا غير مخصص للاستخدام بواسطة أطفال أو أشخاص يعانون من إعاقات جسدية أو حسية أو عقلية أو لديهم نقص في الخبرة والمعلومات (بما في ذلك الأطفال) إلا إذا خضعوا للإشراف أو تم تزويدهم بالإرشادات المتعلقة باستخدام الجهاز من قبل شخص مسؤول عن سلامتهم.

نظف خزان الماء كل 3 أيام -



الرسوم التوضيحية للمنتج والملحقات وواجهة المستخدم في دليل المستخدم يتم توفيرها كمرجع فقط. وقد يختلف المنتج والوظائف الفعلية بسبب إدخال تحسينات على المنتج.

نظرة عامة حول المنتج

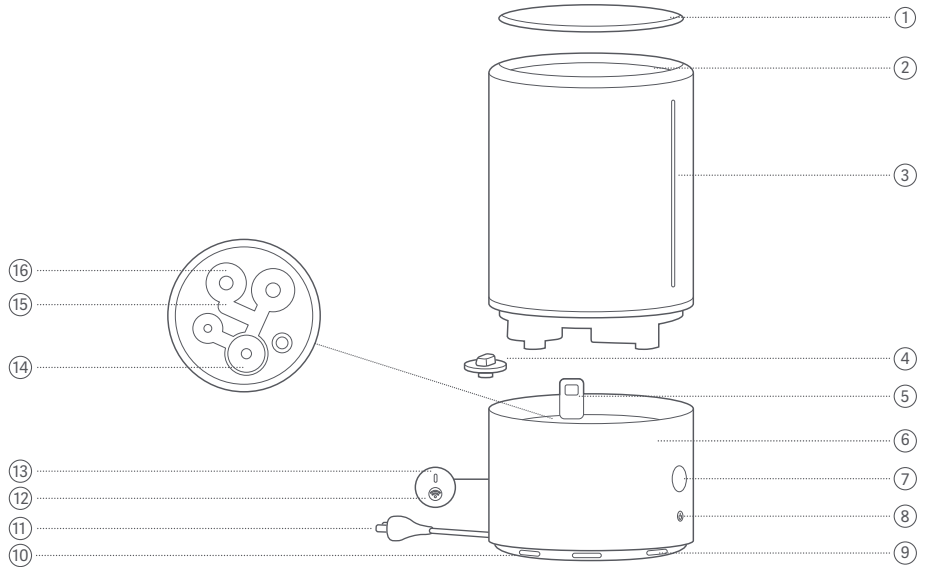
عملية التشغيل:

من خلال الموجات فوق الصوتية العالية التردد بواقع 1.7 مليون ذبذبة في الثانية، يقوم مرطب الهواء بتبخير الهواء وتحويله إلى جزئيات فائقة الدقة 1-5 ميكرون (um)، والتي يتم بعد ذلك رذاذها وتحويلها إلى هواء عبر وحدة تعمل بالهواء المضغوط. يمكن لمرطب الهواء المساعدة في الحفاظ على المستوى المثالي من الرطوبة في الغرفة ويمنع توليد الكهرباء الساكنة.

الميزات:

- مظهر عصري ودقة رائعة في الصنع
- تحكم ميكرو كمبيوتر، آمن ودقيق
- رطوبة ثابتة وضبط للضباب وتعقيم بضوء الأشعة فوق البنفسجية.
- اتصال واي فاي ذكي وسهولة في الاستخدام
- سهولة في تعبئة وسهولة في إزالة خزان المياه

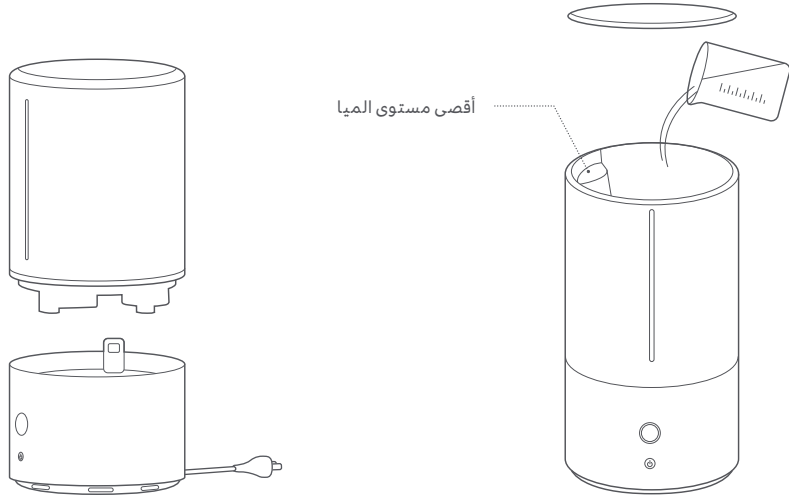
حالة مرطب الهواء	مؤشر الوضع	مؤشر واي فاي
الاستعداد	---	---
وضع السرعة	الأرباع البيضاء	---
وضع الرطوبة الغاتبة	دائرة كامة بالأبيض	---
لا يوجد مياه أو خزان المياه غير مثبت	دائرة كاملة بالأحمر	---
بانتظار اتصال واي فاي ...	---	وميض باللون الأبيض
تم الاتصال بشبكة واي فاي بنجاح	---	أبيض



- | | | | | | | | |
|----|--------------------------|----|--------------|---|------------------------|---|-------------------------------|
| 13 | زر واي فاي | 9 | مدخل الهواء | 5 | مخرج الهواء | 1 | غطاء خزان المياه |
| 14 | المبخر | 10 | قاعدة سيلكون | 6 | القاعدة | 2 | مخرج الضباب |
| 15 | قنوات المياه | 11 | سلك الطاقة | 7 | زر/مؤشر الوضع | 3 | خزان المياه |
| 16 | ضوء الأشعة فوق البنفسجية | 12 | مؤشر واي فاي | 8 | زر التشغيل/إيقاف تشغيل | 4 | غطاء ضوء الأشعة فوق البنفسجية |

التثبيت

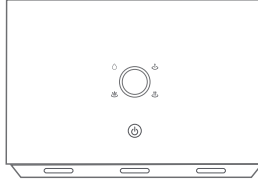
1. قم بإزالة غطاء خزان المياه وأضف المياه حتى الوصول إلى علامة الحد الأقصى للمياه.
2. أعد تركيب خزان المياه على القاعدة.
3. يمكنك البدء باستخدام مرطب الهواء فور الانتهاء من عملية التركيب.



الملاحظات:

- يجب وضع مرطب الهواء على سطح مستو.
- أضف كمية مناسبة من مياه الصنبور النظيفة أو المياه المقطرة، وتأكد من عدم تجاوز علامة الحد الأقصى للمياه.

طريقة الاستخدام



1. قبل توصيل مرطب الهواء بالتيار الكهربائي، تأكد من أن فولتية التشغيل مطابقة للفولتية على مخرج الطاقة. سوف يصدر مرطب الهواء صوت صفرة عند تشغيله ثم يدخل في وضع الاستعداد ويكون مؤشر واي فاي في حالة وميض.
2. تشغيل مرطب الهواء: اضغط على زر التشغيل/إيقاف التشغيل، سيصدر مرطب الهواء صوت تنبيه و يبدأ بعملية الترطيب. وضع السرعة الافتراضية هو منخفض، مع إضاءة 4/1 من المؤشر المستدير. سيتذكر مرطب الهواء آخر وضع مستخدم عند إيقاف تشغيله، وسيبدأ بذلك الوضع عن تشغيله.
3. إيقاف تشغيل مرطب الهواء: اضغط على زر التشغيل/إيقاف التشغيل، وسيصدر مرطب الهواء صوت تنبيه ويتوقف عن التشغيل. بعد ذلك سينطفئ ضوء المؤشر وخزان الماء.
4. تبديل الوضع: اضغط على زر الوضع للتقليل بين وضع السرعة المنخفضة، السرعة المتوسطة، السرعة العالية، ووضع الترطيب الثابت، مع إضاءة 4/1، 2/1، 4/3، وكامل المؤشر الدائري المطابق.
- ملاحظة: في الإعدادات الافتراضية، سحافظ مرطب الهواء على رطوبة نسبية بواقع 60% عندما يكون في وضع الرطوبة الثابتة.
5. زر Wi-Fi: اضغط مع الاستمرار على زر Wi-Fi لمدة ثلاث ثوانٍ عندما يكون مرطب الهواء في وضع التشغيل. سيصدر مرطب الهواء صوت تنبيه مرتين وسيبدأ مؤشر Wi-Fi بالوميض باللون الأبيض للإشارة إلى أنه في انتظار اتصال. بمجرد اتصال مرطب الهواء بهاتفك، سيتحول مؤشر Wi-Fi على الأبيض. يمكنك الضغط على زر Wi-Fi لتشغيل أو إيقاف تشغيل وظيفة Wi-Fi ومؤشر Wi-Fi. عند تعطيل وظيفة Wi-Fi، يتم قطع اتصال الشبكة بين مرطب الهواء وهاتفك.
6. التحكم بالوضع: لتشغيل أو إيقاف تشغيل ضوء خزان الماء ومؤشر الوضع، اضغط مع الاستمرار بالضغط على زر الوضع لمدة ثلاث ثوانٍ عندما يكون مرطب الهواء في وضع التشغيل.
- ملاحظة: يعمل مرطب الهواء بصورة طبيعية إذا كان ضوء خزان الماء متوقف. يمكن تمكين/تعطيل أصوات اللمس عبر تطبيق Mi Home/Xiaomi Home.
7. الحماية من التشغيل الجاف: في حال نفاذ المياه من خزان الماء أو إزالته من القاعدة، سيصدر مرطب الهواء صوت تنبيه ثلاث مرات. بعد ذلك يدخل مرطب الهواء في وضع الاستعداد، وسيتحول لون المؤشر الدائري إلى الأحمر. من خلال إعادة تعبئة الماء أو إعادة تركيب خزان الماء على القاعدة، يمكن لمرطب الهواء استئناف العمل.

العناية اليومية والصيانة

1. قم دائماً بفصل مرطب الهواء من التيار الكهربائي قبل تنظيفه.
 2. يمكن تنظيف قنوات المياه مباشرة بقطعة قماش نظيفة وناعمة ورطبة.
 3. ينصح بتنظيف قنوات المياه والمixer مرة واحدة في الأسبوع. إذا كان هناك كلس وترسبات في القنوات، يمكنك صب القليل من حمض الستريك لتذويبها والتخلص منها. ثم استخدم ممسحات من القطن أو فرشاة ناعمة لإزالة الكلس والترسبات وقم بشطف القنوات بالماء بعد ذلك.
- ملاحظة: وجود الكثير من الأوساخ أو الصدأ في قنوات المياه من شأنه أن يتسبب بإضعاف قدرة الترطيب لمرطب الهواء. في حال حدوث ذلك، يرجى تنظيف القنوات لاستئناف عمل مرطب الهواء بصورة طبيعية.

التدابير الوقائية

النقل

- ينبغي عليك إيقاف تشغيل مرطب الهواء وفصله عن التيار قبل نقله.
- عند نقل أو تحريك مرطب الهواء، يرجى تفريغ خزان المياه أولاً.

التثبيت

- لتجنب التعرض لصعقات كهربائية، أو نشوب حريق أو إصابة شخصية أو ضرر آخر، تأكد من تركيب مرطب الهواء بصورة صحيحة طبقاً للتعليمات.
- لا تقم بتوصيل مرطب الهواء بمقبس الطاقة إذا لما يكن مجمعاً بالكامل.
- لا تقم بتفكيك مرطب الهواء.

التثبيت في المكان الملائم

- لتجنب تعرض خزان المياه للضرر بسبب التغيرات المفاجئة في درجة الحرارة، يرجى ترك مرطب الهواء في درجة حرارة الغرفة لمدة 03 دقيقة قبل استخدامه.
- ضع مرطب الهواء على سطح مسطح ومستوي.
- لا تضع مرطب الهواء مباشرة على أرضيات خشبية وذلك لتجنب تعرض الأرضية للتلف بسبب الرطوبة.
- لتجنب الضرر الناجم عن الرطوبة، لا تضع مرطب الهواء على مسافة تقل عن 2 متر من الأثاث والأجهزة المنزلية.
- حافظ على بقاء مرطب الهواء بعيداً عن مصادر الحرارة وتجنب تعريضه لأشعة الشمس المباشرة.
- لا تضع خزان المياه مباشرة على طاولة أو أرضية. قم بتفريغه أولاً قبل وضعه بصورة منفصلة.

العناية اليومية والصيانة

سلك الطاقة

- لتجنب مخاطر الحريق أو الصعقات الكهربائية أو غيرها من الأضرار، استخدم سلك الطاقة ومقابس الكهرباء على النحو الموضح أدناه:
- يجب توصيل سلك الطاقة بمقابس كهربائي مناسب.
- لا تقم بإزالة سلك الطاقة بحسب السلك.
- دائماً قم بفصل مرطب الهواء من التيار الكهربائي قبل القيام بأي صيانة أو إزالة له.

خزان المياه

- لا تقم بإضافة زيت أساسي أو مادة معطرة أو مطهر إلى خزان الماء لتجنب التسبب بتلف للمنتج أو إصابة شخصية.
- لا تصف مياه حرارتها فوق 40 درجة مئوية إلى خزان المياه أو قنوات المياه لتجنب تعرض مرطب الهواء للتلف.
- لا تسمح بتدفق المياه إلى القاعدة عبر مخرج الهواء. إذا كان هناك مياه على القاعدة، قم بمسحها بقطعة قماش جافة لتجنب تعرض مرطب الهواء للتلف.
- لا تستخدم مكيف الهواء في بيئات تكون فيها درجة الحرارة ما دون 0 درجة مئوية، حيث أن المياه في الخزان ربما تتجمد وتتسبب بتلف مرطب الهواء. أفرغ المياه دائماً من خزان المياه وقنوات المياه في تلك البيئات القاسية.
- لا تضع أي أشياء معدنية ولا تصف أي مواد كيميائية أو منظفات إلى قنوات المياه، وإلا فإن ذلك سوف يتسبب بعملية تبخير غير صحية.
- افصل مرطب الهواء من التيار الكهربائي دائماً قبل صب المياه من قنوات المياه للخارج.

إضافة المياه

- افصل مرطب الهواء من التيار الكهربائي عند إضافة المياه أو تنظيفه.
- لا تقم بإضافة المياه عبر مخرج الضباب ومخرج الهواء.
- لا تتجاوز علامة الحد الأقصى للمياه عند إضافة المياه.

أثناء الاستخدام

- عند تشغيل مرطب الهواء، يعمل ضوء الأشعة فوق البنفسجية ويتم تمكين وظيفة التعقيم. عند إيقاف تشغيل مرطب الهواء، يتوقف ضوء الأشعة فوق البنفسجية عن العمل ويتم تعطيل وظيفة التعقيم.
- يكون ضوء الأشعة فوق البنفسجية مجهزاً بغطاء وذلك لمنع تسرب ضوء الأشعة فوق البنفسجية أثناء الاستخدام. يمكن إزالة الغطاء للتنظيف.
- توقف عن استخدام مرطب الهواء على الفور في حال صدور صوت غير معتاد أو خروج رائحة كريهة أو زيادة في السخونة.
- حافظ على بقاء الشعر والأقمشة بعيدة عن مرطب الهواء وذلك لمنعها من الوقوع في المداخل والمخارج وسدها.
- لا تجلس على مرطب الهواء أو تتكئ عليه أو تعرضه للإمالة.
- عند استخدام مرطب الهواء بالتزامن مع أجهزة تعمل بالغاز بما في ذلك أفران الغاز وسخانات الغاز، تأكد من وجود تهوية كافية لتفادي التسمم بغاز أول أكسيد الكربون.

العناية اليومية والصيانة

- لا تحرك مرطب الهواء أثناء الاستخدام. قم بإيقاف تشغيل مرطب الهواء وفصله من التيار الكهربائي قبل نقله أو تنظيفه أو إضافة المياه

قيود الاستخدام

- لا تستخدم مرطب الهواء في الحالات التالية، وذلك لتفادي التعرض لصدمة كهربائية أو حريق أو غيرها من الأضرار:
- ضع مرطب الهواء دائما على أرضية مستوية وإلا فإن قراءة مستوى المياه ربما لا تكون صحيحة أو ربما يفيض خزان المياه.
- ينبغي أن تكون فولتية مخرج الطاقة مطابقة لفولتية مرطب الهواء. لا تستخدم مرطب الهواء إذا كانت الفولتية غير مطابقة واتصل بالبائع في منطقتك.
- استخدم مرطب الهواء فقط في درجات حرارة الغرفة العادية (5 درجة مئوية إلى 04 درجة مئوية).

التنظيف

- تجنب دخول المياه إلى مرطب الهواء أثناء التنظيف.

المواصفات

الاسم: مرطب الهواء الذكي من Mi المكافح للبكتيريا	الوزن الصافي: 1.9 كلغم
الطرز: ZNJSQ01DEM	انبعاث الضوء: ≥38 ديسيبل
الإدخال المقدر: 25 واط	قدرة الترطيب القصوى: 300 مليلتر/ الساعة
الجهد المقدر: 220-240 فولت	أبعاد المنتج: 353 × 190 × 190 ملم
التردد المقدر: 50/60 هرتز	الاتصال اللاسلكي: جيجهرتز 2.4 b/g/n IEEE 802.11 Wi-Fi
سعة خزان المياه: 4.5 لتر	تردد العمل: 2412-2472 ميغاهيرتز
مواصفات الترددات اللاسلكية: واي فاي 2.4 جيجا	المواد: PA، PC و ABS
الحد الأقصى لطاقة الخرج: >20 ديسيبل مللي واط	WFA97113 :CID

Mi Home/Xiaomi Home الاتصال بتطبيق

يعمل هذا المنتج مع تطبيق* Mi Home/Xiaomi home . تحكم في جهازك وتفاعل معه وغيره من أجهزة المنزل الذكية من خلال تطبيق Mi Home/Xiaomi home*.

امسح كود QR ضوئيًا لتنزيل التطبيق وتثبيته. سيتم توجيهك إلى صفحة إعداد الاتصال في حال كان التطبيق مثبتًا بالفعل. أو ابحث عن "Mi Home/Xiaomi home" في متجر التطبيقات لتنزيله وتثبيته. افتح تطبيق "Mi Home/Xiaomi home"، واضغط على "+" في أعلى الجانب الأيسر، ثم اتبع المطالبات لإضافة جهازك.

* تتم الإشارة إلى التطبيق باسم تطبيق Xiaomi Home في أوروبا (عدا روسيا). وينبغي التعامل مع اسم التطبيق الذي يظهر على جهازك على أنه افتراضي.



ملاحظة: ربما قد تم تحديث إصدار التطبيق، الرجاء اتباع التعليمات استنادًا إلى إصدار التطبيق الحالي.



· For further information, please go to www.mi.com
Manufactured for: Xiaomi Communications Co., Ltd.
Manufactured by: Guangdong Deerma Technology Co., Ltd.
(a Mi Ecosystem company)
Address: No.4-1 Longhui Road, Malong Village Committee, Beijiao Town, Shunde District,
Foshan City, Guangdong Province, China

· Para obtener más información, visite www.mi.com.
Fabricado para: Xiaomi Communications Co., Ltd.
Fabricado por: Guangdong Deerma Technology Co., Ltd.
(una empresa Mi Ecosystem)
Dirección: No.4-1 Longhui Road, Malong Village Committee, Beijiao Town, Shunde District,
Foshan City, Guangdong Province, China

· Чтобы получить дополнительную информацию, посетите сайт www.mi.com
Изготовлен для: Xiaomi Communications Co., Ltd.
Изготовитель: Guangdong Deerma Technology Co., Ltd.
(компания Экосистемы Mi)
Адрес: No.4-1 Longhui Road, Malong Village Committee, Beijiao Town, Shunde District,
Foshan City, Guangdong Province, China

· Pour plus d'informations, rendez-vous sur www.mi.com
Fabriqué pour: Xiaomi Communications Co., Ltd.
Fabricant: Guangdong Deerma Technology Co., Ltd.
(une société Mi Ecosystem)
Adresse: No.4-1 Longhui Road, Malong Village Committee, Beijiao Town, Shunde District,
Foshan City, Guangdong Province, China

· Per ulteriori informazioni, visitare il sito www.mi.com
Fabbricato per: Xiaomi Communications Co., Ltd.
Fabbricato da: Guangdong Deerma Technology Co., Ltd.
(un'azienda del Mi Ecosystem)
Indirizzo: No.4-1 Longhui Road, Malong Village Committee, Beijiao Town, Shunde District,
Foshan City, Guangdong Province, China

· Weitere Informationen finden Sie auf www.mi.com
Hergestellt für: Xiaomi Communications Co., Ltd.
Hersteller: Guangdong Deerma Technology Co., Ltd.
(ein Unternehmen von Mi Ecosystem)
Adresse: No.4-1 Longhui Road, Malong Village Committee, Beijiao Town, Shunde District,
Foshan City, Guangdong Province, China

· Więcej informacji: www.mi.com
Wyprodukowano dla: Xiaomi Communications Co., Ltd.
Producent: Guangdong Deerma Technology Co., Ltd.
(spółka Mi Ecosystem)
Adres: No.4-1 Longhui Road, Malong Village Committee, Beijiao Town, Shunde District,
Foshan City, Guangdong Province, China

· غقوم ىلى لى لاقنت الاءارلا ،تامولعمل نم دىزم : www.mi.com
Xiaomi Communications Co., Ltd. :له لآ نمصم له جة ل:
Guangdong Deerma Technology Co., Ltd. :ةطساوب غنص:
(ملاشل ال Mi ماطن تاكرش ىدح)|
No.4-1 Longhui Road, Malong Village Committee, Beijiao Town, Shunde District, :ناونعل:
Foshan City, Guangdong Province, China