

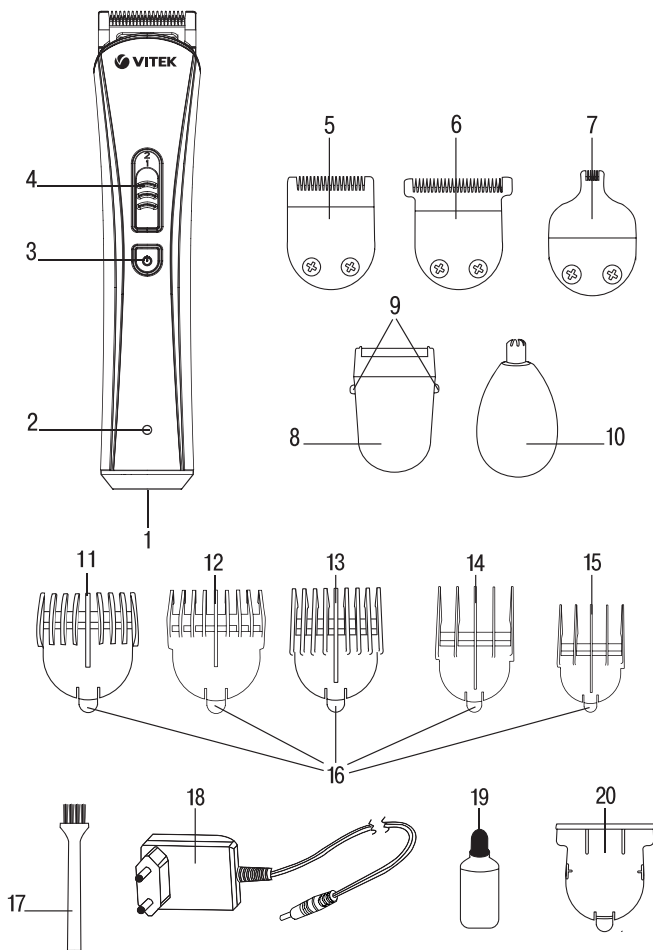
VT-2548 BK

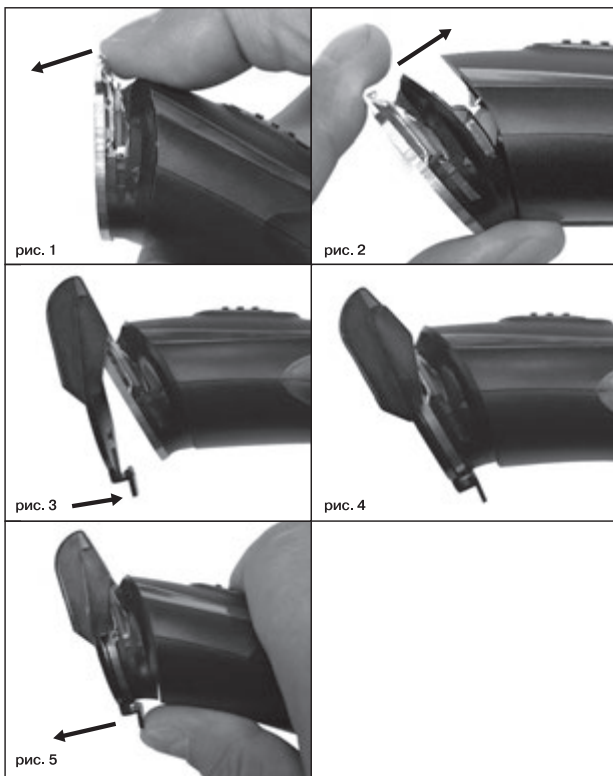
Hair trimmer

Триммер
для волос

Инструкция по эксплуатации

GB Manual instruction	4
RUS Инструкция по эксплуатации	11
KZ Пайдалану нұсқасы	20
UA Інструкція з експлуатації	28





ENGLISH

HAIR TRIMMER VT-2548 BK

The trimmer is intended for cutting, trimming and adjusting hair. Attachments of different size are supplied with the unit for easy hair and body care. Mechanical blade height adjustment function allows setting the hair length which you think is optimal (from 0.4 mm to 1.8 mm).

DESCRIPTION

1. AC/DC adapter connection socket
2. Charging indicator
3. Power ON/OFF button «»
4. Blade height switch 0.4/0.8/1.8 mm
5. Blade block 30 mm – U blade
6. Blade block 40 mm – T blade
7. Blade block for short hair (detail attachment)
8. Shaving attachment
9. Outer shaving block release buttons
10. Trimmer for cutting hair in the ears and nose.
11. 1.6 mm attachment comb
12. 3 mm attachment comb
13. 6 mm attachment comb
14. 9 mm attachment comb
15. 13 mm attachment comb
16. Attachment lock
17. Cleaning brush
18. Power adapter
19. Lubricating oil
20. Blade block protective cover

SAFETY MEASURES

Read this instruction manual carefully before using the unit and keep it for future reference for the whole unit operation period. Use the unit for its intended purpose only, as specified in this manual. Mishandling of the unit may lead to its breakage and cause harm to the user or damage to his/her property.

- Before the first connecting the unit to the mains for battery charging, make sure that your home mains voltage corresponds to the power adapter operating voltage.

- The power adapter cord must not:
 - touch hot objects and surfaces;
 - be immersed into water;
 - run over sharp edges of furniture;
 - be used as a handle for carrying the unit.
- The outer shaving net of the shaving attachment is very thin, to avoid damaging the shaving net do not apply excessive effort while shaving or cleaning.
- To avoid injuries, do not use the shaver with damaged outer shaving net or inner cutting block.
- Be careful when using the trimmer for cutting hair in the ears and nose. Insert only the metal tip of the trimmer attachment into the auricle or the nostril.
- Do not touch the power adapter body with wet hands.
- Use the unit to cut only dry hair.
- Use the unit to cut only natural human hair.
- Do not use the unit to cut artificial hair and animal hair.
- Use only the attachments and the adapter supplied.
- Do not use the unit in places with high temperature and relative humidity more than 80%.
- Do not use the unit outdoors.
- Charge the battery at the temperature from +5°C to +35°C.
- Do not use the unit if the attachments or the blades are damaged.
- **ATTENTION!** *Keep the unit dry. Never immerse the unit and the power adapter into water or any other liquids.*
- Before the operation make sure that the blade block and the attachments are installed properly.
- Switch the unit off before installing and removing the attachments and the blade blocks.
- Do not use the unit near a bath/shower and containers filled with water. Water closeness is dangerous even if the unit is switched off with the switch.

- If the unit is dropped into water, unplug the power adapter immediately, and only then take the unit out of the water.
- Always keep the blades clean and lubricated.
- After each using clean the attachments and the blade blocks with the brush to remove the cut-off hair.
- Never leave the operating unit unattended.
- Switch the unit off during intervals in operation or when you are not using it.
- Do not allow children to touch the power adapter during the unit charging.
- Do not allow children to use the units as a toy.
- This unit is not intended for usage by children.
- During the unit operation and breaks between operation cycles, place the unit out of reach of children and disabled persons.
- The unit is not intended for usage by physically or mentally disabled persons (including children) or by persons lacking experience or knowledge if they are not under supervision of a person who is responsible for their safety or if they are not instructed by this person on the usage of the unit.
- Close supervision is necessary when children or disabled persons are near the operating unit.
- For children safety reasons do not leave polyethylene bags used as a packaging unattended.

Attention! Do not allow children to play with polyethylene bags or packaging film.

Danger of suffocation!

- Do not attempt to repair the unit. Do not disassemble the unit by yourself, if any malfunction is detected or after it was dropped, unplug the unit and apply to any authorized service center from the contact address list given in the warranty certificate and on the website www.vitek.ru.

- To avoid damages, transport the unit in the original package only.
- Keep the unit in a dry cool place out of reach of children and disabled persons.

THIS UNIT IS INTENDED FOR HOUSEHOLD USAGE ONLY

BEFORE THE FIRST USE:

After unit transportation or storage at low temperature keep it for at least three hours at room temperature before switching on.

- Unpack the unit completely and remove any stickers that can prevent unit operation.
- Check the unit for damages; do not use it in case of damages.
- Before connecting the power adapter, make sure that voltage of the mains corresponds to the unit operating voltage.
- Charge the battery and lubricate the blade block following the recommendations below.

The trimmer can operate both connected to the mains and on the built-in battery.

Battery charging

Full charging of the accumulator battery is enough approximately for **45** minutes of continuous operation.

- Switch the trimmer off by pressing the button **(3)**.
- Insert the power adapter **(18)** cord plug into the trimmer socket **(1)** on the lower side of the unit body.
- Place the trimmer on a flat stable surface.
- Plug the power adapter **(18)** plug into the mains socket, the charging indicator **(2)** will light up red.
- The full charging time for the accumulator battery is **8** hours; do not exceed it to avoid reducing the battery operating life.
- After the batteries are charged, unplug the power adapter **(18)** from the mains, remove the adapter cord plug from the

ENGLISH

connection socket (1), the charging indicator (2) will go out.

Attention:

- Charge the trimmer the first 2-3 times for 15 hours. The following charging cycles time should not exceed 8 hours.
- To prolong the battery operating life, it should be discharged completely before each charging cycle.
- Do not charge the batteries at temperature below +5°C and above +35°C.
- If you have not used the trimmer for a month or more, charge it completely before use.
- Never leave the unit connected to the mains unattended.

Using the power adapter

If you want to continue using the trimmer with the battery partially discharged, connect the jack of the power adapter (18) cord to the trimmer socket (1) on the lower part of the unit body, connect the power adapter (18) plug into the mains socket, switch the trimmer on by pressing the button (3), the charging indicator (2) will light up red.

Lubricating the blade block

Before using the unit for the first time remove the blade block and lubricate it with oil (19) (supplied with the unit).

- To remove the blade block place the trimmer with the blades up and press on the upper edge of the blade block with your thumb (pic. 1).
- Apply the lubricating oil to the junctions between the fixed and moving parts of the blades.
- To install the blade block first insert its lower part to the installation place and then carefully press on the upper edge of the blades until clicking to lock it (pic. 2).
- Let the trimmer operate for approximately 30 seconds to spread the oil across the rubbing surfaces. After that remove the

surplus oil with a dry cloth or a paper towel.

Notes:

- Lubricate the blades after every use of the trimmer.
- Use only the oil (19), supplied with the unit, or the oil intended for similar devices.
- Do not use vegetable oil or oil that includes solvents. Solvents will evaporate, and the remaining thick grease may slow down the blades motion.

Blade height switch (4)

You can adjust the cutting length with the blade height switch (4): position 1 – cutting length 1.8 mm; position 2 – cutting length 0.8 mm; position 3 – cutting length 0.4 mm.

Installing the blade block (5, 6, 7)

- To install the blade block (5, 6 or 7) back to its place first insert its lower part to the installation place and then carefully press on the upper edge of the blades until clicking to lock it (pic. 2).
- To remove the blade block (5, 6 or 7) place the trimmer with the blades up and press on the upper edge of the blade block (pic. 1).

Installing the attachment comb (11, 12, 13, 14, 15)

- Before installing, removing and changing the attachment comb (11, 12, 13, 14, 15) switch the unit off by pressing the button (3), if the unit is powered by the AC adapter, unplug it.
- The attachments (11, 12, 13, 14, 15) are installed on the blade block 40 mm (6) and 30 mm (5).
- To install the attachment (11, 12, 13, 14, 15) insert the front edge of the blade block (5) or (6) into the upper part of the attachment (pic. 3) and press on the attachment lock (16) to fix it (pic. 4).
 - The attachment comb (11) allows to leave hair length 1.6 mm.

- The attachment comb (12) allows to leave hair length 3 mm.
 - The attachment comb (13) allows to leave hair length 6 mm.
 - The attachment comb (14) allows to leave hair length 9 mm.
 - The attachment comb (15) allows to leave hair length 13 mm.
- To remove the attachment, press the attachment lock (16) with your thumb (pic. 5).

Installing the shaving attachment (8) and the trimmer (10)

- Installing and removing the shaving attachment (8) and the trimmer (10) is similar to installing and removing the blade block.

USING THE TRIMMER

- For cordless use of the unit, charge the battery fully following the recommendations above.
- For the corded unit operation, insert the power adapter (18) jack into the trimmer socket (1) on the bottom part of the unit body and connect the power adapter (18) plug to the mains.
- Install the required blade block (5, 6 or 7), the shaving attachment (8) or the trimmer (10).
- Before starting the haircut switch the trimmer on by pressing the button (3).
- Make sure that the unit operates normally and the blades move smoothly. If there is too much oil on the blades, remove the oil with a dry cloth.
- During operation with the trimmer connected to the power adapter, always check the power cord condition, do not allow its multiple twisting, periodically turn off the trimmer and straighten the power cord.
- If you need to install one of the attachments (11, 12, 13, 14, 15), switch the unit off by pressing the button (3) then install the attachment.
- Switch the unit on by pressing the button (3).

- After you finish using the unit, press the button (3).

Notes:

- **Always switch the trimmer off during the intervals in operation.**
- **Before changing the attachment switch the trimmer off, and if the trimmer is cord-operated, remove the power adapter from the mains.**

Hair cutting

Use the blade blocks (5, 6) and attachments (11, 12, 13, 14, 15) for hair cutting.

You can use the blade block for short hair (the detail trimmer) (7) for cutting designs on short hair.

- Hair should be clean while cutting.
- You can also cut wet hair.
- Install the required blade block (5, 6 or 7).
- Install the corresponding attachment (11, 12, 13, 14, 15) on the blade block (5, 6).
- Seat a person so that his/her head is approximately at your eye level, cover the person's shoulders with a towel and set hair with the comb.
- Switch the trimmer on by pressing the button (3).

Reminders

- *Always cut off a little amount of hair at a time - if necessary you can always return to the cut area again for additional cutting.*
- *The best haircutting results are reached on dry hair, not wet.*
- *Comb the hair to reveal uneven locks.*
- *It is better to leave longer hair after cutting for the first time.*
- *After learning the unit better, you will be able to arrange your hair in any style you need.*
- **Before changing the attachment switch the trimmer off, and if the trimmer is cord-operated, remove the power adapter from the mains.**

Step one

Install the corresponding attachment on the selected blade block to leave 1.6, 3 or 6 mm

ENGLISH

of the remaining hair length. Switch the trimmer on by pressing the button (3). Hold the unit with the blades pointed upwards. Start cutting from the beginning of the hair growth. Slowly move the trimmer upwards. This way cut the head back area at neck bottom and near the ears.

Step two

Switch the trimmer off by pressing the button (3). Install the corresponding attachment so that the remaining hair length is 9 mm (13 mm), switch the trimmer on and continue cutting hair near the top of the head.

Step 3 – cutting in the temples area

Switch the trimmer off, install the corresponding attachment on the selected blade block to leave 1.6, 3 or 6 mm of the remaining hair length and cut the hair on the temples. Then install the corresponding attachment so that the remaining hair length is 9 mm (13 mm), and continue cutting hair towards the top of the head.

Step 4 – cutting the crown of the head

Using the previous attachment 9 mm (13 mm) cut the hair on the top of the head towards the crown against the hair growth direction.

- You can cut hair against and along the direction of hair growth, but keep in mind that the hair cut against the growth will be shorter than the hair cut along the growth.
- For a very short haircut select the corresponding attachment to leave 1.6, 3 or 6 mm of the remaining hair length. To leave a little longer hair use the attachment combs 9 mm and 13 mm.
- To leave longer hair, take hair locks between your fingers and cut hair using the trimmer.
- You can use the comb: lift the hair locks and cut them with the trimmer above the comb.
- Always start cutting from the head back.
- Comb the hair to reveal uneven locks.
- Use scissors to trim hair.

Step 5 – the final part

In the final stage of hair cutting remove the attachment, turn the blades of the trimmer towards the hair and carefully trim hair on the temples and neck. Do not press the trimmer strongly, there is danger of injuries or cuts when open blades come in contact with skin. You can adjust the cutting length with the blade height switch (4).

Cone-shaped haircut

Set the necessary attachment and start cutting from the head back towards the crown. Cut hair against hair growth from the head front to the top of the head and on the sides. To get a flat top haircut, use the comb: lift the locks and cut them along the comb. Comb the hair to reveal uneven locks.

Cutting beard and mustaches

Use the blade blocks (5, 6) and the attachments (11, 12, 13, 14, 15) for beard styling; you can also use the blade block for short hair (the detail trimmer) (7).

- Until you learn your trimmer better, set the attachments (14) 9 mm and (15) 13 mm with maximal remaining hair length and gradually switch over to attachments with reduced remaining hair length.
- To cut the beard symmetrically start cutting from the ear to the chin on the one side of the face, and then repeat the beard cutting on the other side of the face.
- When cutting mustache, first comb them and start cutting from the middle to the corners of the lips.

Note: Always cut off a small amount of hair at a time; if necessary you can always return to the cut area again for additional cutting.

- In the final stage of beard cutting remove the telescopic attachment from the unit, turn the blades of the unit towards yourself and, pressing the trimmer slightly, shape the beard as you desire.
- Do not press the trimmer strongly, there is danger of injuries or cuts when open blades come in contact with skin.

- When cutting hair on the cheeks, move the trimmer downwards; move the trimmer upwards on the neck.
- After you have cut the beard and moustache, maintain their form.
- Clean the trimmer body with a soft, slightly damp cloth, and then wipe it dry.
- Never immerse the trimmer, the blade blocks (5, 6 or 7), the shaving attachment (8), the trimmer (10) and the power adapter into water or any other liquids.

Shaving

The best shaving results are achieved if your skin is dry.

Your skin may need 2-3 weeks to get used to this shaving system.

- Install the shaving attachment (8).
- Switch the trimmer on by pressing the button (3).
- Touching the skin slightly, move the trimmer back and forth and rotationally at a time.
- After shaving switch the trimmer off by pressing the button (3).
- Clean the shaving attachment (8).

Trimmer for cutting hair in the ears and nose

Be careful when using the trimmer for cutting hair in the ears and nose (10). Insert only the metal tip of the trimmer attachment into the auricle or the nostril.

- Install the attachment (10) on the trimmer and check whether it is set securely.
- Switch the unit on by pressing the button (3).
- Move the metal tip of the trimmer smoothly back and forth and rotationally; carefully cut hair in the nose and/or ears.
- After using switch the unit off pressing the button (3).
- Use the trimmer (10) only for cutting hair in the ears and nose.

CLEANING AND CARE

- Switch the trimmer off after use.
- Remove the attachments (11, 12, 13, 14, 15) from the blade block (5 or 6). Use the brush (17) to clean the inside and outside surface of the attachment from the cut-off hair.

- You can wash the attachment (11, 12, 13, 14, 15) under a water jet, then wipe it dry.
- Remove the blade block (5, 6 or 7) by pressing on the upper part of the block on the blades side (pic. 1). Clean the blade block and the inner cavity of the trimmer under the blade block with the brush (17). Install the blade block (5, 6 or 7) back to its place by inserting the bottom part of the block into the groove on the unit body and pressing the upper part of the block (pic. 2). Click of the locks shows that the blade block is set properly.
- Installing and removing the shaving attachment (8) and the trimmer (10) are similar to installing and removing the blade block.
- Clean the blade block and the inner cavity of the trimmer under the blade block with the brush (17).
- Do not use solvents or abrasives for cleaning the set.
- Lubricate the blades with oil (19) after every use.

Taking care of the shaving attachment (8)

Regular cleaning helps to maintain the shaving system in good and operable condition.

- Press the buttons (9) simultaneously and remove the outer shaving block.
- Use the brush (17) to clean the outer shaving block from inside and outside and to clean the inner cutting block.
- Install the outer shaving block back to its place.

STORAGE

- Clean the unit and lubricate the blades with lubricating oil (19) before taking it away for storage.

ENGLISH

- You may put the protective cover (20) on the blade block (5 or 6).
- Keep the unit away from children in a dry cool place.

DELIVERY SET


1. Trimmer with the blade block (40 mm) – 1 pc.
2. Power adapter – 1 pc.
3. Blade block 30 mm – 1 pc.
4. Blade block for short hair (the detail trimmer) – 1 pc.
5. Blade block protective cover – 1 pc.
6. Attachment combs for blade blocks 30 and 40 mm – 5 pcs.
7. Lubricating oil – 1 pc.
8. Cleaning brush – 1 pc.
9. Shaving attachment – 1 pc.
10. Trimmer for cutting hair in the ears and nose – 1 pc.
11. Instruction manual – 1 pc.

TECHNICAL SPECIFICATIONS

Hair trimmer:

Power consumption: 2.4 W
Built-in rechargeable batteries: Ni-MH
2xAAA 800 mAh 1.2 V
Charging time: 8 hours
Operation time: 45 min.

Power adapter:

Input: 100-240 V ~ 50/60 Hz, 0.2 A
Output: 3 V  1000 mA
Power consumption: 3.3 W

The manufacturer reserves the right to change specifications of the unit without a preliminary notification

Unit operating life is 3 years

Guarantee

Details regarding guarantee conditions can be obtained from the dealer from whom the appliance was purchased. The bill of sale or receipt must be produced when making any claim under the terms of this guarantee.



This product conforms to the EMC-Requirements as laid down by the Council Directive 2004/108/EC and to the Low Voltage Regulation (2006/95/EC)

ТРИММЕР ДЛЯ ВОЛОС VT-2548 BK

Триммер предназначен для стрижки, выравнивания и корректировки волос. В комплект входят насадки разного размера, которые облегчают уход за волосами и различными участками тела. Возможность механической регулировки высоты лезвий позволяет установить оптимальный с вашей точки зрения вариант длины волос (от 0,4 мм до 1,8 мм).

ОПИСАНИЕ

1. Гнездо для подключения сетевого адаптера
2. Индикатор зарядки
3. Кнопка включения/выключения питания « \odot »
4. Переключатель высоты лезвий 0,4/0,8/1,8 мм
5. Блок лезвий 30 мм – U blade
6. Блок лезвий 40 мм – T blade
7. Блок лезвий для коротких волос (детальная насадка)
8. Бритвенная насадка
9. Кнопки фиксатора внешнего бреющего блока
10. Триммер для стрижки волос в ушах и в носу
11. Насадка-расчёска (1,6 мм)
12. Насадка-расчёска (3 мм)
13. Насадка-расчёска (6 мм)
14. Насадка-расчёска (9 мм)
15. Насадка-расчёска (13 мм)
16. Фиксатор насадки
17. Щёточка для чистки
18. Сетевой адаптер
19. Смазочное масло
20. Защитная крышка для блока лезвий

МЕРЫ БЕЗОПАСНОСТИ

Перед началом использования устройства внимательно прочитайте данную инструкцию и сохраняйте её в качестве справочного материала в течение всего срока эксплуатации. Используйте устройство только по его прямому

назначению, как изложено в данной инструкции. Неправильное обращение с устройством может привести к его поломке, причинению вреда пользователю или его имуществу.

- Перед первым подключением устройства к электросети для зарядки аккумуляторной батареи убедитесь, что напряжение электрической сети соответствует рабочему напряжению сетевого адаптера.
- Шнур сетевого адаптера не должен:
 - соприкасаться с горячими предметами и поверхностями;
 - погружаться в воду;
 - протягиваться через острые кромки мебели;
 - использоваться в качестве ручки для переноски устройства.
- Внешняя бреющая сетка бритвенной насадки очень тонкая, во избежание повреждения бреющей сетки не прилагайте к ней больших усилий во время бритья или чистки.
- Во избежание травм не пользуйтесь бритвой при наличии повреждений внешней бреющей сетки или внутреннего бреющего блока.
- Соблюдайте осторожность при использовании триммера для стрижки волос в ушах и в носу. В ушную раковину или ноздрю вставляйте только металлический наконечник насадки триммера.
- Не прикасайтесь к корпусу сетевого адаптера мокрыми руками.
- Используйте устройство только для стрижки сухих волос.
- Используйте устройство только для стрижки естественных человеческих волос.
- Запрещается использовать устройство для стрижки искусственных волос и волос животных.
- Используйте только насадки и сетевой адаптер из комплекта поставки.

РУССКИЙ

- Не используйте устройство в местах с повышенной температурой и относительной влажностью более 80%.
 - Запрещается использовать прибор вне помещений.
 - Производите зарядку аккумуляторной батареи при температуре от +5°C до +35°C.
 - Запрещается использовать устройство с повреждёнными насадками или лезвиями.
 - **ВНИМАНИЕ!** Содержите прибор сухим. Запрещается погружать устройство и сетевой адаптер в воду или в любые другие жидкости.
 - Перед началом работы убедитесь, что блок лезвий и насадки установлены правильно.
 - Отключайте устройство перед установкой, снятием насадок и блоков лезвий.
 - Не используйте устройство в непосредственной близости от ванны / душа, а также ёмкостей, наполненных водой. Близость воды представляет опасность даже в тех случаях, когда устройство выключено выключателем.
 - Если устройство упало в воду, немедленно извлеките сетевой адаптер из электрической розетки, и только после этого можно достать прибор из воды.
 - Всегда следите за чистотой лезвий и наличием на них смазочного масла.
 - После каждого использования очищайте насадки и блоки лезвий от срезанных волос при помощи щётки.
 - Никогда не оставляйте работающее устройство без присмотра.
 - Выключайте устройство во время перерывов в работе или когда вы устройством не пользуетесь.
 - Не разрешайте детям прикасаться к сетевому адаптеру во время зарядки устройства.
 - Не разрешайте детям использовать устройства в качестве игрушки.
 - Данное устройство не предназначено для использования детьми.
 - Во время работы и в перерывах между рабочими циклами размещайте устройство в местах, недоступных для детей и людей с ограниченными возможностями.
 - Прибор не предназначен для использования лицами (включая детей) с пониженными физическими, психическими или умственными способностями или при отсутствии у них опыта или знаний, если они не находятся под контролем или не проинструктированы об использовании прибора лицом, ответственным за их безопасность.
 - Будьте особенно внимательны, если поблизости от работающего устройства находятся дети или лица с ограниченными возможностями.
 - Из соображений безопасности детей не оставляйте полиэтиленовые пакеты, используемые в качестве упаковки, без надзора.
- Внимание!** Не разрешайте детям играть с полиэтиленовыми пакетами или упаковочной плёнкой. **Опасность удушья!**
- Запрещается самостоятельно ремонтировать прибор. Не разбирайте прибор самостоятельно, при возникновении любых неисправностей, а также после падения устройства выключите прибор из электрической розетки и обратитесь в любой авторизованный (уполномоченный) сервисный центр по контактным адресам, указанным в гарантийном талоне и на сайте www.vitek.ru.
 - Во избежание повреждений перевозите устройство только в заводской упаковке.

- Храните устройство в сухом прохладном месте, недоступном для детей и людей с ограниченными возможностями.

УСТРОЙСТВО ПРЕДНАЗНАЧЕНО ТОЛЬКО ДЛЯ БЫТОВОГО ИСПОЛЬЗОВАНИЯ

ПЕРЕД ПЕРВЫМ ИСПОЛЬЗОВАНИЕМ:

После транспортировки или хранения устройства при пониженной температуре необходимо выдержать его при комнатной температуре не менее трёх часов.

- Полностью распакуйте устройство и удалите любые наклейки, мешающие работе устройства.
- Проверьте целостность устройства, при наличии повреждений не пользуйтесь устройством.
- Перед включением сетевого адаптера убедитесь, что напряжение электрической сети соответствует рабочему напряжению устройства.
- Произведите зарядку аккумуляторной батареи и смазку блока лезвий в соответствии с рекомендациями, указанными ниже.

Триммер для волос может работать от сетевого адаптера и от встроенной аккумуляторной батареи.

Зарядка аккумуляторной батареи

Заряда полностью заряженной аккумуляторной батареи хватает приблизительно на **45** минут непрерывной работы.

- Выключите триммер, нажав на кнопку **(3)**.
- Вставьте штекер шнура сетевого адаптера **(18)** в гнездо триммера **(1)** с нижней стороны корпуса.
- Положите триммер на ровную устойчивую поверхность.

- Вставьте вилку сетевого адаптера **(18)** в электрическую розетку, при этом индикатор зарядки **(2)** загорится красным цветом.
- Время полной зарядки аккумуляторной батареи составляет **8** часов, во избежание сокращения срока службы аккумуляторов не превышайте его.
- После того, как аккумуляторы будут заряжены, извлеките сетевой адаптер **(18)** из розетки электросети и выньте штекер провода сетевого адаптера из гнезда **(1)**, индикатор зарядки **(2)** при этом погаснет.

Внимание:

- *Перед первым использованием первые 2-3 раза заряжайте триммер в течение 15 часов. Продолжительность последующих зарядок не должна превышать 8 часов.*
- *Для того чтобы обеспечить длительный срок службы аккумуляторов, они должны быть полностью разряжены перед каждой последующей зарядкой.*
- *Производите зарядку аккумуляторов при температуре не ниже +5°C и не выше +35°C.*
- *Если Вы не пользовались триммером в течение месяца и более, полностью зарядите его перед использованием.*
- *Не оставляйте включённое в сеть устройство без присмотра.*

Использование сетевого адаптера

Если вы хотите продолжить использование триммера при частично разряженном аккумуляторе, подключите штекер шнура сетевого адаптера **(18)** в гнездо триммера **(1)** с нижней стороны корпуса, вставьте вилку сетевого адаптера **(18)** в электрическую розетку, включите триммер, нажав на кнопку **(3)**, при этом индикатор зарядки **(2)** будет гореть красным цветом.

Смазка блока лезвий

Перед первым использованием снимите блок лезвий и смажьте его маслом (19) (входит в комплект поставки).

- Для снятия блока лезвий расположите триммер лезвиями вверх и надавите большим пальцем на верхнюю кромку блока лезвий (рис. 1).
- Нанесите смазочное масло в места контакта подвижной и неподвижной частей лезвий.
- Для установки блока лезвий сначала установите нижнюю его часть в посадочное место, а затем аккуратно нажмите на верхнюю кромку лезвий до щелчка для фиксации (рис. 2).
- Дайте триммеру поработать примерно 30 секунд, чтобы масло распространилось по трущимся поверхностям. После этого удалите излишки масла сухой тканью или бумажной салфеткой.

Примечания:

- Смазывайте лезвия после каждого использования триммера.
- Используйте только то масло (19), которое входит в комплект поставки или масло, предназначенное для аналогичных устройств.
- Не используйте растительное масло или масло, в состав которого входят растворители. Растворители подвержены испарению, а оставшееся густое масло замедлит скорость перемещения лезвий.

Переключатель высоты лезвий (4)

Длину срезаемых волос можно регулировать переключателем высоты лезвий (4): положение 1 – длина срезаемых волос 1,8 мм; положение 2 – длина срезаемых волос 0,8 мм; положение 3 – длина срезаемых волос 0,4 мм.

Установка блока лезвий (5, 6, 7)

- Для установки блока лезвий (5, 6 или 7) сначала установите нижнюю

его часть в посадочное место, а затем аккуратно нажмите на верхнюю кромку лезвий до щелчка для фиксации (рис. 2).

- Для снятия блока лезвий (5, 6 или 7) расположите триммер лезвиями вверх и надавите большим пальцем на верхнюю кромку блока лезвий (рис. 1).

Установка насадки-расчёски (11, 12, 13, 14, 15)

- Перед установкой, снятием или заменой насадки-расчёски (11, 12, 13, 14, 15) выключите устройство, нажав на кнопку (3), при работе от сетевого адаптера извлеките его из электрической розетки.

- Насадки (11, 12, 13, 14, 15) устанавливаются на блоки лезвий 40 мм (6) и 30 мм (5).

- Чтобы установить насадку (11, 12, 13, 14, 15), вставьте переднюю кромку блока лезвий (5) или (6) в верхнюю часть насадки (рис. 3), и нажмите на фиксатор насадки (16) до щелчка для фиксации (рис. 4).

- Насадка-расчёска (11) позволяет оставлять высоту волос 1,6 мм;
- Насадка-расчёска (12) позволяет оставлять высоту волос 3 мм;
- Насадка-расчёска (13) позволяет оставлять высоту волос 6 мм;
- Насадка-расчёска (14) позволяет оставлять высоту волос 9 мм;
- Насадка-расчёска (15) позволяет оставлять высоту волос 13 мм.

- Для снятия насадки большим пальцем нажмите на фиксатор насадки (16) (рис. 5).

Установка бритвенной насадки (8) и триммера (10)

- Установка и снятие бритвенной насадки (8) и триммера (10) аналогичны установке и снятию блока лезвий.

ИСПОЛЬЗОВАНИЕ ТРИММЕРА

- Для работы от аккумуляторной батареи, произведите полную её зарядку в соответствии с рекомендациями, описанными выше.
- Для работы от электрической сети подключите штекер шнура сетевого адаптера (**18**) в гнездо триммера (**1**) с нижней стороны корпуса и вставьте вилку сетевого адаптера (**18**) в электрическую розетку.
- Установите нужный блок лезвий (**5, 6** или **7**), бритвенную насадку (**8**) или триммер (**10**).
- Перед началом стрижки включите триммер, нажав на кнопку (**3**).
- Убедитесь, что устройство работает без сбоев, а ход лезвий – плавный. При избытке смазочного масла на лезвиях удалите масло при помощи сухой ткани.
- Если вы работаете с триммером, подключённым к сетевому адаптеру, следите за состоянием шнура сетевого адаптера, не допускайте его многократного перекручивания, периодически отключайте триммер и расправляйте шнур сетевого адаптера.
- Если необходимо установить одну из насадок (**11, 12, 13, 14, 15**), выключите устройство, нажав на кнопку (**3**), затем установите насадку.
- Включите устройство, нажав на кнопку (**3**).
- После завершения работы с устройством нажмите на кнопку (**3**).

Примечания:

- *Обязательно выключайте триммер во время перерывов при работе устройства.*
- *Перед заменой насадки выключайте триммер и, если триммер работает от электросети, выньте сетевой адаптер из электрической розетки.*

Стрижка волос

Для создания причёски используйте блоки лезвий (**5, 6**) и насадки (**11, 12, 13, 14, 15**).

Для художественного выстригания рисунков на коротких волосах можно использовать блок лезвий для коротких волос (детальный триммер) (**7**).

- Во время стрижки волосы должны быть чистыми.
- Вы также можете осуществлять влажную стрижку.
- Установите необходимый блок лезвий (**5, 6** или **7**).
- Установите на блок лезвий (**5, 6**) соответствующую насадку (**11, 12, 13, 14, 15**).
- Посадите человека таким образом, чтобы его голова была примерно на уровне ваших глаз, прикройте плечи полотенцем, расчешите волосы при помощи расчёски.
- Включите триммер, нажав на кнопку (**3**).

Напоминания

- *Срезайте небольшое количество волос за один проход, в случае необходимости всегда можно вернуться к уже подстриженному участку для дополнительной стрижки.*
- *Наилучшие результаты стрижки достигаются при работе с сухими, а не влажными волосами.*
- *Расчёсывайте волосы расчёской для выявления неровных прядей.*
- *Для первого раза после стрижки лучше оставить более длинные волосы.*
- *По мере освоения устройства вы сможете самостоятельно моделировать необходимые причёски.*
- *Перед заменой насадки выключайте триммер и, если триммер работает от электросети, выньте сетевой адаптер из электрической розетки.*

Шаг первый

На выбранный блок лезвий установите соответствующую насадку таким образом, чтобы длина оставляемых волос составляла 1,6 мм, 3 мм или 6 мм. Включите триммер, нажав на кнопку (3). Держите устройство таким образом, чтобы лезвия были направлены вверх. Начиная стрижку с начала роста волос. Медленно перемещайте триммер по направлению вверх. Подстригите все волосы снизу задней части головы и около ушей.

Шаг второй

Выключите триммер, нажав на кнопку (3). Установите соответствующую насадку таким образом, чтобы длина оставляемых волос составляла 9 мм (13 мм), включите триммер и продолжайте стричь волосы ближе к макушке.

Шаг 3 – стрижка в области висков

Отключите триммер, установите соответствующую насадку таким образом, чтобы длина оставляемых волос составляла 1,6 мм, 3 мм или 6 мм, и подстригите волосы на висках. Затем, установите соответствующую насадку таким образом, чтобы длина оставляемых волос составляла 9 мм (13 мм), и продолжайте стрижку по направлению к макушке.

Шаг 4 – стрижка в области темени

Используя предыдущую насадку 9 мм (13 мм), стригите волосы по направлению от макушки к темени, против направления роста волос.

- Волосы можно стричь против направления из роста и по направлению их роста, но имейте в виду, что волосы, подстриженные против направления их роста, будут короче волос, подстриженных по направлению роста.

- Для очень короткой стрижки выберите соответствующую насадку чтобы длина оставляемых волос составляла 1,6 мм, 3 мм или 6 мм. Чтобы оставить волосы чуть длиннее, используйте насадки-расчёски 9 мм и 13 мм.
- Чтобы оставить более длинные волосы, зажимайте пряди волос между пальцами и состригайте их триммером.
- Можно использовать расчёску: приподнимайте пряди волос и состригайте их триммером поверх расчёски.
- Всегда начинайте стрижку с задней части головы.
- Расчёсывайте волосы расчёской для выявления неровных прядей.
- Используйте ножницы для подравнивания волос.

Шаг 5 – заключительная часть

В заключительной стадии моделирования причёски снимите насадку, разверните триммер лезвиями в сторону волос и аккуратно подравняйте волосы на висках и на шее. Не надавливайте сильно на триммер, при контакте открытых лезвий с кожей можно нанести себе травму или порезы. Длину срезаемых волос можно регулировать переключателем высоты лезвий (4).

Конусообразная стрижка

Установите необходимую насадку и начните стрижку с задней части головы по направлению к макушке. Подстригите волосы против направления их роста с передней части головы по направлению к макушке и с боков. Для получения стрижки с плоской макушкой используйте расчёску: приподнимайте и состригайте пряди волос по расчёске. Расчёсывайте волосы расчёской для выявления неровных прядей.

Стрижка бороды и усов

Для моделирования бороды используйте блоки лезвий (**5, 6**) и насадки (**11, 12, 13, 14, 15**), можно также использовать блок лезвий для коротких волос (детальный триммер) (**7**).

- Пока вы не освоили триммер, лучше устанавливайте насадки (**14**) 9 мм и (**15**) 13 мм, с максимальной длиной оставляемых волос и постепенно переводите насадки в сторону уменьшения длины оставляемых волос.
- Для того, чтобы подстричь бороду симметрично, начинайте стрижку по направлению от уха в сторону подбородка с одной стороны лица, а затем повторите стрижку бороды с другой стороны лица.
- При стрижке усов сначала их расчешите и начните подстригать их в направлении от середины к уголкам губ.

Примечание: Срезайте небольшое количество волос за один проход, в случае необходимости всегда можно вернуться к уже подстриженному участку для дополнительной стрижки.

- В заключительной стадии стрижки бороды снимите телескопическую насадку, поверните устройство лезвиями к себе и, слегка надавливая на триммер, создайте необходимый контур бороды.
- Не надавливайте сильно на триммер, при контакте открытых лезвий с кожей можно нанести себе травму или порезы.
- Подстригая волосы на щеках, перемещайте триммер сверху вниз, а в области шеи перемещайте триммер снизу вверх.
- После того как вы подстригли бороду и усы, поддерживайте их форму.

Бритьё

Наилучшие результаты бритья достигаются в том случае, если ваша кожа сухая.

Вашей коже может потребоваться 2-3 недели для того, чтобы привыкнуть к данной системе бритья.

- Установите бритвенную насадку (**8**).
- Включите триммер, нажав на кнопку (**3**).
- Слегка касаясь кожи, перемещайте триммер, совершая одновременно возвратно-поступательные и вращательные движения.
- По окончании бритья выключите триммер, нажав на кнопку (**3**).
- Произведите чистку бритвенной насадки (**8**).

Триммер для стрижки волос в ушах и в носу

Соблюдайте осторожность при использовании триммера для стрижки волос в ушах и в носу (**10**). В ушную раковину или в ноздрю вставляйте только металлический наконечник насадки триммера.

- Установите на триммер насадку (**10**) и проверьте, надежно ли она установлена.
- Включите устройство, нажав на кнопку (**3**).
- Плавно перемещайте металлический наконечник триммера круговыми и возвратно-поступательными движениями; соблюдая осторожность, подстригите волосы в носу и/или в ушах.
- После использования выключите устройство, нажав на кнопку (**3**).
- Используйте триммер (**10**) только для стрижки волос в ушах и в носу.

ЧИСТКА И УХОД

- Выключите триммер после использования.
- Снимите насадки (**11, 12, 13, 14, 15**) с блока лезвий (**5** или **6**). Щёткой (**17**) удалите остатки состриженных волос с внешней и внутренней поверхностей насадки.

РУССКИЙ

- Корпус триммера протирайте мягкой слегка влажной тканью, после чего вытрите насухо.
- Запрещается погружать триммер, блоки лезвий (5, 6 или 7), бритвенную насадку (8), триммер (10) и сетевой адаптер в воду и любые другие жидкости.
- Вы можете промыть насадку (11, 12, 13, 14, 15) под струёй воды, после чего вытрите её насухо.
- Снимите блок лезвий (5, 6 или 7), нажав на верхнюю часть блока со стороны лезвий (рис. 1). Щёткой (17) очистите блок лезвий и внутреннюю полость триммера под блоком лезвий. Установите блок лезвий (5, 6 или 7) на место, вставив нижнюю часть блока в паз на корпусе, и нажав на верхнюю часть блока (рис. 2). Щелчок фиксаторов свидетельствует о правильной установке блока лезвий.
- Установка и снятие бритвенной насадки (8) и триммера (10) аналогичны установке и снятию блока лезвий.
- Щёткой (17) очистите внутреннюю полость триммера и насадок.
- Запрещается использовать для чистки набора для стрижки растворители или абразивные чистящие средства.
- После каждого использования смазывайте лезвия маслом (19).

Уход за бритвенной насадкой (8)

Регулярная чистка помогает поддерживать бритвенную систему в хорошем состоянии и сохранять её работоспособность.

- Одновременно нажмите кнопки (9) и снимите внешний бреющий блок.
- Используя щётку (17), прочистите с внутренней и с наружной стороны внешний бреющий блок, а также внутренний режущий блок.

- Установите внешний бреющий блок на место.

ХРАНЕНИЕ

- Перед тем, как убрать устройство на хранение, произведите его чистку и смажьте лезвия маслом (19).
- Вы можете установить защитную крышку (20) на блок лезвий (5 или 6).
- Храните устройство в сухом прохладном месте, недоступном для детей.

КОМПЛЕКТ ПОСТАВКИ

1. Триммер для стрижки, с блоком лезвий (40 мм) – 1 шт.
2. Сетевой адаптер – 1 шт.
3. Блок лезвий 30 мм – 1 шт.
4. Блок лезвий для коротких волос (детальный триммер) – 1 шт.
5. Защитная крышка для блока лезвий – 1 шт.
6. Насадки – расчёски для блоков лезвий 30мм и 40мм – 5шт.
7. Смазочное масло – 1 шт.
8. Щётка для чистки – 1 шт.
9. Бритвенная насадка – 1 шт.
10. Триммер для стрижки волос в ушах и в носу – 1 шт.
11. Инструкция – 1 шт.

ТЕХНИЧЕСКИЕ ХАРАКТЕРИСТИКИ

Триммер для стрижки:

Мощность: 2,4 Вт
Встроенные аккумуляторные батареи: Ni-MH 2xAAA 800 мАч 1,2 В
Время зарядки: 8 часов
Время работы: 45 мин.

Сетевой адаптер:

Вход: 100-240 В ~ 50/60 Гц 0,2 А
Выход: 3В \equiv 1000 мА
Потребляемая мощность: 3,3 Вт

Производитель оставляет за собой право изменять характеристики приборов без предварительного уведомления

Срок службы прибора – 3 года

Данное изделие соответствует всем требуемым европейским и российским стандартам безопасности и гигиены.

Изготовитель:

АНДЕР ПРОДАКТС ГмбХ, Австрия

Адрес: Нойбаугюртель 38/7А,
1070 Вена, Австрия.

Информация для связи –

email: anderproduct@gmail.com

Информация об Импортере указана на индивидуальной упаковке.

Информация об авторизованных (уполномоченных) сервисных центрах указана в гарантийном талоне и на сайте www.vitek.ru

Единая справочная служба:

+7 (495) 921-01-70


Сделано в Китае

ҚАЗАҚ

ШАШҚА АРНАЛҒАН ТРИММЕР VT-2548 BK

Триммер шашты қию, түзету және реттеу үшін арналған. Жинаққа шаштың және дененің әртүрлі бөліктерінің күтімін жеңілдететін әртүрлі өлшемді қондырмалар кіреді. Ұстаралардың ұзындығын механикалық реттеу сіздің көзқарасыңызға байланысты оптималды шаштың ұзындығын белгілеуге мүмкіндік береді (0,4 мм-ден 1,8 мм-ге дейін).

СИПАТТАМАСЫ

1. Желілік бейімдеуішті қосуға арналған ұя
2. Қуаттандыру көрсеткіші
3. Қоректендіруді іске қосу/сөндіру батырмасы «»
4. Ұстаралар биіктігінің ауыстырғышы 0,4/0,8/1,8 мм
5. Ұстаралар блогы 30 мм - U blade
6. Ұстаралар блогы 40 мм - T blade
7. Қысқа шашқа арналған ұстаралар блогы (детальды қондырма)
8. Қырынатын ұстара қондырмасы
9. Сыртқы қырынатын блоктың бекіткішінің батырмалары
10. Құлақ пен мұрындағы шашты қиюға арналған триммер
11. Қондырма-тарақ (1.6 мм)
12. Қондырма-тарақ (3 мм)
13. Қондырма-тарақ (6 мм)
14. Қондырма-тарақ (9 мм)
15. Қондырма-тарақ (13 мм)
16. Қондырма бекіткіші
17. Тазалауға арналған қылшақ
18. Желілік бейімдеуіш
19. Майлайтын май
20. Ұстаралар блогына арналған қорғаныс қақпақ

ҚАУІПСІЗДІК ШАРАЛАРЫ

Электрлік аспапты пайдалану алдында берілген нұсқаулықты зейін қойып оқып шығыңыз және оны анықтамалық материал ретінде сақтап қойыңыз. Құрылғыны тікелей міндеті бойынша ғана, берілген нұсқаулықта көзделгендей пайдаланыңыз. Аспапты дұрыс пайдаланбау оның сынуына,

пайдаланушыға немесе оның мүлкіне зиян келтіруіне әкелуі мүмкін.

- Аккумуляторлық батареяны қуаттандыру үшін құрылғыны электрлік желіге алғашқы қосу алдында, электрлік желідегі кернеудің желілік бейімдеуіштің жұмыс істеу кернеуіне сәйкес келетініне көз жеткізіңіз.
- Желілік бейімдеуіштің бауы:
 - ыстық заттармен және беттермен жанаспауы;
 - суға матырылмауы;
 - жиһаздың үшкір қырларымен тартылмауы;
 - құрылғыны тасымалдауға арналған қолсап ретінде падаланылмауы керек.
- Қырынатын ұстара қондырмасының сыртқы қырынатын торы өте жұқа, қырынатын тордың бүлінуіне жол бермеу үшін қырыну немесе тазалау уақытында оған қатты күш салмаңыз.
- Жарақаттардың алдын-алу үшін сыртқы қырынатын тордың немесе ішкі қырынатын блоктың бүлінулері болса, қырынатын ұстараны пайдаланбаңыз.
- Құлақ пен мұрындағы шашты қиюға арналған триммерді пайдаланған кезде сақ болыңыз. Құлақ саңылауына немесе танауға триммер қондырмасының металл ұштамасын ғана салыңыз.
- Желілік бейімдеуіштің корпусына сулы қолыңызды тигізбеңіз.
- Құрылғыны құрғақ шашты қию үшін ғана пайдаланыңыз.
- Құрылғыны табиғи адамның шашын қию үшін ғана пайдаланыңыз.
- Құрылғыны жасанды шаш пен жануар шашын қию үшін пайдалануға тыйым салынады.
- Жеткізілім жинағына кіретін қондырмалар мен желілік бейімдеуішті ғана пайдаланыңыз.
- Жоғары температура мен 80% асатын салыстырмалы ылғалдылықта құрылғыны пайдаланбаңыз.
- Аспапты панажайлардан тыс пайдалануға тыйым салынады.

- Аккумуляторлық батареяны +5°С-ден +35°С-ге дейінгі температурада жүзеге асырыңыз.
 - Құрылғыны бүлінген қондырмалармен және ұстаралармен пайдалануға тыйым салынады.
 - **НАЗАР АУДАРЫҢЫЗ!** Аспапты құрғақ ұстаңыз. Құрылғыны және желілік бейімдеуішті суға немесе кез-келген басқа сұйықтықтарға матыруға тыйым салынады.
 - Жұмысты бастау алдында ұстаралар блогы мен қондырмалардың дұрыс орнатылғанына көз жеткізіңіз
 - Қондырмалар мен ұстаралар блогын орнату және шешу алдында құрылғыны сөндіріңіз.
 - Құрылғыны ваннаның, душтың, сонымен қатар суға толтырылған ыдыстардың тікелей қасында пайдаланбаңыз. Судың жақындығы құрылғы сөндірілгеннен сөндірілген кезде де қауіп төндіреді.
 - Егер құрылғы суға құлап кетсе, желілік бейімдеуішті электрлік ашалықтан дереу шығарыңыз, және содан кейін ғана аспапты судан шығаруға болады.
 - Ұсталардың тазалығын және оларда майлайтын майдың болуын әрқашан қадағалаңыз.
 - Өр пайдаланған сайын қондырмалар мен ұстаралар блогын қиылған шаштан қылшақ көмегімен тазалаңыз.
 - Ешқашан жұмыс істеп тұрған құрылғыны қараусыз қалдырмаңыз.
 - Жұмыс уақытындағы үзілістер кезінде немесе сіз машинканы пайдаланған кезде оны сөндіріңіз.
 - Балаларға желілік бейімдеуіштің корпусына құрылғыны қуаттандыру уақытында қолын тигізуге рұқсат етпеңіз.
 - Балаларға құрылғыны ойыншық ретінде пайдалануға рұқсат етпеңіз.
 - Берілген құрылғы балалардың пайдалануына арналмаған.
 - Жұмыс істеу уақытында және жұмыс циклдері арасындағы үзілістерде құрылғыны балалардың және мүмкіндіктері шектеулі адамдардың қолы жетпейтін жерлерде орналастырыңыз.
 - Дене, жүйке немесе сана мүмкіндіктері төмендетілген тұлғалардың (балаларды қоса) немесе оларда тәжірибесі немесе білімі болмаса, егер олар бақыланбаса немесе олардың қауіпсіздігі үшін жауап беретін тұлғамен аспапты пайдалану туралы нұсқаулықтар берілген болмаса, аспап олардың пайдалануына арналмаған.
 - Жұмыс істеп тұрған құрылғының қасында балалар немесе мүмкіндіктері шектеулі тұлғалар болса, аса назар болыңыз.
 - Балалардың қауіпсіздігі мақсатында орау ретінде пайдаланылатын полиэтилен қаптарды қараусыз қалдырмаңыз.
- Назар аударыңыз!** Балаларға полиэтилен қаптармен немесе пленкамен ойнауға рұқсат етпеңіз. **Баланың тұншығу қаупі бар!**
- Аспапты өз бетімен жөндеуге тыйым салынады. Аспапты өз бетіңізбен бөлшектемеңіз, кез-келген ақаулықтар пайда болғанда, сонымен қатар құрылғы құлағаннан кейін аспапты электрлік ашалықтан суырыңыз және кепілдік талоны мен www.vitek.ru сайтында көрсетілген хабарласу мекен-жайлары бойынша кез-келген туындыгерлес (өкілетті) қызмет көрсету орталығына хабарласыңыз.
 - Бүлінулерге жол бермеу үшін құрылғыны зауыттық орауда тасымалданың.
 - Құрылғыны құрғақ салқын, балалардың және мүмкіндіктері шектеулі адамдардың қолы жетпейтін жерде сақтаңыз.
- ҚҰРЫЛҒЫ ТҰРМЫСТЫҚ ЖАҒДАЙДА ПАЙДАЛАНУҒА ҒАНА АРНАЛҒАН**
- АЛҒАШҚЫ ПАЙДАЛАНУ АЛДЫНДА**
Құрылғыны төмен температура жағдайында тасымалдаған немесе сақтаған кезде оны бөлме температурасында үш сағаттан кем уақыт бойы ұстау керек.

ҚАЗАҚ

- Құрылғыны толық ораудан шығарыңыз және құрылғының жұмыс істеуіне кедергі бола алатын кез-келген жапсырмаларды жойыңыз.
 - Құрылғының тұтастығын тексеріңіз, бүлінуді болған жағдайда оны пайдаланбаңыз.
 - Желілік бейімдеуішті іске қосу алдында, электрлік желінің кернеуі құрылғының жұмыс істеу кернеуіне сәйкес келетініне көз жеткізіңіз.
 - Аккумуляторлық батареяны қуаттандыруды және ұстаралар блогын майлауды төменде көрсетілген ұсыныстарға сәйкес жүзеге асырыңыз.
- Шашқа арналған триммер желілік бейімдеуіштен және аккумуляторлық батареядан жұмыс істей алады.**

Аккумуляторлық батареяны қуаттандыру

Толық қуаттандырылған батареяның қуаты шамамен 45 минут үздіксіз жұмыс істеуге жетеді.

- Батырманы (3) басып, триммерді сөндіріңіз,
- Желілік бейімдеуіш бауының (18) істікшесін корпусстың төменгі жағындағы триммер ұясына (1) салыңыз.
- Триммерді түзу тұрақты бетке қойыңыз.
- Желілік бейімдеуіштің (18) айыретігің электрлік ашалыққа салыңыз, осы кезде қуаттандыру көрсеткіші (2) қызыл түспен жанады.
- Аккумуляторлық батареяның толық қуаттану уақыты 8 сағатты құрайды. Аккумуляторлардың қызмет ету мерзімін қысқартуға жол бермеу үшін бұл уақыттан асырмаңыз.
- Аккумуляторлық батарея қуаттандырылғаннан кейін, желілік бейімдеуішті (18) электржелісінің ашалығынан шығарыңыз және желілік бейімдеуіш бауының істікшесін ұядан (1) шығарыңыз, қуаттандыру көрсеткіші (2) осы кезде сөнеді.

Назар аударыңыз:

- Алғашқы пайдалану алдында алғашқы 2-3 рет триммерді 15 сағат

бойы қуаттандырыңыз. Кейінгі қуаттандырулардың ұзақтығы 8 сағаттан аспауы керек.

- Аккумуляторлардың қызмет етуінің ұзақ мерзімін қамтамасыз ету үшін олар келесі қуаттандыру алдында толық қуатсыздандырылуы керек.
- Аккумуляторларды қуаттандыруды +5°C-ден төмен емес және +35°C-ден жоғары емес температурада жүзеге асырыңыз.
- Егер сіз құрылғыны бір ай және одан да көп уақыт бойы пайдаланбаған болсаңыз, оны пайдалану алдында толық қуаттандырыңыз.
- Желіге қосылған құрылғыны қараусыз қалдырмаңыз.

Желілік бейімдеуішті пайдалану

Егер сіз триммерді жартылай қуаттанған аккумулятормен пайдалануды жалғастырғыңыз келсе, желілік бейімдеуіш (18) бауының істікшесін корпусстың төменгі жағындағы триммер ұясына (1) салыңыз, желілік бейімдеуіш (18) айыретігін электрлік ашалыққа салыңыз, батырманы (3) басып, триммерді іске қосыңыз, осы кезде қуаттандыру көрсеткіші (2) қызыл түспен жанады.

Ұстаралар блогын майлау

Алғашқы пайдалану алдында ұстаралар блогын шешіңіз және оны майлайтын маймен (19) жағыңыз (жеткізілім жинағына кіреді).

- Ұстаралар блогын шешу үшін триммерді ұстараларымен жоғары қаратыңыз және үлкен саусақпен ұстаралар блогының жоғарғы қырына басыңыз (сур. 1).
- Майлайтын майды ұстаралардың қозғалатын және қозғалмайтын бөліктерінің түйісу орындарына жағыңыз.
- Ұстаралар блогын орнату үшін алдымен оның төменгі бөлігін отырғызатын орынға орнатыңыз, ал одан кейін ұстаралардың жоғарғы қырына бекітетін шыртылға дейін ұқыпты басыңыз (сур. 2).

- Майдың үйкеленетін беттермен таралуы үшін машинкаға 30 секундтай жұмыс істеуге уақыт беріңіз. Содан кейін майдың артық бөліктерін құрғақ матамен немесе қағаз майлықпен сүртіңіз.
- Қондырмалар (11, 12, 13, 14, 15) ұстаралар блогына 40мм (6) және 30мм (5) орнатылады.
- Қондырманы (11, 12, 13, 14, 15) орнату үшін, ұстаралар блогының (5) немесе (6) алдыңғы қырын қондырманың жоғарғы бөлігіне салыңыз (сур. 3), және қондырма бекіткішіне (16) шыртылға дейін басыңыз (сур. 4).

Ескерту:

- *Машинканы әр пайдаланған сайын ұстараларды майлаңыз.*
- *Жеткізілім жинағына кіретін майды (19) немесе ұқсас құрылғыларға арналған майды ғана пайдаланыңыз.*
- *Өсімдік майын немесе құрамына еріткіштер кіретін майларды пайдаланбаңыз. Еріткіштер буланады, ал қалған қою май ұстаралардың қозғалу жылдамдығын баяулата алады.*

Ұстаралар биіктігінің ауыстырығышы (4)

Қиылатын шаштың ұзындығын ұстаралар биіктігінің ауыстырығышымен (4) реттеуге болады: 1 күйі – қиылатын шаштың ұзындығы 1,8мм; 2 күйі – қиылатын шаштың ұзындығы 0,8мм; 3 күйі – қиылатын шаштың ұзындығы 0,4мм

Ұстаралар блогын (5, 6, 7) орнату

- Ұстаралар блогын (5, 6 немесе 7) орнату үшін алдымен оның төменгі бөлігін орнататын орынға орнатыңыз, ал содан кейін ұстаралардың жоғарғы қырына бекітетін шыртылға дейін ұқыпты басыңыз (сур. 2).
- Ұстаралар блогын (5, 6 немесе 7) шешу үшін триммерді ұстараларымен жоғары қаратып орналастырыңыз және үлкен саусақпен ұстаралар блогының жоғарғы қырына басыңыз (сур. 1).

Қондырма-тарақты (11, 12, 13, 14, 15) орнату

- Қондырма-тарақты (11, 12, 13, 14, 15) орнату, шешу немес ауыстыру алдында батырманы (3) басып, құрылғыны сөндіріңіз, желілік бейімдеуіштен жұмыс істеген кезде оны электрлік ашалықтан шығарыңыз.

- Қондырма-тарақ (11) шаштың ұзындығын 1.6мм қалдыруға мүмкіндік береді;
- Қондырма-тарақ (12) шаштың ұзындығын 3мм қалдыруға мүмкіндік береді;
- Қондырма-тарақ (13) шаштың ұзындығын 6мм қалдыруға мүмкіндік береді;
- Қондырма-тарақ (14) шаштың ұзындығын 9мм қалдыруға мүмкіндік береді;
- Қондырма-тарақ (15) шаштың ұзындығын 13мм қалдыруға мүмкіндік береді.
- Қондырманы шешу үшін үлкен саусақпен қондырма бекіткішіне (16) басыңыз (сур. 5).

Қырынатын ұстара қондырмасын (8) және триммерді (10) орнату

- Қырынатын ұстара (8) мен триммерді (10) орнату және шешу ұстаралар блогын орнату мен шешуге ұқсас болады.

ТРИММЕРДІ ПАЙДАЛАҢУ

- Аккумуляторлық батареядан жұмыс істеу үшін жоғарыда сипатталған ұсыныстарға сәйкес оны толық қуаттандыруды жүзеге асырыңыз.
- Электрлік желіден жұмыс істеу үшін желілік бейімдеуіш (18) бауының істікшесін корпустың төменгі жағындағы триммер ұясына (1) қосыңыз және желілік бейімдеуіштің (18) айыретігін электрлік ашалыққа салыңыз.
- Қажетті ұстаралар блогын (5, 6 немесе 7), қырынатын ұстара қондырмасын (8) немесе триммерді (10) орнатыңыз.
- Шашты қиюды бастау алдында, батырманы (3) басып, триммерді іске қосыңыз.
- Құрылғының іркіліссіз жұмыс істейтініне, ал ұстаралардың жүрсісі жұмсақ екеніне

ҚАЗАҚ

- көз жеткізіңіз. Ұстараларда майлайтын майдың артық бөліктерін құрғақ мата көмегімен жойыңыз.
- Егер сіз желілік бейімдеуішке қосылған триммермен жұмыс істесеңіз, желілік бейімдеуіштің бауының күйін қадағалаңыз, оның көп рет бұралуына жол бермеңіз, триммерді мезгілімен сөндіріңіз және желілік бейімдеуіштің бауын түзетіңіз.
 - Егер қондырманың (11, 12, 13, 14, 15) біреуін орнату қажет болса, батырманы (3), құрылғыны сөндіріңіз, ал содан кейін қондырманы орнатыңыз.
 - Батырманы (3) басып, құрылғыны іске қосыңыз.
 - Құрылғымен жұмыс істеп болғаннан кейін, батырманы (3) басыңыз.
- Ескерту:**
- Жұмыс арасындағы үзіліс уақытында триммерді әрқашан сөндіріңіз.
 - Қондырманы ауыстыру алдында триммерді сөндіріңіз және, егер триммер желіден жұмыс істесе, желілік бейімдеуішті электрлік ашалықтан шығарыңыз.

Шашты қию

Шаш үлгісін жасау үшін ұстаралар блогын (5, 6) сәйкес қондырмалармен (11, 12, 13, 14, 15) пайдаланыңыз.

Қысқа шашта суреттерді көркем қырқу үшін қысқа шашқа арналған ұстаралар блогын (детальды триммерді) (7) пайдалануға болады.

- Шаш таза және құрғақ болуы керек.
- Сіз сонымен қатар ылғалды қиюды жүзеге асыра аласыз.
- Қажетті ұстаралар блогын (5, 6 немесе 7) орнатыңыз.
- Ұстаралар блогына (5, 6) сәйкес қондырманы (11, 12, 13, 14, 15) орнатыңыз.
- Адамның басы сіздің көзіңіздің деңгейінде болатындай етіп, оны отырғыңыз, иықтарын сүлгімен жабыңыз, тарақтың көмегімен шашын тараңыз.

- Батырманы (3) басып, триммерді іске қосыңыз.

Еске салу

- Бір өткенде шамалы шашты қиыңыз, қиылған бөлікке қайта оралуға және шашты қосымша қысқартуға болады.
- Шашты қиюдың ең жақсы нәтижесіне құрғақ, ал дымқыл емес шашпен жұмыс істегенде қол жеткізуге болады.
- Біртегіс емес тарамдарды табу үшін шашты тарақпен тараңыз.
- Алғашқы рет шашты қиғаннан кейін ұзынырақ шаш қалдырған дұрыс.
- Құрылғыны игерген сайын сіз өз бетіңізбен қажетті шаш үлгілерін модельдей аласыз.
- Қондырманы ауыстыру алдында триммерді сөндіріңіз және, егер триммер желіден жұмыс істесе, желілік бейімдеуішті электрлік ашалықтан шығарыңыз.

Бірінші қадам

Таңдалған ұстаралар блогына қалдырылатын шаштың ұзындығы 1.6 мм, 3мм немесе 6мм болатын сәйкес қондырманы орнатыңыз. Батырманы (3) басып, триммерді іске қосыңыз. Ұстараларын жоғары қаратып құрылғыны ұстаңыз. Шашты қиюды шаштың есетін жағынан бастаңыз. Триммерді жоғары бағытта баяу жылжытыңыз. Бастың артық жағының астын және құлақтың жанын қиыңыз.

Екінші қадам

Батырманы (3) басып, триммерді сөндіріңіз. Пайдаланылатын ұстаралар блогына байланысты қалдырылатын шаштың ұзындығы 9мм (13мм) болатын сәйкес қондырманы орнатыңыз, триммерді іске қосыңыз және шашты төбеге таяу қиюды жалғастырыңыз.

3 қадам – самай маңындағы шашты қию

Триммерді сөндіріңіз, қалдырылатын шаштың ұзындығы 1.6.мм, 3 мм немесе 6 мм болатын сәйкес қондырманы орнатыңыз,

және самайдағы шашты қиыңыз. Содан кейін, пайдаланылатын ұстаралар блогына байланысты қалдырылатын шаштың ұзындығы 9 мм (13 мм) болатын сәйкес қондырманы орнатыңыз, және төбеге қарай қиюды жалғастырыңыз.

4 қадам – төбе шашты қию

Осыған дейінгі қондырманы 9 мм (13 мм) пайдаланып, көмейден төбеге қарай шаштың өсуіне қарсы қиыңыз.

- Шашты өсуіне қарсы және өсуі бойынша қиюға болады, бірақ өсуіне қарсы қиылған шаштар өсуі бойынша қиылған шашқа қарағанда қысқарақ болатынын есте сақтаңыз.
- Өте қысқа шашты қию үшін қалдырылатын шаштың ұзындығы 1.6 мм, 3 мм немесе 6 мм болатын қондырманы таңдаңыз. Шашты сәл ұзынырақ қалдыру үшін қондырма-тарақтарды 9 мм және 13 мм пайдаланыңыз.
- Анағұрлым ұзын шаш қалдыру үшін шаш тарамдарын саусақтардың арасына қысыңыз және оларды триммермен қиыңыз.
- Тарақты пайдалануға болады: шаш тарамдарын көтеріңіз және оларды машинкамен тарақтың үстінен қиыңыз.
- Өрқашан қиюды бастың артқы жағынан бастаңыз.
- Біркелкі емес тарамдарды табу үшін шашты тарақпен тараңыз.
- Қайшыны шашты түзету үшін пайдаланыңыз.

5 қадам – соңғы бөлім

Шаш үлігісін модельдеудің соңғы сатысында қондырманы шешіңіз, триммерді ұстараларымен шаш жаққа бұрыңыз және самай мен мойындағы шашты ұқыпты түзетіңіз. Триммерге күшпен баспаңыз, ашық ұстаралардың терімен жанасқан кезде жарақат немесе жаралар келтіруге болады. Қиылатын шаштардың ұзындығын ұстарлардың биіктігінің ауыстырғышымен (4) реттеуге болады

Конус тәрізді қию

Қажетті қондырманы орнатыңыз және шашты қиюды бастың артқы жағынан төбесіне қарай бастаңыз. Шашты олардың өсуіне қарсы бастың алдыңғы жағынан және шеттерінен төбесіне қарай қиыңыз. Төбесі жалпақ шаш үлігісін алу үшін тарақты пайдаланыңыз: шаш тарамдарын тарақ бойынша көтеріңіз және қиыңыз. Біркелкі емес тарамдарды табу үшін шашты тарақпен тараңыз.

Сақал мен мұртты қию

Сақалды модельдеу үшін ұстаралар блоктарын (5, 6) қондырмалармен (11, 12, 13, 14, 15) пайдаланыңыз, сонымен қатар қысқа шашқа арналған ұстаралар блогын (детальды триммерді) (7) пайдалануға болады.

- Триммерді игеріп болғанға дейін, қалдырылатын шаштың максималды ұзындығы бар қондырмаларды (14) 9 мм және (15) 13 мм орнатыңыз және біртіндеп қалдырылатын шаштың ұзындығын азайту жағына қарай қондырмаларды ауыстырыңыз.
- Сақалды симметриялы алу үшін беттің бір жағынан құлақтан иекке қарай қиюды бастаңыз, содан кейін беттің екінші жағынан сақалды қиюды қайталаңыз.
- Мұртты қию кезінде алдымен оларды тарап алыңыз және оларды еріннің ортасынан шеттеріне қарай қиюды бастаңыз.

Ескерту: Бір өткенде шаштың шамалы көлемін қиыңыз, қажет болған жағдайда қиылған бөлікке қосымша қию үшін қайта оралуға болады.

- Сақалды қиюдың соңғы сатысында телескопты қондырманы шешіңіз, құрлығыны ұстараларымен өзіңізге қарай бұрыңыз және, триммерге сәл басып, сақалдың қажетті пішінін жасаңыз.
- Триммерге қатты баспаңыз, ашық ұстаралардың терімен жанасуы кезінде өзіңізге жарақат немесе жаралар келтіруіңіз мүмкін.

ҚАЗАҚ

- Жағындыдағы шаштарды қию кезінде триммерді жоғарыдан төменге қозғаңыз, ал мойын жағында триммерді төменнен жоғарыға қарай жылжытыңыз.
- Сіз сақал мен мұртты қиып болғаннан кейін олардың пішінін сақтап жүріңіз.
- Қондырмаларды (11, 12, 13, 14, 15) ұстаралар блогынан (5 немесе 6) шешіңіз. Қылшақпен (17) қиылған шаштың қалдықтарын қондырманың ішкі және сыртқы бетінен жойыңыз.
- Триммер корпусын жұмсақ, сіл дымқыл матамен сүртіңіз, содан кейін құрғатып сүртіңіз.
- Триммерді, ұстаралар блогын (5, 6 немесе 7), қырынатын қондырманы (8), триммерді (10) және желілік бейімдеуішті суға немесе кез-келген басқа сұйықтықтарға матыруға тыйым салынады.
- Сіз қондырманы (11, 12, 13, 14, 15) су ағынымен жуа аласыз, содан кейін оны құрғатып сүртіңіз.
- Ұстаралар блогын (5, 6 немесе 7) ұстаралар жағынан блоктың жоғарғы жағына басып шешіңіз (сур. 1). Қылшақпен (17) ұстаралар блогын және ұстаралар блогының астындағы триммердің ішкі бөлігін тазалаңыз. Блоктың төменгі бөлігін корпустағы ойыққа салып және блоктың (5, 6 немесе 7) жоғарғы бөлігіне басып, ұстаралар блогын орнына орнатыңыз (сур. 2). Бекіткіштердің шыртылы ұстаралар блогының дұрыс орнатылғанын куәландырады.
- Қырынатын қондырма (8) мен триммерді (10) орнату және шешу ұстаралар блогын орнату мен шешуге ұқсас болады.
- Қылшақпен (17) триммердің ішкі қыусын және қондырмаларды тазалаңыз.
- Шашты қиюға арналған жинақты тазалау үшін еріткіштерді немесе қажайтын тазалағыш заттарды пайдалануға тыйым салынады.
- Әр пайдаланған сайын ұстараларды маймен (19) майлаңыз.

Қырыну

Қырырудың ең жақсы нәтижелеріне сіздің теріңіз құрғақ болғанда жетуге болады. Берілген қырыну жүйесіне үйрену үшін сіздің теріңізге 2-3 апта қажет болуы мүмкін.

- Қырынатын ұстараны (8) орнатыңыз.
- Батырманы (3) басып, триммерді іске қосыңыз.
- Теріңізге сәл тигізіп, ілгері-қайтымды және айналмалы қозғалыстарды бір мезгілде жасап, триммерді қолғалтыңыз.
- Қырылып болғаннан кейін, батырманы (3) басып, триммерді сөндіріңіз.
- Қырынатын қондырманы (8) тазалауды жүргізіңіз.

Құлақ пен мұрындағы шашты қиюға арналған триммер

Құлақ пен мұрындағы шашты қиюға арналған триммерді (10) пайдалану кезінде сақ болыңыз. Құлақ саңылауына немесе танауға триммер қондырмасының металл ұштамасын ғана салыңыз..

- Триммерге қондырманы (10) орнатыңыз және оның сенімді орнатылғанына көз жеткізіңіз.
- Батырманы (3) басып, құрылғыны іске қосыңыз.
- Триммердің металл ұштамасын айналмалы және ілгері-қайтымды қозғалыстармен баяу қозғалтыңыз; сақтықты сақтап, мұрын және/немесе құлақтағы шашты қиыңыз.
- Пайдаланып болғаннан кейін батырманы (3) басып, құрылғыны сөндіріңіз.
- Триммерді (10) құлақ пен мұрындағы шашты қию үшін ғана пайдаланыңыз.

ТАЗАЛАУ ЖӘНЕ КҮТІМ

- Пайдаланып болғаннан кейін триммерді сөндіріңіз.

Қырынатын қондырманың (8) күтімі

Қырынатын жүйені үнемі тазалау оны жақсы күйде сақтауға және оның жұмысқа қабілетін сақтауға көмектеседі.

- Бір мезгілде батырманы (9) басыңыз және сыртқы қырынатын блокты шешіңіз.

- Қылшақты (17) пайдаланып, сыртқы қырынатын блоқты ішкі және сыртқы жағынан, сонымен қатар ішкі қиятын блоқты тазалаңыз.
- Сыртқы қырынатын блоқты орнына орнатыңыз.

САҚТАУ

- Құрылғыны сақтауға қойғанға дейін, оны тазалауды жүргізіңіз және ұстараларды маймен (19) жағыңыз.
- Сіз ұстарлар блогына (5 немесе 6) қорғаныс қақпақты (20) орната аласыз.
- Құрылғыны құрғақ салқын, балалардың қолы жетпейтін жерде сақтаңыз.

ЖЕТКІЗІЛІМ ЖИНАҒЫ


1. Ұстаралар блогы (40 мм) бар шаш қиюға арналған триммер – 1 дн.
2. Желілік бейімдеуіш – 1 дн.
3. Ұстаралар блогы 30мм – 1 дн.
4. Қысқа шашқа арналған ұстаралар блогы (детальды триммер) – 1 дн.
5. Ұстаралар блогына арналған қорғаныс қақпақ – 1 дн.
6. Қондырмалар – ұстаралар блогына 30мм және 40 мм арналған тарақтар – 5 дн.
7. Майлайтын май – 1 дн.
8. Тазалауға арналған қылшақ – 1 дн.
9. Қырынатын қондырма – 1 дн.
10. Құлақ пен мұрындағы шашты қиюға арналған триммер – 1 дн.
11. Нұсқаулық – 1 дн.

ТЕХНИКАЛЫҚ СИПАТТАМАЛАРЫ

Шашты қиюға арналған триммер:

Қуаты: 2,4Вт
 Іштетілген аккумуляторлық батареялары:
 Ni-MH 2×AAA 800 мАч 1,2 В
 Қуаттандыру уақыты: 8 сағат
 Жұмыс істеу қуаты: 45 мин.

Желілік бейімдеуіш:

Кіру: 100-240 В ~ 50/60 Гц 0,2 А
 Шығу: 3В  1000 мА
 Тұтынатын қуаты: 3,3Вт

Өндіруші құрылғы сипаттамаларын алдын-ала хабарлаусыз өзгерту құқығын сақтайды.

Құрылғының қызмет ету мерзімі – 3 жыл

Гарантиялық міндеттілігі

Гарантиялық жағдайдағы қаралып жатқан бөлшектер дилерден тек сатып алынған адамға ғана беріледі. Осы гарантиялық міндеттілігіндегі шағымдалған жағдайда төлеген чек немесе квитанциясын көрсетуі қажет.

EAC

УКРАЇНСЬКИЙ

ПРИМЕР ДЛЯ ВОЛОССЯ VT-2548 BK

Тример призначений для підстригання, вирівнювання і коригування волосся. До комплекту входять насадки різного розміру, які полегшують догляд за волоссям і різними ділянками тіла. Можливість механічного регулювання висоти лез дозволяє встановити оптимальний з вашої точки зору варіант довжини волосся (від 0,4 мм до 1,8 мм).

ОПИС

1. Гніздо для підключення мережного адаптера
2. Індикатор зарядження
3. Кнопка увімкнення/вимкнення живлення «**⏻**»
4. Перемикач висоти лез 0,4/0,8/1,8 мм
5. Блок лез 30 мм – U blade
6. Блок лез 40 мм – T blade
7. Блок лез для короткого волосся (детальна насадка)
8. Бритвена насадка
9. Кнопка фіксатора зовнішнього бриючого блоку
10. Тример для підстригання волосся у вухах та в носі
11. Насадка-гребінець (1,6 мм)
12. Насадка-гребінець (3 мм)
13. Насадка-гребінець (6 мм)
14. Насадка-гребінець (9 мм)
15. Насадка-гребінець (13 мм)
16. Фіксатор насадки
17. Щіточка для чищення
18. Мережний адаптер
19. Масильна олива
20. Захисна кришка для блоку лез

ЗАХОДИ БЕЗПЕКИ

Перед початком використання пристрою уважно прочитайте дану інструкцію і зберігайте її в якості довідкового матеріалу протягом всього терміну експлуатації. Використовуйте пристрій лише за його прямим призначенням, як викладено в даній інструкції. Неправильне використання пристрою може привести до його

поломки, завдання шкоди користувачеві або його майну.

- Перед першим підключенням пристрою до електромережі для зарядження акумуляторної батареї переконайтеся у тому, що напруга електричної мережі відповідає робочій напрузі мережного адаптера.
- Шнур мережного адаптера не повинен:
 - стикатися з гарячими предметами та поверхнями;
 - занурюватися у воду;
 - протягуватися через гострі кромки меблів;
 - використовуватися в якості ручки для перенесення пристрою.
- Зовнішня бриюча сітка бритвеної насадки дуже тонка, щоб уникнути пошкодження бриючої сітки не прикладайте до неї надмірних зусиль під час гоління або чищення.
- Щоб уникнути травм, не користуйтеся бритвою за наявності пошкоджень зовнішньої бриючої сітки або внутрішнього бриючого блоку.
- Дотримуйтеся обережності при використанні тримера для підстригання волосся у вухах та в носі. В вушну раковину або ніздрю вставляйте тільки металевий наконечник насадки тримера.
- Не торкайтеся до корпусу мережного адаптера мокрими руками.
- Використовуйте пристрій лише для підстригання сухого волосся.
- Використовуйте пристрій лише для підстригання природного людського волосся.
- Забороняється використовувати пристрій для підстригання штучного волосся і волосся тварин.
- Використовуйте тільки насадки та мережний адаптер з комплекту поставлення.
- Не використовуйте пристрій в місцях з підвищеною температурою і відносною вологістю більше 80%.

- Забороняється використовувати прилад поза приміщеннями.
 - Робіть зарядження акумуляторної батареї при температурі від +5°C до +35°C.
 - Забороняється використовувати пристрій з пошкодженими насадками або лезами.
 - **УВАГА!** Тримайте прилад сухим. Забороняється занурювати пристрій та мережний адаптер у воду або у будь-які інші рідини.
 - Перед початком роботи переконайтеся, що блок лез і насадки встановлені правильно.
 - Вимикайте пристрій перед установленням, зняттям насадок і блоків лез.
 - Не використовуйте пристрій в безпосередній близькості від ванни / душа, а також ємностей, наповнених водою. Близькість води становить небезпеку навіть у тих випадках, коли пристрій вимкнений вимикачем.
 - Якщо прилад упав у воду, негайно вийміть мережний адаптер з електричної розетки, і тільки після цього можна дістати прилад із води.
 - Завжди стежте за чистотою лез і наявністю на них мастильної оливи.
 - Після кожного використання очищайте насадки і блоки лез від зрізаного волосся за допомогою щітки.
 - Ніколи не залишайте працюючий пристрій без нагляду.
 - Вимикайте пристрій під час перерв у роботі або коли ви пристроєм не користуєтесь.
 - Не дозволяйте дітям торкатися до мережного адаптера під час заряджання пристрою.
 - Не дозволяйте дітям використовувати пристрій в якості іграшки.
 - Даний пристрій не призначений для використання дітьми.
 - Під час роботи і у перервах між робочими циклами розміщайте пристрій у місцях, недоступних для дітей і людей з обмеженими можливостями.
 - Пристрій не призначений для використання особами (включаючи дітей) зі знизженими фізичними, психічними і розумовими здібностями або при відсутності у них досвіду або знань, якщо вони не знаходяться під контролем або не проінструктовані щодо використання пристрою особою, відповідальною за їх безпеку.
 - Будьте особливо уважні, якщо поблизу від працюючого приладу знаходяться діти або особи з обмеженими можливостями.
 - З міркувань безпеки дітей не залишайте поліетиленові пакети, що використовуються в якості упаковок, без нагляду.
- Увага!** Не дозволяйте дітям грати з поліетиленовими пакетами або пакувальною плівкою. **Загроза ядухи!**
- Забороняється самостійно ремонтувати пристрій. Не розбирайте прилад самостійно, при виникненні будь-яких несправностей, а також після падіння пристрою, вимкніть прилад з електричної розетки й зверніться в будь-який авторизований (уповноважений) сервісний центр за контактною адресою, зазначеною в гарантійному талоні і на сайті www.vitek.ru.
 - Щоб уникнути пошкоджень, перевозьте пристрій лише у заводській упаковці.
 - Зберігайте пристрій у сухому прохолодному місці, недоступному для дітей і людей з обмеженими можливостями.
- ПРИСТРІЙ ПРИЗНАЧЕНИЙ ЛИШЕ ДЛЯ ПОВУТОВОГО ВИКОРИСТАННЯ**
- ПЕРЕД ПЕРШИМ ВИКОРИСТАННЯМ:**
Після транспортування або зберігання приладу при знизжених температурі необхідно витримати його при кімнатній температурі не менше трьох годин.
- Повністю розпакуйте пристрій та видаліть будь-які наклейки, що заважають роботі пристрою.

УКРАЇНСЬКИЙ

- Перевірте цілісність пристрою, за наявності пошкоджень не користуйтеся пристроєм.
- Перед вмиканням мережного адаптера переконайтеся, що напруга електричної мережі відповідає робочій напрузі пристрою.
- Проведіть заряджання акумуляторної батареї і змащування блоку лез відповідно до рекомендацій, зазначених нижче.
- *Робить зарядження акумуляторів при температурі не нижче +5°C і не вище +35°C.*
- *Якщо Ви не користувалися тримером протягом місяця і більше, повністю зарядіть його перед використанням.*
- *Не залишайте увімкнутий в мережу прилад без нагляду.*

Тример для волосся може працювати від мережного адаптера і від вбудованої акумуляторної батареї.

Заряджання акумуляторної батареї

Заряду повністю зарядженої акумуляторної батареї вистачає приблизно на 45 хвилин безперервної роботи.

- Вимкніть пристрій, натиснувши на кнопку (3).
- Вставте штекер шнура мережного адаптера (18) в гніздо тримера (1) з нижнього боку корпусу.
- Покладіть тример на рівну стійку поверхню.
- Вставте вилку мережного адаптера (18) в електричну розетку, при цьому індикатор зарядки (2) спалахне червоним кольором.
- Час повного заряджання акумуляторної батареї становить 8 годин, щоб уникнути скорочення терміну служби акумуляторів не перевищуйте його.
- Після того, як акумулятори будуть заряджені, витягніть мережний адаптер (18) з розетки електромережі та вийміть штекер проводу мережного адаптера з гнізда (1), індикатор заряджання (2) при цьому згасне.

Увага:

- *Перед першим використанням перші 2-3 рази заряджайте тример протягом 15 годин. Тривалість подальших зарядок не повинна перевищувати 8 годин.*
- *Для того щоб забезпечити тривалий термін служби акумуляторів, вони повинні бути повністю розряджені перед кожною наступною зарядкою.*

Використання мережного адаптера

Якщо ви хочете продовжувати використання тримера при частково розрядженому акумуляторі, підключіть штекер шнура мережного адаптера (18) в гніздо тримера (1) з нижнього боку корпусу, вставте вилку мережного адаптера (18) в електричну розетку, включіть тример, натиснувши на кнопку (3), при цьому індикатор заряджання (2) буде горіти червоним кольором.

Змащування блоку лез

Перед першим використанням зніміть блок лез і змастіть його оливою (19) (входить до комплекту постачання).

- Для зняття блоку лез розташуйте тример лезами вгору і натисніть великим пальцем на верхню кромку блоку лез (мал. 1).
- Нанесіть мастильну оливу до місця контакту рухомої і нерухомої частин лез.
- Для установлення блоку лез спочатку встановіть нижню його частину в посадкове місце, а потім акуратно натисніть на верхню кромку лез до клацання для фіксації (мал. 2).
- Дайте тримеру попрацювати приблизно 30 секунд, щоб олива розподілилася по тертьовим поверхням. Після цього видавіть надлишки оливи сухою тканиною або паперовою серветкою.

Примітки:

- *Змащуйте леза після кожного використання тримеру.*
- *Використовуйте тільки ту оливу (19), що входить до комплекту постачання або оливу, призначену для аналогічних пристроїв.*

– Не використовуйте рослину олію або оливу, до складу якої входять розчинники. Розчинники шкідливі до випару, а густа олива, що залишилася, сповільнить швидкість переміщення лез.

Перемикач висоти лез (4)

Довжину волосся, що зрізується, можна регулювати перемикачем висоти лез (4): положення 1 – довжина волосся, що зрізується 1,8 мм; положення 2 – довжина волосся, що зрізується 0,8мм; положення 3 – довжина волосся, що зрізується 0,4мм.

Установлення блоку лез (5, 6, 7)

- Для установлення блоку лез (5, 6 або 7) спочатку встановіть нижню його частину в посадкове місце, а потім акуратно натисніть на верхню кромку лез до клацання для фіксації (мал. 2).
- Для зняття блоку лез (5, 6 або 7) розташуйте тример лезами вгору і натисніть великим пальцем на верхню кромку блоку лез (мал. 1).

Установлення насадки-гребінця (11, 12, 13, 14, 15)

- Перед установленням, зняттям або заміною насадки-гребінця (11, 12, 13, 14, 15) вимкніть пристрій, натиснувши на кнопку (3), при роботі від мережного адаптера витягніть його з електричної розетки.
- Насадки (11, 12, 13, 14, 15) встановлюються на блоки лез 40 мм (6) і 30 мм (5).
- Щоб встановити насадку (11, 12, 13, 14, 15), вставте передню кромку блоку лез (5) і (6) в верхню частину насадки (мал. 3), і натисніть на фіксатор насадки (16) до клацання для фіксації (мал. 4).
 - Насадка-гребінець (11) дозволяє залишати висоту волосся 1,6 мм;
 - Насадка-гребінець (12) дозволяє залишати висоту волосся 3 мм;
 - Насадка-гребінець (13) дозволяє залишати висоту волосся 6 мм;

- Насадка-гребінець (14) дозволяє залишати висоту волосся 9 мм;
- Насадка-гребінець (15) дозволяє залишати висоту волосся 13 мм.
- Для зняття насадки великим пальцем натисніть на фіксатор насадки (16) (мал. 5).

Установлення бритвеної насадки (8) і тримера (10)

- Установлення і зняття бритвеної насадки (8) і тримера (10) аналогічні установленню та зняттю блоку лез.

ВИКОРИСТАННЯ ТРИМЕРА

- Для роботи від акумуляторної батареї, зробіть повну її зарядку відповідно до рекомендацій, описаних вище.
- Для роботи від електричної мережі підключіть штекер шнура мережного адаптера (18) в гніздо тримера (1) з нижнього боку корпусу і вставте вилку мережного адаптера (18) в електричну розетку.
- Встановіть потрібний блок лез (5, 6 або 7), бритвену насадку (8) або тример (10).
- Перед початком підстригання ввімкніть тример, натиснувши на кнопку (3).
- Переконайтеся у тому, що пристрій працює без збоїв, а хід лез – плавний. При надлишку мастильної оливи на лезах видаліть оливу за допомогою сухої тканини.
- Якщо ви працюєте з тримером, підключеним до мережного адаптера, стежте за станом шнура мережного адаптера, не допускайте його багаторазового перекручування, періодично вимикайте тример і розправляйте шнур мережного адаптера.
- Якщо необхідно встановити одну з насадок (11, 12, 13, 14, 15), вимкніть пристрій, натиснувши на кнопку (3), потім встановіть насадку.
- Увімкніть пристрій, натиснувши на кнопку (3).
- Після завершення роботи з пристроєм натисніть на кнопку (3).

УКРАЇНСЬКИЙ

Примітки:

- *Вимикайте тример під час перерв роботи пристрою.*
- **Перед заміною насадки вимикайте тример і, якщо тример працює від електромережі, виймайте мережний адаптер з електричної розетки.**

Підстригання волосся

Для створення зачіски використовуйте блоки лез (5, 6) і насадки (11, 12, 13, 14, 15).

Для художнього вистригання рисунків на короткому волоссі можна використовувати блок лез для короткого волосся (детальний тример) (7).

- Під час підстригання волосся має бути чистим.
- Ви також можете робити вологе підстригання.
- Встановіть необхідний блок лез (5, 6 або 7).
- Встановіть на блок лез (5, 6) відповідну насадку (11, 12, 13, 14, 15).
- Посадіть людини таким чином, щоб її голова була приблизно на рівні ваших очей, прикрийте плечі рушником, розчешіть волосся за допомогою гребінця.
- Увімкніть тример, натиснувши на кнопку (3).

Нагадування

- *Зрізуйте невелику кількість волосся за один прохід, у разі потреби завжди можна повернутися до вже підстриженої ділянки для додаткового підстригання.*
- *Найкращі результати підстригання досягаються при роботі з сухим, а не вологим волоссям.*
- *Розчісуйте волосся гребінцем для виявлення нерівних пасом.*
- *Для першого разу після підстригання краще залишити довше волосся.*
- *У міру освоєння пристрою ви зможете самостійно моделювати необхідні зачіски.*
- **Перед заміною насадки вимикайте тример і, якщо тример працює від електромережі, виймайте мережний адаптер з електричної розетки.**

Крок перший

На обраний блок лез встановіть відповідну насадку таким чином, щоб довжина волосся, що залишається, становила 1,6 мм, 3 мм або 6 мм. Увімкніть тример, натиснувши на кнопку (3). Тримайте пристрій таким чином, щоб леза були направлені вгору. Починайте підстригання з початку зростання волосся. Повільно переміщайте тример по напрямку вгору. Підстрижіть все волосся знизу задньої частини голови і біля вух.

Крок другий

Вимкніть тример, натиснувши на кнопку (3). Встановіть відповідну насадку таким чином, щоб довжина волосся, що залишається, становила 9 мм (13 мм), включіть тример і продовжіть стригти волосся ближче до маківки.

Крок 3 – підстригання у ділянці скронь

Вимкніть тример, встановіть відповідну насадку таким чином, щоб довжина волосся, що залишається, становила 1,6 мм, 3 мм або 6 мм, і підстрижіть волосся на скронях. Потім встановіть відповідну насадку таким чином, щоб довжина волосся, що залишається, становила 9 мм (13 мм), і продовжіть підстригання у напрямку до маківки.

Крок 4 – підстригання у ділянці тімені

Використовуючи попередню насадку 9 мм (13 мм), стрижіть волосся по напрямку від маківки до тімені, проти напрямку зростання волосся.

- Волосся можна стригти проти напрямку зростання і по напрямку їх зростання, але майте на увазі, що волосся, підстрижене проти напрямку його зростання, буде коротше за волосся, підстрижене по напрямку зростання.
- Для дуже короткої стрижки вибирайте відповідну насадку, щоб довжина волосся, що залишається, становила 1,6 мм, 3 мм або 6 мм. Щоб залишити волосся трохи довше, використовуйте насадки-гребінці 9 мм і 13 мм.

- Щоб залишити довше волосся, затискайте пасма волосся між пальцями і зістригайте їх тримером.
- Можна використовувати гребінець: піднімайте пасма волосся і зістригайте їх тримером поверх гребінця.
- Завжди починайте підстригання з задньої частини голови.
- Розчісуйте волосся гребінцем для виявлення нерівних пасом.
- Використовуйте ножиці для підрівнювання волосся.

Крок 5 – заключна частина

В заключній стадії моделювання зачіски зніміть насадку, розверніть тример лезами у бік волосся і акуратно підрівняйте волосся на скронях і на шиї. Не тисніть сильно на тример, при контакті відкритих лез зі шкірою можна отримати травму або порізи. Довжину волосся, що зрізується, можна регулювати перемикачем висоти лез (4).

Конусоподібна стрижка

Встановіть необхідну насадку і почніть підстригання із задньої частини голови у напрямку до маківки. Підстрижіть волосся проти напрямку їх росту з передньої частини голови у напрямку до маківки і з боків. Для отримання стрижки з плоскою маківкою використовуйте гребінець: піднімайте і зістригайте пасма волосся по гребінцю. Розчісуйте волосся гребінцем для виявлення нерівних пасом.

Підстригання бороди та вусів

Для моделювання бороди використовуйте блоки лез (5, 6) і насадки (11, 12, 13, 14, 15), можна також використовувати блок лез для короткого волосся (детальний тример) (7).

- Поки ви не засвоїли тример, краще встановлюйте насадки (14) 9 мм і (15) 13 мм, з максимальною довжиною волосся, що залишається, і поступово переводьте насадки в сторону зменшення довжини волосся, що залишається.

- Для того, щоб підстригти бороду симетрично, починайте підстригання по напрямку від вуха у бік підборіддя з одного боку обличчя, а потім повторіть підстригання бороди з іншого боку обличчя.
- При підстриганні вусів спочатку розчішіть їх, а потім починайте підстригати їх від середини до кутків губів.

Примітка: Зрізуйте невелику кількість волосся за один прохід, у разі потреби завжди можна повернутися до вже підстриженої ділянки для додаткового підстригання.

- В заключній стадії підстригання бороди зніміть телескопічну насадку, поверніть пристрій лезами до себе і, злегка натискаючи на тример, створіть необхідний контур бороди.
- Не тисніть сильно на тример, при контакті відкритих лез зі шкірою можна отримати травму або порізи.
- Підстригаючи волосся на щоках, переміщайте тример зверху вниз, а у ділянці шиї переміщайте тример знизу угору.
- Після того, як ви підстригли бороду та вуси, підтримуйте їх форму.

Гоління

Найкращі результати гоління досягаються в тому випадку, якщо ваша шкіра суха. Вашій шкірі може знадобитися 2-3 тижні для того, щоб звикнути до даної системи гоління.

- Установіть бритвену насадку (8).
- Увімкніть тример, натиснувши на кнопку (3).
- Злегка торкаючись шкіри, переміщайте тример, здійснюючи одночасно зворотньо-поступальні і обертальні рухи.
- Після закінчення гоління вимкніть тример, натиснувши на кнопку (3).
- Зробіть чищення бритвеної насадки (8).

Тример для підстригання волосся у вухах та в носі

Дотримуйтеся обережності при використанні тримера для підстригання волосся у вухах та в носі (10). В вушну раковину

УКРАЇНСЬКИЙ

або в нідзрю вставляйте тільки металевий наконечник насадки тримера.

- Встановіть на тример насадку (10) та перевірте, чи надійно вона встановлена.
- Увімкніть пристрій, натиснувши на кнопку (3).
- Плавню переміщайте металевий наконечник тримера круговими та зворотно-поступальними рухами; дотримуючись обережності, підстрижіть волосся у носі та/або у вухах.
- Після використання вимкніть пристрій, натиснувши на кнопку (3).
- Використовуйте тример (10) тільки для підстригання волосся у вухах та в носі.

ЧИЩЕННЯ ТА ДОГЛЯД

- Вимкніть тример після використання.
- Зніміть насадки (11, 12, 13, 14, 15) з блоку лез (5 або 6). Щіточкою (17) видаліть залишки зстриженого волосся із зовнішньої і внутрішньої поверхні насадки.
- Корпус тримера протирайте м'якою, злегка вологою тканиною, після чого витріть досуха.
- Забороняється занурювати тример, блоки лез (5, 6 або 7), бритвену насадку (8), тример (10) і мережний адаптер в воду і будь-які інші рідини.
- Ви можете промити насадку (11, 12, 13, 14, 15) під струменем теплої води, після чого витріть її та просушіть.
- Зніміть блок лез (5, 6 або 7), натиснувши на верхню частину блоку з боку лез (мал. 1). Щіточкою (17) очистіть блок лез та внутрішню порожнину тримеру під блоком лез. Встановіть блок лез (5, 6 або 7) на місце, вставивши нижню частину блоку в паз на корпусі, і натиснувши на верхню частину блоку (мал. 2). Клацання фіксаторів свідчить про правильне установлення блоку лез.
- Установлення і зняття бритвеної насадки (8) і тримера (10) аналогічні установленню та зняттю блоку лез.

- Щіточкою (17) очистіть внутрішню порожнину тримера і насадок.
- Забороняється використовувати для чищення набору для підстригання розчинники або абразивні чистячі засоби.
- Після кожного використання і чищення змащуйте леза оливою (19).

Догляд за бритвеною насадкою (8)

Регулярне чищення допомагає підтримувати бритвену систему у хорошому стані та зберігати її працездатність.

- Одночасно натисніть на кнопки (9) і зніміть зовнішній бриючий блок.
- Використовуючи щіточку (17), прочистіть із внутрішньої та зовнішньої сторони зовнішній бриючий блок, а також внутрішній ріжучий блок.
- Установіть зовнішній бриючий блок на місце.

ЗБЕРІГАННЯ

- Перед тим, як прибрати пристрій на зберігання, зробіть його чищення і змастіть леза оливою (19).
- Ви можете встановити захисну кришку (20) на блок лез (5 або 6).
- Зберігайте пристрій в сухому прохолодному місці, недоступному для дітей.

КОМПЛЕКТ ПОСТАЧАННЯ

1. Тример для підстригання, з блоком лез (40 мм) – 1 шт.
2. Мережний адаптер – 1 шт.
3. Блок лез 30 мм – 1 шт.
4. Блок лез для короткого волосся (детальний тример) – 1 шт.
5. Захисна кришка для блоку лез – 1 шт.
6. Насадки – гребінці для блоків лез 30 мм x 40 мм – 5 шт.
7. Мазильна олива – 1 шт.
8. Щіточка для чищення – 1 шт.
9. Бритвена насадка – 1 шт.
10. Тример для підстригання волосся у вухах та в носі – 1 шт.
11. Інструкція – 1 шт.

ТЕХНІЧНІ ХАРАКТЕРИСТИКИ**Триммер для підстригання:**

Потужність: 2,4 Вт

Вбудовані акумуляторні батареї:

Ni-MH 2xAAA 800 мАг 1,2 В

Час заряджання: 8 годин

Час роботи: 45 хв.

Мережний адаптер:

Вхід: 100-240 В ~ 50/60 Гц 0,2 А

Вихід: 3В  1000 мА

Споживана потужність: 3,3 Вт

Виробник залишає за собою право змінювати характеристики приладів без попереднього повідомлення

Термін служби приладу – 3 роки

Гарантія

Докладні умови гарантії можна отримати в дилера, що продав дану апаратуру. При пред'явленні будь-якої претензії протягом терміну дії даної гарантії варто пред'явити чек або квитанцію про покупку.



Даний виріб відповідає вимогам до електромагнітної сумісності, що пред'являються директивою 2004/108/ЕС Ради Європи й розпорядженням 2006/95/ЕС по низьковольтних апаратурах.

GB

A production date of the item is indicated in the serial number on the technical data plate. A serial number is an eleven-unit number, with the first four figures indicating the production date. For example, serial number 0606xxxxxx means that the item was manufactured in June (the sixth month) 2006.

RUS

Дата производства изделия указана в серийном номере на табличке с техническими данными. Серийный номер представляет собой одиннадцатизначное число, первые четыре цифры которого обозначают дату производства. Например, серийный номер 0606xxxxxx означает, что изделие было произведено в июне (шестой месяц) 2006 года.

KZ

Бұйымның шығарылған мерзімі техникалық деректері бар кестедегі сериялық нөмірде көрсетілген. Сериялық нөмір он бір саннан тұрады, оның бірінші төрт саны шығару мерзімін білдіреді. Мысалы, сериялық нөмір 0606xxxxxx болса, бұл бұйым 2006 жылдың маусым айында (алтыншы ай) жасалғанын білдіреді.

UA

Дата виробництва виробу вказана в серійному номері на табличці з технічними даними. Серійний номер представляє собою одинадцятизначне число, перші чотири цифри якого означають дату виробництва. Наприклад, серійний номер 0606xxxxxx означає, що виріб був виготовлений в червні (шостий місяць) 2006 року.



ЗАПРЕЩЕНО УТИЛИЗИРОВАТЬ
С БЫТОВЫМ МУСОРОМ.
ОБРАТИТЕСЬ НА СООТВЕТСТВУЮЩИЙ
ПУНКТ ПЕРЕРАБОТКИ ЭЛЕКТРИЧЕСКОГО
И ЭЛЕКТРОННОГО ОБОРУДОВАНИЯ.