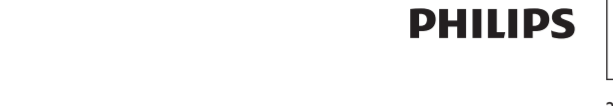


EN User manual	LV Lietotāja rokasgrāmata
RU Руководство по пользованию	PL Instrukcja obsługi
CS Příručka pro uživatele	RO Manual de utilizare
LT Naudojimo instrukcija	SK Príručka používateľa
IT Guida all'utente	SR Priručnik za korisnika
FR Manuel de l'utilisateur	SL Uporabnikova priročnik
DE Bedienungsanleitung	SK Priručka používateľa
KK Қолданушының нұсқауы	SL Uporabnikova priročnik
LT Naudojimo instrukcija	SK Príručka používateľa
UK Відео інструкція	UK Посібник користувача



Comb through your hair and divide into small sections.

- 1 Select the desired setting to switch on the appliance. (A)
- 2 **Care:** Warm temperature with strong airflow to set your style.
- 3 High temperature with strong airflow for fast drying.
- 4 Warm temperature with gentle airflow to protect damp hair from becoming too hot.
- 5 Cool.

(Only for HP8664/HP8666) The Ion function is automatically activated when the appliance is switched on. The function provides additional ionic and reduces frizz.

With 38mm / 50mm mixed bristle brushes

- 1 Place the brush into the hair. Press the rotation direction button (C) and roll up to lock.
- 2 Keep the brush on hair roots until the hair is completely dry.
- 3 Press the rotation direction button (C) in the opposite direction to move the brush away from the hair.
- 4 (HP8664/HP8666) To create frizz, press and hold the rotation direction button (C) while continuously brushing in eitherwards or downwards direction to lift only hair ends.

With retractable bristle brush

- 1 Plug the brush into the hair. (C) is fully retracted the bristles.
- 2 (D) Wrap hair up around the barrel.
- 3 (E) Once the hair is secure, press the rotating button (D) to wind up the hair.
- 4 Keep the brush in the position until your hair is completely dry.
- 5 (F) Turn the knob to retract the bristles and remove the brush from your hair.

After styling:

Apply hair spray to your hair to fix the style for long lasting results.

- Spooling Tips**
- The brush attachments work the best when hair is 80% dry. It is recommended to use **LOW SPEED** setting when styling with a diffuser.
- Take smaller hair strands for more defined result.
- Do not touch hair from touching frizz instead to have short parts when styling with a diffuser.

Important

Read this user manual carefully before you use the appliance and keep it for future reference.

- WARNING: Do not use this appliance near water.**
- When the appliance is used in a bathroom, unplug it after use since the proximity of water presents a risk, even when the appliance is switched off.
- WARNING: Do not use this appliance near bathtubs, showers, basins or other vessels containing water.**
- Always unplug the appliance after use.
- If the appliance overheats, it switches off automatically. Unplug the appliance and let it cool down for a few minutes. Before you switch the appliance on again, check the grilles to make sure they are not blocked by fluff, hair etc.

Български

Прочетете ръководството и добър съвет е да посетите интернет-страницата на Philips, за да разгледайте избор от продукти на Philips, подходящи за вас.

1 Важни

Преди да използвате уред, прочетете внимателно това ръководство и съхранявайте го за справка в бъдеще.

- ПРЕДУПРЕЖДЕНИЕ:** Не използвайте уреда без изод вода. Ако уредът се използва в банята, след употреба го изключвайте от контакта. Безопасно до вода води до ризик, дори когато уредът не работи.

- ПРЕДУПРЕЖДЕНИЕ:** Не използвайте уреда без изод вода, душове, мивки или други съдове с вода.
- След употреба винаги изключвайте уреда от контакта.
- При прегряване уредът се изключва автоматично. Изключете уреда и го оставете да изстива няколко минути. Преди да включите отново уреда, проверете дали рещетките (RCD) в електричния circuit that supplies the bathroom. This RCD must have a rated residual operating current not higher than 30mA. Ask your installer for advice.

- Never block the air grilles.
- When you connect the appliance, ensure that the voltage indicated on the appliance corresponds to the local power voltage.
- Do not use the appliance for any other purpose than described in this manual.
- Do not use the appliance on artificial hair.
- Only use the appliance on human hair.
- When the appliance is connected to the power, never leave it unattended.
- Never use any accessories or parts from other manufacturers or that Philips does not specifically recommend. If you use such accessories or parts, your guarantee becomes invalid.
- Do not wind the mains cord round the appliance.
- Wait until the appliance has cooled down before you store it.
- Prevent the hot surfaces of the appliance from coming into contact with your skin.
- If you use the appliance on color-treated hair, the brush body surface may stain.
- Do not rinse the appliance/brushes under the tap.
- Do not activate brush rotation switch without any attachment attached.
- Do not insert metal objects into the air grilles to avoid electric shock.

Electromagnetic fields (EMF)

This product complies with all applicable standards and regulations regarding exposure to electromagnetic fields.

Environment

This product is designed and manufactured with high quality materials and components, which can be recycled and reused. Please do not discard this product as general waste. This product is a product & its contact coating is covered by the European Directive 2012/19/EU.

2 Introduction

The Philips Dynamic Volumizer is an airbrush with automatic rotation system that lets you create different styles, while keeping hair smooth and shiny. The mixed bristle brush adds volume and movement, while the retractable bristle brush defines waves without tangles. The ultra-fine nylon boar bristles covering protects and relaxes hair while you style. The special coating consists of nano-relaxant with hot spots and adds shine without frizz.

- 3 Overview**
- Brush rotation switch
- Rotation speed switch (I-LOW/II-HIGH)
- Heated temperature and airflow switch
- On/Off
- Pause
- High speed lock
- 38mm mixed bristle brush
- 50mm mixed bristle brush
- Retractable bristle brush

4 Use the Airstyle

We recommend that you practice the appliance using low rotation speed (I) for 2 to 3 minutes so you can get used to how the rotation works.

Note

- Always let the appliance cool down before you connect or disconnect the attachments.
- Let the appliance rest effectively on towels or protective mat.
- To prevent excessive pulling of hair, the appliance is provided with a security feature. If the pressure of your hair on the brush exceeds a certain limit, the rotation slows down.

(A) Place the brush attachment that best fits your desired hairstyle and keep it into the hair.

(B) To remove the attachment, press the brush rotation button and pull it off.

1. Turn on the appliance.

- Press and hold the power button (A) for 3 seconds.
- Press and hold the power button (A) for 3 seconds.
- Press and hold the power button (A) for 3 seconds.

2. Choose your styling settings.

- Press the temperature and airflow switch (B) to select the desired setting.
- Press the rotation speed switch (C) to select the desired setting.

3. Style your hair.

- Place the brush (D) into the hair and divide it into small sections.
- Press the rotation direction button (E) and roll up to lock.
- Keep the brush on the hair until it is completely dry.
- Press the rotation direction button (E) in the opposite direction to move the brush away from the hair.

4. After styling.

- Apply hair spray to your hair to fix the style for long lasting results.

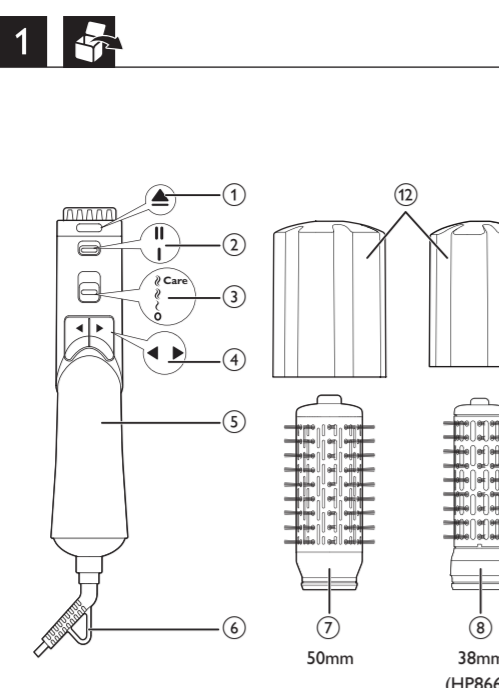
Spooling Tips

- The brush attachments work the best when hair is 80% dry. It is recommended to use **LOW SPEED** setting when styling with a diffuser.
- Take smaller hair strands for more defined result.
- Do not touch hair from touching frizz instead to have short parts when styling with a diffuser.

Important

Read this user manual carefully before you use the appliance and keep it for future reference.

- WARNING: Do not use this appliance near water.**
- When the appliance is used in a bathroom, unplug it after use since the proximity of water presents a risk, even when the appliance is switched off.
- WARNING: Do not use this appliance near bathtubs, showers, basins or other vessels containing water.**
- Always unplug the appliance after use.
- If the appliance overheats, it switches off automatically. Unplug the appliance and let it cool down for a few minutes. Before you switch the appliance on again, check the grilles to make sure they are not blocked by fluff, hair etc.



38mm / 50mm mixed bristle brushes

- 1 Place the brush into the hair. Press the rotation direction button (C) and roll up to lock.
- 2 Keep the brush on hair roots until the hair is completely dry.
- 3 Press the rotation direction button (C) in the opposite direction to move the brush away from the hair.
- 4 (HP8664/HP8666) To create frizz, press and hold the rotation direction button (C) while continuously brushing in eitherwards or downwards direction to lift only hair ends.

With retractable bristle brush

- 1 Plug the brush into the hair. (C) is fully retracted the bristles.
- 2 (D) Wrap hair up around the barrel.
- 3 (E) Once the hair is secure, press the rotating button (D) to wind up the hair.
- 4 Keep the brush in the position until your hair is completely dry.
- 5 (F) Turn the knob to retract the bristles and remove the brush from your hair.

After styling:

Apply hair spray to your hair to fix the style for long lasting results.

- Spooling Tips**
- The brush attachments work the best when hair is 80% dry. It is recommended to use **LOW SPEED** setting when styling with a diffuser.
- Take smaller hair strands for more defined result.
- Do not touch hair from touching frizz instead to have short parts when styling with a diffuser.

Important

Read this user manual carefully before you use the appliance and keep it for future reference.

- WARNING: Do not use this appliance near water.**
- When the appliance is used in a bathroom, unplug it after use since the proximity of water presents a risk, even when the appliance is switched off.
- WARNING: Do not use this appliance near bathtubs, showers, basins or other vessels containing water.**
- Always unplug the appliance after use.
- If the appliance overheats, it switches off automatically. Unplug the appliance and let it cool down for a few minutes. Before you switch the appliance on again, check the grilles to make sure they are not blocked by fluff, hair etc.

Български

Прочетете ръководството и добър съвет е да посетите интернет-страницата на Philips, за да разгледайте избор от продукти на Philips, подходящи за вас.

1 Важни

Преди да използвате уред, прочетете внимателно това ръководство и съхранявайте го за справка в бъдеще.

- ПРЕДУПРЕЖДЕНИЕ:** Не използвайте уреда без изод вода. Ако уредът се използва в банята, след употреба го изключвайте от контакта. Безопасно до вода води до ризик, дори когато уредът не работи.

- ПРЕДУПРЕЖДЕНИЕ:** Не използвайте уреда без изод вода, душове, мивки или други съдове с вода.
- След употреба винаги изключвайте уреда от контакта.
- При прегряване уредът се изключва автоматично. Изключете уреда и го оставете да изстива няколко минути. Преди да включите отново уреда, проверете дали рещетките (RCD) в електричния circuit that supplies the bathroom. This RCD must have a rated residual operating current not higher than 30mA. Ask your installer for advice.

- Never block the air grilles.
- When you connect the appliance, ensure that the voltage indicated on the appliance corresponds to the local power voltage.
- Do not use the appliance for any other purpose than described in this manual.
- Do not use the appliance on artificial hair.
- Only use the appliance on human hair.
- When the appliance is connected to the power, never leave it unattended.
- Never use any accessories or parts from other manufacturers or that Philips does not specifically recommend. If you use such accessories or parts, your guarantee becomes invalid.
- Do not wind the mains cord round the appliance.
- Wait until the appliance has cooled down before you store it.
- Prevent the hot surfaces of the appliance from coming into contact with your skin.
- If you use the appliance on color-treated hair, the brush body surface may stain.
- Do not rinse the appliance/brushes under the tap.
- Do not activate brush rotation switch without any attachment attached.
- Do not insert metal objects into the air grilles to avoid electric shock.

Electromagnetic fields (EMF)

This product complies with all applicable standards and regulations regarding exposure to electromagnetic fields.

Environment

This product is designed and manufactured with high quality materials and components, which can be recycled and reused. Please do not discard this product as general waste. This product is a product & its contact coating is covered by the European Directive 2012/19/EU.

2 Introduction

The Philips Dynamic Volumizer is an airbrush with automatic rotation system that lets you create different styles, while keeping hair smooth and shiny. The mixed bristle brush adds volume and movement, while the retractable bristle brush defines waves without tangles. The ultra-fine nylon boar bristles covering protects and relaxes hair while you style. The special coating consists of nano-relaxant with hot spots and adds shine without frizz.

- 3 Overview**
- Brush rotation switch
- Rotation speed switch (I-LOW/II-HIGH)
- Heated temperature and airflow switch
- On/Off
- Pause
- High speed lock
- 38mm mixed bristle brush
- 50mm mixed bristle brush
- Retractable bristle brush

4 Use the Airstyle

We recommend that you practice the appliance using low rotation speed (I) for 2 to 3 minutes so you can get used to how the rotation works.

Note

- Always let the appliance cool down before you connect or disconnect the attachments.
- Let the appliance rest effectively on towels or protective mat.
- To prevent excessive pulling of hair, the appliance is provided with a security feature. If the pressure of your hair on the brush exceeds a certain limit, the rotation slows down.

(A) Place the brush attachment that best fits your desired hairstyle and keep it into the hair.

(B) To remove the attachment, press the brush rotation button and pull it off.

1. Turn on the appliance.

- Press and hold the power button (A) for 3 seconds.
- Press and hold the power button (A) for 3 seconds.
- Press and hold the power button (A) for 3 seconds.

2. Choose your styling settings.

- Press the temperature and airflow switch (B) to select the desired setting.
- Press the rotation speed switch (C) to select the desired setting.

3. Style your hair.

- Place the brush (D) into the hair and divide it into small sections.
- Press the rotation direction button (E) and roll up to lock.
- Keep the brush on the hair until it is completely dry.
- Press the rotation direction button (E) in the opposite direction to move the brush away from the hair.

4. After styling.

- Apply hair spray to your hair to fix the style for long lasting results.

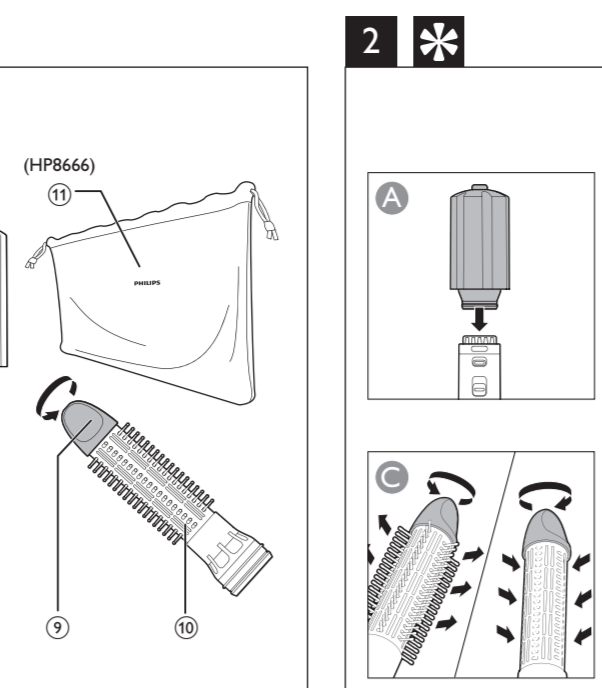
Spooling Tips

- The brush attachments work the best when hair is 80% dry. It is recommended to use **LOW SPEED** setting when styling with a diffuser.
- Take smaller hair strands for more defined result.
- Do not touch hair from touching frizz instead to have short parts when styling with a diffuser.

Important

Read this user manual carefully before you use the appliance and keep it for future reference.

- WARNING: Do not use this appliance near water.**
- When the appliance is used in a bathroom, unplug it after use since the proximity of water presents a risk, even when the appliance is switched off.
- WARNING: Do not use this appliance near bathtubs, showers, basins or other vessels containing water.**
- Always unplug the appliance after use.
- If the appliance overheats, it switches off automatically. Unplug the appliance and let it cool down for a few minutes. Before you switch the appliance on again, check the grilles to make sure they are not blocked by fluff, hair etc.



38mm / 50mm mixed bristle brushes

- 1 Place the brush into the hair. Press the rotation direction button (C) and roll up to lock.
- 2 Keep the brush on hair roots until the hair is completely dry.
- 3 Press the rotation direction button (C) in the opposite direction to move the brush away from the hair.
- 4 (HP8664/HP8666) To create frizz, press and hold the rotation direction button (C) while continuously brushing in eitherwards or downwards direction to lift only hair ends.

With retractable bristle brush

- 1 Plug the brush into the hair. (C) is fully retracted the bristles.
- 2 (D) Wrap hair up around the barrel.
- 3 (E) Once the hair is secure, press the rotating button (D) to wind up the hair.
- 4 Keep the brush in the position until your hair is completely dry.
- 5 (F) Turn the knob to retract the bristles and remove the brush from your hair.

After styling:

Apply hair spray to your hair to fix the style for long lasting results.

- Spooling Tips**
- The brush attachments work the best when hair is 80% dry. It is recommended to use **LOW SPEED** setting when styling with a diffuser.
- Take smaller hair strands for more defined result.
- Do not touch hair from touching frizz instead to have short parts when styling with a diffuser.

Important

Read this user manual carefully before you use the appliance and keep it for future reference.

- WARNING: Do not use this appliance near water.**
- When the appliance is used in a bathroom, unplug it after use since the proximity of water presents a risk, even when the appliance is switched off.
- WARNING: Do not use this appliance near bathtubs, showers, basins or other vessels containing water.**
- Always unplug the appliance after use.
- If the appliance overheats, it switches off automatically. Unplug the appliance and let it cool down for a few minutes. Before you switch the appliance on again, check the grilles to make sure they are not blocked by fluff, hair etc.

Български

Прочетете ръководството и добър съвет е да посетите интернет-страницата на Philips, за да разгледайте избор от продукти на Philips, подходящи за вас.

1 Важни

Преди да използвате уред, прочетете внимателно това ръководство и съхранявайте го за справка в бъдеще.

- ПРЕДУПРЕЖДЕНИЕ:** Не използвайте уреда без изод вода. Ако уредът се използва в банята, след употреба го изключвайте от контакта. Безопасно до вода води до ризик, дори когато уредът не работи.

- ПРЕДУПРЕЖДЕНИЕ:** Не използвайте уреда без изод вода, душове, мивки или други съдове с вода.
- След употреба винаги изключвайте уреда от контакта.
- При прегряване уредът се изключва автоматично. Изключете уреда и го оставете да изстива няколко минути. Преди да включите отново уреда, проверете дали рещетките (RCD) в електричния circuit that supplies the bathroom. This RCD must have a rated residual operating current not higher than 30mA. Ask your installer for advice.

- Never block the air grilles.
- When you connect the appliance, ensure that the voltage indicated on the appliance corresponds to the local power voltage.
- Do not use the appliance for any other purpose than described in this manual.
- Do not use the appliance on artificial hair.
- Only use the appliance on human hair.
- When the appliance is connected to the power, never leave it unattended.
- Never use any accessories or parts from other manufacturers or that Philips does not specifically recommend. If you use such accessories or parts, your guarantee becomes invalid.
- Do not wind the mains cord round the appliance.
- Wait until the appliance has cooled down before you store it.
- Prevent the hot surfaces of the appliance from coming into contact with your skin.
- If you use the appliance on color-treated hair, the brush body surface may stain.
- Do not rinse the appliance/brushes under the tap.
- Do not activate brush rotation switch without any attachment attached.
- Do not insert metal objects into the air grilles to avoid electric shock.

Electromagnetic fields (EMF)

This product complies with all applicable standards and regulations regarding exposure to electromagnetic fields.

Environment

This product is designed and manufactured with high quality materials and components, which can be recycled and reused. Please do not discard this product as general waste. This product is a product & its contact coating is covered by the European Directive 2012/19/EU.

2 Introduction

The Philips Dynamic Volumizer is an airbrush with automatic rotation system that lets you create different styles, while keeping hair smooth and shiny. The mixed bristle brush adds volume and movement, while the retractable bristle brush defines waves without tangles. The ultra-fine nylon boar bristles covering protects and relaxes hair while you style. The special coating consists of nano-relaxant with hot spots and adds shine without frizz.

- 3 Overview**
- Brush rotation switch
- Rotation speed switch (I-LOW/II-HIGH)
- Heated temperature and airflow switch
- On/Off
- Pause
- High speed lock
- 38mm mixed bristle brush
- 50mm mixed bristle brush
- Retractable bristle brush

4 Use the Airstyle

We recommend that you practice the appliance using low rotation speed (I) for 2 to 3 minutes so you can get used to how the rotation works.

Note

- Always let the appliance cool down before you connect or disconnect the attachments.
- Let the appliance rest effectively on towels or protective mat.
- To prevent excessive pulling of hair, the appliance is provided with a security feature. If the pressure of your hair on the brush exceeds a certain limit, the rotation slows down.

(A) Place the brush attachment that best fits your desired hairstyle and keep it into the hair.

(B) To remove the attachment, press the brush rotation button and pull it off.

1. Turn on the appliance.

- Press and hold the power button (A) for 3 seconds.
- Press and hold the power button (A) for 3 seconds.
- Press and hold the power button (A) for 3 seconds.

2. Choose your styling settings.

- Press the temperature and airflow switch (B) to select the desired setting.
- Press the rotation speed switch (C) to select the desired setting.

3. Style your hair.

- Place the brush (D) into the hair and divide it into small sections.
- Press the rotation direction button (E) and roll up to lock.
- Keep the brush on the hair until it is completely dry.
- Press the rotation direction button (E) in the opposite direction to move the brush away from the hair.

4. After styling.

- Apply hair spray to your hair to fix the style for long lasting results.

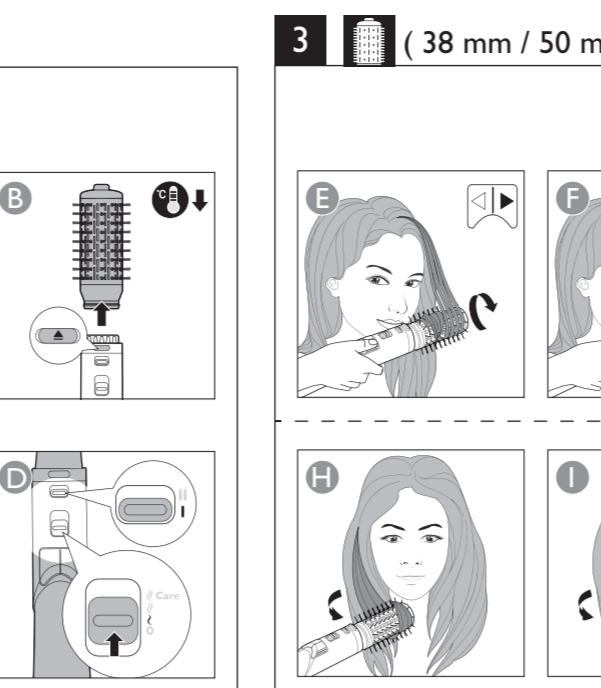
Spooling Tips

- The brush attachments work the best when hair is 80% dry. It is recommended to use **LOW SPEED** setting when styling with a diffuser.
- Take smaller hair strands for more defined result.
- Do not touch hair from touching frizz instead to have short parts when styling with a diffuser.

Important

Read this user manual carefully before you use the appliance and keep it for future reference.

- WARNING: Do not use this appliance near water.**
- When the appliance is used in a bathroom, unplug it after use since the proximity of water presents a risk, even when the appliance is switched off.
- WARNING: Do not use this appliance near bathtubs, showers, basins or other vessels containing water.**
- Always unplug the appliance after use.
- If the appliance overheats, it switches off automatically. Unplug the appliance and let it cool down for a few minutes. Before you switch the appliance on again, check the grilles to make sure they are not blocked by fluff, hair etc.



38mm / 50mm mixed bristle brushes

- 1 Place the brush into the hair. Press the rotation direction button (C) and roll up to lock.
- 2 Keep the brush on hair roots until the hair is completely dry.
- 3 Press the rotation direction button (C) in the opposite direction to move the brush away from the hair.
- 4 (HP8664/HP8666) To create frizz, press and hold the rotation direction button (C) while continuously brushing in eitherwards or downwards direction to lift only hair ends.

With retractable bristle brush

- 1 Plug the brush into the hair. (C) is fully retracted the bristles.
- 2 (D) Wrap hair up around the barrel.
- 3 (E) Once the hair is secure, press the rotating button (D) to wind up the hair.
- 4 Keep the brush in the position until your hair is completely dry.
- 5 (F) Turn the knob to retract the bristles and remove the brush from your hair.

After styling:

Apply hair spray to your hair to fix the style for long lasting results.

- Spooling Tips**
- The brush attachments work the best when hair is 80% dry. It is recommended to use **LOW SPEED** setting when styling with a diffuser.
- Take smaller hair strands for more defined result.
- Do not touch hair from touching frizz instead to have short parts when styling with a diffuser.

Important

Read this user manual carefully before you use the appliance and keep it for future reference.

- WARNING: Do not use this appliance near water.**
- When the appliance is used in a bathroom, unplug it after use since the proximity of water presents a risk, even when the appliance is switched off.
- WARNING: Do not use this appliance near bathtubs, showers, basins or other vessels containing water.**
- Always unplug the appliance after use.
- If the appliance overheats, it switches off automatically. Unplug the appliance and let it cool down for a few minutes. Before you switch the appliance on again, check the grilles to make sure they are not blocked by fluff, hair etc.

Български

Прочетете ръководството и добър съвет е да посетите интернет-страницата на Philips, за да разгледайте избор от продукти на Philips, подходящи за вас.

1 Важни

Преди да използвате уред, прочетете внимателно това ръководство и съхранявайте го за справка в бъдеще.

- ПРЕДУПРЕЖДЕНИЕ:** Не използвайте уреда без изод вода. Ако уредът се използва в банята, след употреба го изключвайте от контакта. Безопасно до вода води до ризик, дори когато уредът не работи.

- ПРЕДУПРЕЖДЕНИЕ:** Не използвайте уреда без изод вода, душове, мивки или други съдове с вода.
- След употреба винаги изключвайте уреда от контакта.
- При прегряване уредът се изключва автоматично. Изключете уреда и го оставете да изстива няколко минути. Преди да включите отново уреда, проверете дали рещетките (RCD) в електричния circuit that supplies the bathroom. This RCD must have a rated residual operating current not higher than 30mA. Ask your installer for advice.

- Never block the air grilles.
- When you connect the appliance, ensure that the voltage indicated on the appliance corresponds to the local power voltage.
- Do not use the appliance for any other purpose than described in this manual.
- Do not use the appliance on artificial hair.
- Only use the appliance on human hair.
- When the appliance is connected to the power, never leave it unattended.
- Never use any accessories or parts from other manufacturers or that Philips does not specifically recommend. If you use such accessories or parts, your guarantee becomes invalid.
- Do not wind the mains cord round the appliance.
- Wait until the appliance has cooled down before you store it.
- Prevent the hot surfaces of the appliance from coming into contact with your skin.
- If you use the appliance on color-treated hair, the brush body surface may stain.
- Do not rinse the appliance/brushes under the tap.
- Do not activate brush rotation switch without any attachment attached.
- Do not insert metal objects into the air grilles to avoid electric shock.

Electromagnetic fields (EMF)

This product complies with all applicable standards and regulations regarding exposure to electromagnetic fields.

Environment

This product is designed and manufactured with high quality materials and components, which can be recycled and reused. Please do not discard this product as general waste. This product is a product & its contact coating is covered by the European Directive 2012/19/EU.

2 Introduction

The Philips Dynamic Volumizer is an airbrush with automatic rotation system that lets you create different styles, while keeping hair smooth and shiny. The mixed bristle brush adds volume and movement, while the retractable bristle brush defines waves without tangles. The ultra-fine nylon boar bristles covering protects and relaxes hair while you style. The special coating consists of nano-relaxant with hot spots and adds shine without frizz.

- 3 Overview**
- Brush rotation switch
- Rotation speed switch (I-LOW/II-HIGH)
- Heated temperature and airflow switch
- On/Off
- Pause
- High speed lock
- 38mm mixed bristle brush
- 50mm mixed bristle brush
- Retractable bristle brush

4 Use the Airstyle

We recommend that you practice the appliance using low rotation speed (I) for 2 to 3 minutes so you can get used to how the rotation works.

Note

- Always let the appliance cool down before you connect or disconnect the attachments.
- Let the appliance rest effectively on towels or protective mat.
- To prevent excessive pulling of hair, the appliance is provided with a security feature. If the pressure of your hair on the brush exceeds a certain limit, the rotation slows down.

(A) Place the brush attachment that best fits your desired hairstyle and keep it into the hair.

(B) To remove the attachment, press the brush rotation button and pull it off.

1. Turn on the appliance.

- Press and hold the power button (A) for 3 seconds.
- Press and hold the power button (A) for 3 seconds.
- Press and hold the power button (A) for 3 seconds.

2. Choose your styling settings.

- Press the temperature and airflow switch (B) to select the desired setting.
- Press the rotation speed switch (C) to select the desired setting.

3. Style your hair.

- Place the brush (D) into the hair and divide it into small sections.
- Press the rotation direction button (E) and roll up to lock.
- Keep the brush on the hair until it is completely dry.
- Press the rotation direction button (E) in the opposite direction to move the brush away from the hair.

4. After styling.

- Apply hair spray to your hair to fix the style for long lasting results.

Spooling Tips

- The brush attachments work the best when hair is 80% dry. It is recommended to use **LOW SPEED** setting when styling with a diffuser.
- Take smaller hair strands for more defined result.
- Do not touch hair from touching frizz instead to have short parts when styling with a diffuser.

Important

Read this user manual carefully before you use the appliance and keep it for future reference.

- WARNING: Do not use this appliance near water.**
- When the appliance is used in a bathroom, unplug it after use since the proximity of water presents a risk, even when the appliance is switched off.
- WARNING: Do not use this appliance near bathtubs, showers, basins or other vessels containing water.**
- Always unplug the appliance after use.
- If the appliance overheats, it switches off automatically. Unplug the appliance and let it cool down for a few minutes. Before you switch the appliance on again, check the grilles to make sure they are not blocked by fluff, hair etc.



38mm / 50mm mixed bristle brushes

- 1 Place the brush into the hair. Press the rotation direction button (C) and roll up to lock.
- 2 Keep the brush on hair roots until the hair is completely dry.
- 3 Press the rotation direction button (C) in the opposite direction to move the brush away from the hair.
- 4 (HP8664/HP8666) To create frizz, press and hold the rotation direction button (C) while continuously brushing in eitherwards or downwards direction to lift only hair ends.

With retractable bristle brush

- 1 Plug the brush into the hair. (C) is fully retracted the bristles.
- 2 (D) Wrap hair up around the barrel.
- 3 (E) Once the hair is secure, press the rotating button (D) to wind up the hair.

