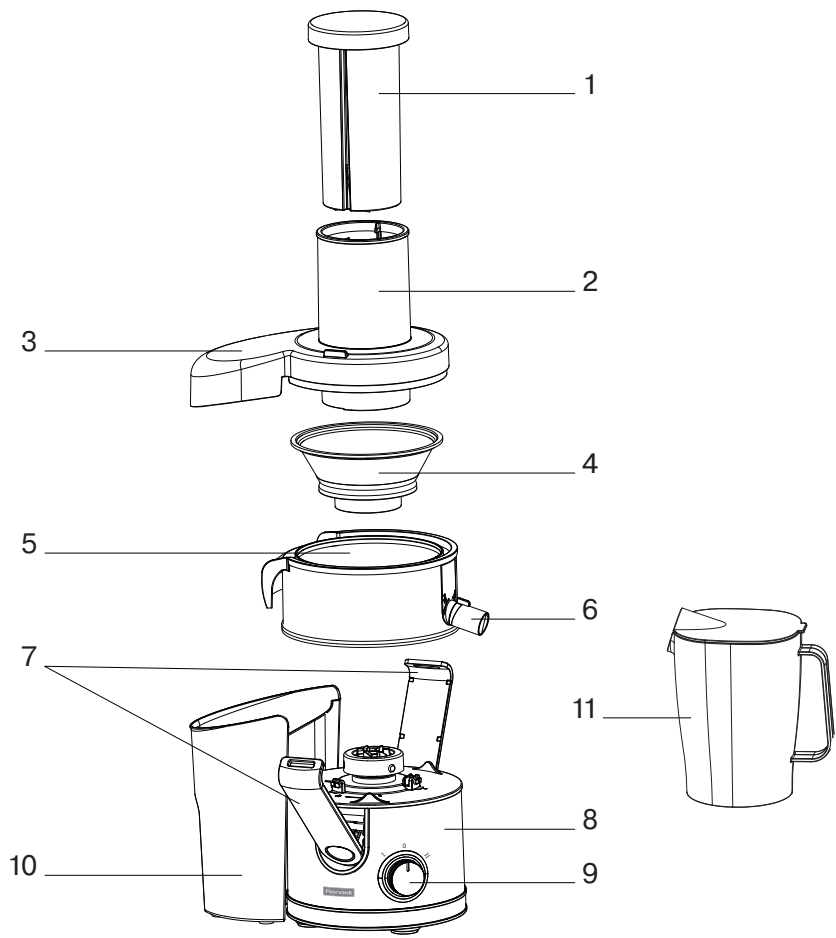




RDE-1501



СОКОВЫЖИМАЛКА
JUICE EXTRACTOR
RDE-1501

GB	MANUAL INSTRUCTION	4
DE	DIE BETRIEBSANWEISUNG	8
RUS	ИНСТРУКЦИЯ ПО ЭКСПЛУАТАЦИИ	13

ENGLISH

JUICE EXTRACTOR RDE-1501

Electric juice extractor is intended for making fruit or vegetable juice.

DESCRIPTION

1. Pusher
2. Feeding chute
3. Lid
4. Grating filter
5. Juice collector
6. Juice draining spout
7. Locks
8. Motor unit
9. Operation mode switch (I-0-II)
10. Pulp compartment
11. Juice cup

SAFETY MEASURES

Before using the unit, read this instruction manual carefully and keep it for future reference.

Use the unit for intended purposes only, as specified in this manual. Mishandling the unit can lead to its breakage and cause harm to the user or damage to his/her property.

- **To avoid injuries do not remove the juice extractor lid during operation and when the unit is plugged in as well.**
- The juice extractor is equipped with an automatic safety device which protects the motor from overheating damage while working at maximum capacity. This protection automatically switches the juice extractor off when the motor overheats. Should this occur, unplug the juice extractor and wait for the motor to cool down.
- Before using the unit for the first time, make sure that the voltage in your mains corresponds to unit operating voltage.
- Place the juice extractor on a dry, flat and steady surface only.
- Before using the unit for the first time, wash all removable parts that will contact processed foods thoroughly.
- Be cautious when holding the grating filter in your hands, as the disc grating surface is very sharp.
- Check the grating filter before every use of the juice extractor. If you find any mechanical damage, stop using the unit and immediately replace the grating filter.
- Use the supplied removable parts only.
- Do not use the unit outdoors.
- Do not place the unit and the power cord near hot surfaces, heat sources or sharp edges of furniture.

- Before using the unit, make sure that all parts are set properly.
 - You can use the juice extractor only if the juice extractor lid is fixed with the lock.
 - Never push products into the feeding chute with your fingers or other objects during operation. For this purpose use the pusher only.
 - Do not bring your face close to the open feeding chute while the unit is operating, fruit/vegetable pieces can be flung out of the feeding chute and cause harm to the user.
 - Never use the juice extractor without installed pulp container.
 - The unit is not intended for chopping or mixing of products.
 - Do not disassemble the slow juicer if its power plug is connected to the mains socket.
 - Do not touch the power plug with wet hands.
 - Open the lock only after the unit is switched off and the grating filter has stopped rotating.
 - If some moisture or juice drops appear on the juice extractor housing, switch it off, unplug it and wipe the housing with dry cloth.
 - After operation switch the unit off and pull the power plug out of the mains socket.
 - Do not allow children to touch the unit and the power cord during operation.
 - Do not leave children unattended to avoid them using the unit as a toy.
 - This unit is not intended for usage by children.
 - During operation and breaks between operation cycles, the unit should be placed out of reach of children.
 - The unit is not intended to be used by people with physical, sensory or mental disabilities (including children) or by persons lacking experience or knowledge if they are not under supervision of a person who is responsible for their safety or if they are not instructed by this person on the usage of the unit.
 - For children safety reasons do not leave polyethylene bags used as a packaging unattended.
- Attention!** Do not allow children to play with polyethylene bags or packaging film. **Danger of suffocation!**
- Check the power cord and plug periodically.
 - Do not use the juice extractor if the power cord is damaged. If the power cord is damaged, it should be replaced by the manufacturer, service or similar qualified personnel to avoid danger.
 - Do not attempt to repair the unit. Do not disassemble the unit by yourself, if any malfunction is detected or after it was dropped, unplug the unit and apply to any authorized

service center from the contact address list given in the warranty certificate and on the website www.rondell.ru.

- Transport the unit in the original package only.
- Keep the unit out of reach of children and disabled persons.

THIS UNIT IS INTENDED FOR HOUSEHOLD USE ONLY. ITS COMMERCIAL USAGE AND USAGE IN PRODUCTION AREAS AND WORK SPACES IS PROHIBITED.

BEFORE THE FIRST USE

After unit transportation or storage at low temperature keep it for at least three hours at room temperature before switching on.

- Unpack the juice extractor.

Disassemble and clean the juice extractor before usage:

- Remove the pusher (1) from the lid (3) feeding chute (2).
- Lower the locks (7) and remove the lid (3).
- Remove the grating filter (4) holding it by the juice collector (5).
- Wash thoroughly and dry all the removable parts (1, 3, 4, 5, 11) that will contact products.

Note: *Be cautious when holding the grating filter (4) in your hands, as the disc grating surface is very sharp.*

MAKING JUICE

Before the first plugging in make sure that the operating voltage of the unit corresponds to the voltage of your mains.

Fruit and vegetables meant for processing must be fresh.

Before juice extracting wash fruit/vegetables, remove inedible parts from vegetables or fruit, such as stems, hard peel or stones, for example, of cherry or peach, cut them into pieces easily fitting into the feeding chute (2).

- Place the motor unit (8) on a dry, flat and steady surface.
- Before the unit assembling make sure that the operation mode switch (9) is set to the position «0», and the plug is not inserted into the mains socket.
- Set the juice collector (5) on the motor unit (8).
- Install the grating filter (4) into the juice collector (5).

ATTENTION!

Do not use the juice extractor if you find mechanical damages of the grating filter (4).

- Install the lid (3) on the juice collector (5) and fix it with the locks (7).
- Set the juice cup (11) under the juice draining spout (6).
- Insert the power plug into the mains socket.
- Switch the juice extractor on by setting the switch (9) to the position «I» (low speed) or to position «II» (high speed).

Notes:

Low speed «I» is intended for extracting juice from soft vegetables/fruits, such as tomatoes, ripe pears, strawberries, oranges, plums, grapes, pumpkins, onions, cucumbers etc.

High speed «II» is intended for extracting juice from hard vegetables/fruits, such as artichoke, carrot, apples, capsicum, beet, potatoes, pineapples, vegetable marrows, celery, spinach, dill, leek etc.

ATTENTION!

To avoid the grating filter (4) stopping and motor rotor jamming during the processing of viscous or quite hard food it is recommended to use the high speed operation mode «II» of the juice extractor.

- The unit will be switched on only if all the removable parts are installed properly, and the lid (3) is fixed with the locks (7).
- Feed fruit/vegetable pieces into the lid (3) feeding chute (2) only when the grating filter (4) is rotating.
- Gradually put vegetables or fruits cut beforehand into the lid (3) feeding chute (2) and push them gently with the pusher (1). Do not press on the pusher (1) too hard as it can lead to decrease of juice amount as well as stop the grating filter (4) rotation. The slower is the fruit and vegetables processing, the higher is the juice extraction rate.
- Do not put your fingers or any other foreign objects into the lid (3) feeding chute (2).
- During operation, check the grating filter (4) periodically for obstruction of the mesh with pulp, if necessary wash the grating filter (4); before removing the grating filter (4), switch the juice extractor off and unplug it.
- Control the pulp compartment (10) filling, if the compartment (10) is filled up, switch the juice extractor off, unplug it and remove the pulp.

ATTENTION!

The juice extractor is equipped with an automatic safety device which protects the motor from overheating damage while working at maximum capacity. This protection automatically switches the juice extractor off when the motor overheats. Should this occur, unplug the juice extractor and wait for the motor to cool down.

After processing of 500 g hard and fibrous fruits and vegetables (citrus plants, pineapples, apples, carrots etc.) disassemble and clean the unit. Non-compliance with the requirement can cause the grating mesh blockage and will complicate the unit cleaning.

ENGLISH

- After unit operation, switch it off by setting the switch (9) to the position «0», and unplug it.
- Assemble the juice extractor.

OVERHEATING PROTECTION

The overheating protection system will switch the power supply off if the electric motor operating temperature is too high. If during the operation the juice extractor switches off, set the operation mode switch (9) to the position «0» and unplug the unit.

Let the juice extractor cool down for 30-40 minutes and switch it on again.

Do not exceed specified operation time and do not overload the juice extractor with products during its operation.

CLEANING AND CARE

After the end of operation or before cleaning always switch the unit off and unplug it.

Disassemble and clean the juice extractor after every usage and follow the recommendations below.

- Remove the pusher (1) from the lid (3) feeding chute (2).
- Lower the lock (7) and remove the lid (3).
- For easy removal of the grating filter (4) remove the grating filter with the juice collector (5) holding the juice collector (5) and pulling it upwards.
- Set the spout (6) to the middle position and remove it.
- It is recommended to wash all removable parts in warm water with a neutral detergent right after the unit operation.
- It is more convenient to wash the grating filter (4) openings from the outside using an appropriate brush.
- Be cautious when washing the grating filter (4), the disc grating surface is very sharp.
- Do not wash the grating filter (4) and other removable parts in a dishwasher.
- Clean the motor unit (8) with a slightly damp cloth and then wipe it dry. Do not immerse the motor unit (8) into water or any other liquids; do not wash the motor unit (8) under water jet.
- Do not use coarse sponges, abrasives and solvents to clean the unit.
- Some products, such as carrots or beets, can dye the juice extractor's removable parts, you can use a dry cloth dampened in vegetable oil for removing stains; after cleaning of parts wash them with warm water and a neutral detergent, then dry.

TIPS

- Use only fresh fruits and vegetables, as they contain more juice.
- For juice extracting you can use different vegetables (carrots, cucumbers, beets, celery stems, spinach, tomatoes) or fruits (apples, grapes, pineapples).
- It is recommended to wash berries right before juice extracting, as they lose freshness quickly.
- It is not necessary to remove thin peel from fruits or vegetables, remove thick peel only, for example from pineapples or beet.
- When making juice from apples it is not necessary to remove apple cores.
- When extracting apple juice remember that its richness depends on the apple sort.
- Choose the apple sort from which you can make juice to your taste.
- Drink juice right after you made it. The juice loses its taste and nutrition value during long storage in open air.
- Apple juice gets dark quickly, but if you add some drops of lemon juice to it, this suspends the process of juice darkening.
- If you keep juice in the refrigerator, pour it into a clean bowl with a lid to prevent it from absorbing the smell of other foods stored in the refrigerator. It is not recommended to keep juice in a metal container, as the juice can acquire corresponding flavor.
- The juice extractor is not intended for processing fruits with high content of starch or pectin, such as bananas, papaya, avocado, figs, apricots, mango, red and black currants. Use other kitchen appliances to process these kinds of fruit.
- The juice extractor is not intended for processing extra hard and fibrous products, such as coconuts, rhubarb or quince.

STORAGE

- Perform the requirements of the CLEANING AND CARE section before taking the unit away for storage.
- Keep the unit in a dry cool place out of reach of children and disabled persons.

Troubleshooting

Problem	Troubleshooting
When using the juice extractor for the first time, unpleasant smell can appear.	It is normal because some time is necessary for carbon brush lapping in motor unit.

Problem	Troubleshooting
Juice extractor does not work	<ol style="list-style-type: none"> 1. Make sure it is assembled properly, and the lock is in the locked position. 2. Connect any suitable unit to the socket in order to check whether voltage is available in the socket. 3. Overheat protection actuated. Switch the juice extractor off and unplug it, wait 30-40 minutes and then switch the juice extractor on again.
Juice amount has decreased rapidly	<ol style="list-style-type: none"> 1. The mesh filter became cluttered <ul style="list-style-type: none"> - switch the juice extractor off, remove the power plug from the socket. - when electric motor stops, check the grating filter - clean and wash the grating filter.
Juice extractor vibrates strongly during operation.	<ol style="list-style-type: none"> 1. Pulp adhesion on one side of grating filter is possible. <ul style="list-style-type: none"> - switch juice extractor off, remove the power plug from the socket; - when electric motor stops, check the grating filter; - clean and wash the grating filter. 2. Grating filter damage <ul style="list-style-type: none"> - examine the grating filter, in case of damage or cracks replace the grating filter.
Juice extractor operation is accompanied by intense noise and unpleasant smell, the unit heats up strongly, smoke appears etc.	Stop using the unit immediately, disconnect it from the mains and apply to the authorized service center for testing and repairing it.

DELIVERY SET

Motor unit – 1 pc.
 Pusher – 1 pc.
 Lid – 1 pc.
 Grating filter – 1 pc.
 Juice collector – 1 pc.
 Juice cup – 1 pc.
 Instruction manual – 1 pc.
 Warranty certificate – 1 pc.

TECHNICAL SPECIFICATIONS

Power supply: 220-240 V ~ 50-60 Hz
 Rated input power: 800 W
 Maximum power: 1200 W

RECYCLING



For environment protection do not throw out the unit and the batteries (if included), do not discard the unit and the batteries with usual household waste after the service life expiration; apply to specialized centers for further recycling.

The waste generated during the disposal of the unit is subject to mandatory collection and consequent disposal in the prescribed manner.
 For further information about recycling of this product apply to a local municipal administration, a disposal service or to the shop where you purchased this product.

The manufacturer preserves the right to change design, structure and specifications not affecting general principles of the unit operation without a preliminary notification due to which insignificant differences between the manual and product may be observed. If the user reveals such differences, please report them via e-mail info@rondell.ru for receipt of an updated manual.

Unit operating life is 3 years

Guarantee

Details regarding guarantee conditions can be obtained from the dealer from whom the appliance was purchased. The bill of sale or receipt must be produced when making any claim under the terms of this guarantee.



This product conforms to the EMC Directive 2014/30/ EU and to the Low Voltage Directive 2014/35/EU.

DEUTSCH

ENTSAFTER RDE-1501

Der elektrische Entsafter ist zum Entsaften von Obst oder Gemüse geeignet.

BESCHREIBUNG

1. Stampfer
2. Füllrohr
3. Deckel
4. Reibfilter
5. Saftsammler
6. Saftauslauf
7. Verriegelungen
8. Motoreinheit
9. Betriebsstufenschalter (I-0-II)
10. Trestersammelbehälter
11. Saftammelbehälter

SICHERHEITSMABNAHMEN

Vor der ersten Gerätenutzung lesen Sie diese Betriebsanleitung aufmerksam durch und bewahren Sie diese für weitere Referenz auf.

Benutzen Sie das Gerät nur bestimmungsmäßig und laut dieser Betriebsanleitung.

Nicht ordnungsgemäße Gerätenutzung kann zu seiner Störung führen und einen gesundheitlichen oder materiellen Schaden beim Nutzer hervorrufen.

- **Um Verletzungen zu vermeiden, entfernen Sie den Deckel des Entsafters während des Betriebs oder wenn das Netzkabel an eine Steckdose angeschlossen ist nicht.**
- Der Entsafter ist mit einer automatischen Sicherungsvorrichtung, die den Motor vor einem Ausfall durch Überhitzung während des Maximalastbetriebs schützt, ausgestattet. Bei der Motorüberhitzung schaltet die Sicherung den Entsafter automatisch aus. Trennen Sie in diesem Fall den Entsafter vom Stromnetz ab und warten Sie eine Zeitlang, bis der Motor abkühlt.
- Vergewissern Sie sich vor der ersten Nutzung, dass die Gerätespannung und die Netzspannung übereinstimmen.
- Benutzen Sie den Entsafter nur auf einer trockenen, ebenen und standfesten Oberfläche.
- Vor der ersten Entsafternutzung spülen Sie alle mit zu verarbeitenden Nahrungsmitteln zu kontaktierenden abnehmbaren Teile sorgfältig durch.
- Seien Sie beim Umgang mit dem Reibfilter vorsichtig, die Oberfläche der Scheibenreihe ist sehr scharf.
- Prüfen Sie den Zustand des Reibfilters vor jedem Entsaftergebrauch. Falls Sie irgendwelche mechani-

sche Beschädigungen entdeckt haben, stoppen Sie den Gerätebetrieb und ersetzen Sie den Reibfilter unverzüglich.

- Benutzen Sie nur die mitgelieferten abnehmbaren Teile.
- Es ist nicht gestattet, das Gerät draußen zu benutzen.
- Bringen Sie das Gerät und das Netzkabel in keiner Nähe von heißen Oberflächen, Wärmequellen und scharfen Möbelkanten unter.
- Vergewissern Sie sich vor der Gerätenutzung, dass alle Teile korrekt installiert sind.
- Der Entsafter kann nur verwendet werden, wenn der Entsafterdeckel mit der Verriegelung befestigt ist.
- Es ist verboten, Nahrungsmittel während des Gerätebetriebs mit den Fingern oder anderen Gegenständen ins Füllrohr durchzustößen. Benutzen Sie dafür nur den Stampfer.
- Beugen Sie sich nicht über dem geöffneten Füllrohr des eingeschalteten Geräts, Früchte- oder Gemüsestücke können aus dem Füllrohr herauspringen und den Benutzer verletzen.
- Verwenden Sie den Entsafter ohne Trestersammelbehälter nicht.
- Der Entsafter ist nicht zum Zerkleinern oder Mischen von Nahrungsmitteln vorgesehen.
- Es ist nicht gestattet, den Entsafter auseinanderzunehmen, wenn der Netzstecker in eine Steckdose eingesteckt ist.
- Berühren Sie den Stecker des Netzkabels mit nassen Händen nicht.
- Lösen Sie die Verriegelung erst, nachdem Sie das Gerät ausschalten und das Reibfilter stoppt.
- Wenn Feuchtigkeit oder Saft am Entsaftergehäuse tropft, schalten Sie das Gerät aus, trennen Sie es vom Stromnetz ab und wischen Sie das Gehäuse mit einem trockenen Tuch.
- Schalten Sie das Gerät nach dem Betrieb aus und ziehen Sie den Netzstecker aus der Steckdose heraus.
- Lassen Sie Kinder das Gerät und das Netzkabel während des Betriebs nicht berühren.
- Erlauben Sie Kindern nicht, mit dem Gerät zu spielen.
- Dieses Gerät soll von Kindern nicht verwendet werden.
- Während des Betriebs und der Pausen zwischen den Betriebszyklen stellen Sie das Gerät an einen für Kinder unzugänglichen Ort auf.
- Das Gerät ist für Personen (darunter Kinder) mit Körper-, Nerven- und Geistesstörungen oder Personen ohne ausreichende Lebenserfahrung und Kenntnisse nicht geeignet, wenn sie sich unter Aufsicht keiner für ihre Sicherheit verantwortlichen Person befinden oder keine

entsprechenden Gerätenutzungsanweisungen bekommen haben.

- Aus Kindersicherheitsgründen lassen Sie Plastiktüten, die als Verpackung verwendet werden, nie ohne Aufsicht.

Achtung! Lassen Sie Kinder mit Plastiktüten oder Verpackungsfolien nicht spielen. **Erstickungsgefahr!**

- Prüfen Sie den Zustand des Netzkabels und des Netzsteckers regelmäßig.
- Verwenden Sie den Entsafter nicht, wenn das Netzkabel beschädigt ist. Wenn das Netzkabel beschädigt ist, soll es vom Hersteller, Kundendienst oder ähnlich qualifiziertem Personal ersetzt werden, um Gefahren zu vermeiden. Es ist nicht gestattet, das Gerät selbständig auseinanderzunehmen, bei der Feststellung jeglicher Beschädigungen oder im Sturzfall trennen Sie das Gerät vom Stromnetz ab und wenden Sie sich an einen autorisierten (bevollmächtigten) Kundendienst an die am Garantieschein und auf der Webseite www.rondell.ru angegebenen Kontaktadressen.
- Transportieren Sie das Gerät nur in der Fabrikverpackung.
- Bewahren Sie das Gerät an einem für Kinder und behinderte Personen unzugänglichen Ort auf.

DIESES GERÄT IST NUR FÜR DEN HAUSHALTSGEBRAUCH BESTIMMT. KOMMERZIELLE NUTZUNG UND VERWENDUNG DES GERÄTS IN BETRIEBSBEREICHEN UND ARBEITSRÄUMEN IST VERBOTEN.

VOR DER ERSTEN NUTZUNG

Falls das Gerät bei niedrigen Temperaturen transportiert oder aufbewahrt wurde, lassen Sie es bei der Raumlufttemperatur nicht weniger als 3 Stunden bleiben.

- Nehmen Sie den Entsafter aus der Verpackung heraus.

Nehmen Sie den Entsafter auseinander und reinigen Sie ihn vor der Nutzung:

- Nehmen Sie den Stampfer (1) aus dem Füllrohr (2) des Deckels (3) heraus.
- Lassen Sie die Verriegelungen (7) herunter und entfernen Sie den Deckel (3).
- Entfernen Sie das Reibfilter (4), indem Sie den Saftsammler (5) festhalten.
- Spülen Sie alle mit Nahrungsmitteln zu kontaktierenden abnehmbaren Teile (1, 3, 4, 5, 11) gründlich aus und trocknen Sie sie ab.

Anmerkung: Seien Sie vorsichtig, wenn Sie den Reibfilter (4) in den Händen halten, die Oberfläche der Scheibenreihe ist sehr scharf.

ENTSIFTEN

Vergewissern Sie sich vor der ersten Nutzung, dass die Spannung des Geräts mit der Netzspannung übereinstimmt. Früchte und Gemüse, die zur Verarbeitung geeignet sind, müssen frisch sein.

Vor der Entsaftung waschen Sie Früchte/Gemüse, entfernen Sie alle nicht essbaren Reste bei Gemüse oder Früchten wie Fruchtstengel, harte Fruchthaut oder Kerne, z.B. Kirsch- oder Pfirsichkerne, und schneiden Sie sie in Kleinstücke, so dass man sie durch das Füllrohr (2) leicht durchstoßen kann.

- Stellen Sie die Motoreinheit (8) auf eine ebene, trockene und standfeste Oberfläche auf.
- Vergewissern Sie sich vor der Entsaftermontage, dass der Betriebsstufenschalter auf «0» gestellt ist und der Netzstecker an keine Steckdose angeschlossen ist.
- Stellen Sie den Saftsammler (5) auf die Motoreinheit (8) auf.
- Setzen Sie das Reibfilter (4) in den Saftsammler (5) ein.

ACHTUNG!

Es ist verboten, den Entsafter mit mechanisch beschädigtem Reibfilter (4) zu benutzen.

- Stellen Sie den Deckel (3) auf den Saftsammler (5) auf und befestigen Sie ihn mit den Verriegelungen (7).
- Stellen Sie den Saftammelbehälter (11) unter den Saftauslauf (6).
- Stecken Sie den Netzstecker in die Steckdose ein.
- Schalten Sie den Entsafter ein, indem Sie den Schalter (9) auf «I» (niedrige Geschwindigkeit) oder «II» (hohe Geschwindigkeit) stellen.

Anmerkungen:

Die niedrige Geschwindigkeit «I» wird zum Entsaften von Gemüse/Obst wie Tomaten, reifen Bienen, Erdbeeren, Orangen, Pflaumen, Trauben, Kürbissen, Zwiebeln, Gurken usw. verwendet.

Die hohe Geschwindigkeit «II» wird zum Entsaften von hartem Gemüse/Obst wie Artischocken, Karotten, Äpfeln, Paprika, Rüben, Kartoffeln, Ananas, Zucchini, Sellerie, Spinat, Dill, Breitlauch usw. verwendet.

ACHTUNG!

Es ist bei Bearbeitung von viskosen oder ziemlich festen Nahrungsmitteln empfohlen, den Entsafter bei hoher Geschwindigkeit «II» zu verwenden, um das Stoppen des Reibfilters (4) zu vermeiden.

- Der Entsafter startet nur, wenn alle abnehmbaren Teile korrekt installiert sind und der Deckel (3) mit Verriegelungen (7) befestigt ist.
- Geben Sie Nahrungsmittel ins Füllrohr (2) des Deckels (3) nur während der Drehung des Reibfilters (4) zu.
- Legen Sie vorgeschnittenes Gemüse oder Obst allmählich ins Füllrohr (2) des Deckels (3) und drücken Sie mit

DEUTSCH

dem Stampfer (1) leicht darauf. Drücken Sie den Stampfer (1) nicht zu stark, da es zur Verringerung erhaltener Saftmenge und sogar zum Stoppen des Reibfilters (4) führen kann. Je langsamer Gemüse und Früchte bearbeitet werden, desto mehr Saft ausgeht.

- Es ist nicht gestattet, Finger oder andere Gegenstände ins Füllrohr (2) des Deckels (3) zu senken.
- Während des Gerätebetriebs prüfen Sie das Reibfilter (4) auf Siebverstopfung durch Fruchtfleisch regelmäßig und spülen Sie das Reibfilter (4) bei der Notwendigkeit ab; schalten Sie den Entsafter vor dem Entfernen des Reibfilters (4) aus und ziehen Sie den Netzstecker aus der Steckdose heraus.
- Prüfen Sie den Füllstand des Trestersammelbehälters (10), wenn der Behälter (10) gefüllt ist, schalten Sie den Entsafter aus, ziehen Sie den Netzstecker aus der Steckdose heraus und entfernen Sie Trester.

ACHTUNG!

Der Entsafter ist mit einer automatischen Sicherungsvorrichtung, die den Motor vor einem Ausfall durch Überhitzung während des Maximalastbetriebs schützt, ausgestattet. Bei der Motorüberhitzung schaltet die Sicherung den Entsafter automatisch aus. Trennen Sie in diesem Fall den Entsafter vom Stromnetz ab und warten Sie eine Zeitlang, bis der Motor abkühlt.

Nach der Bearbeitung von 500 g harter und faseriger Nahrungsmittel (Zitrusfrüchte, Ananas, Äpfel, Möhren usw.) zerlegen und reinigen Sie das Gerät. Die Nichteinhaltung dieser Anforderung kann zum Festkleben der Siebreibe führen und die Gerätereinigung erschweren.

- Schalten Sie den Entsafter nach dem Betrieb aus, indem Sie den Schalter (9) auf «0» stellen, und ziehen Sie den Netzstecker aus der Steckdose heraus.

ÜBERHITZUNGSSCHUTZ

Das Überhitzungsschutzsystem unterbricht die Stromversorgung, wenn die Motorbetriebstemperatur überschritten wird. Wenn sich der Entsafter während des Betriebs ausschaltet, stellen Sie den Betriebsstufenschalter (9) auf «0» und ziehen Sie das Netzkabel aus der Steckdose heraus.

Lassen Sie den Entsafter 30-40 Minuten abkühlen, danach schalten Sie ihn wieder ein.

Überschreiten Sie die angegebene Betriebszeit und überladen Sie den Entsafter im Betrieb mit Nahrungsmitteln nicht.

REINIGUNG UND PFLEGE

Schalten Sie das Gerät nach der Beendigung des Betriebs oder vor der Reinigung unbedingt aus und trennen Sie es vom Stromnetz ab.

Nehmen Sie den Entsafter auseinander und reinigen Sie ihn nach jeder Nutzung unter Einhaltung folgender Empfehlungen.

- Nehmen Sie den Stampfer (1) aus dem Füllrohr (2) des Deckels (3) heraus.
- Lassen Sie die Verriegelung (7) herunter und entfernen Sie den Deckel (3).
- Um das Entfernen des Reibfilters (4) zu erleichtern, entfernen Sie es zusammen mit dem Saftsammler (5), dabei halten Sie den Saftsammler (5) fest und heben Sie ihn nach oben.
- Stellen Sie den Auslauf (6) in die mittlere Position und nehmen Sie ihn ab.
- Es ist empfohlen, alle abnehmbaren Teile mit Warmwasser und einem neutralen Reinigungsmittel sofort nach dem Betrieb abzuspielen.
- Die Öffnungen des Reibfilters (4) lassen sich mit einer geeigneten Bürste von außen leichter reinigen.
- Seien Sie beim Spülen des Reibfilters (4) vorsichtig, die Oberfläche der Siebentreibe ist sehr scharf.
- Spülen Sie das Reibfilter (4) und andere abnehmbare Teile in keiner Geschirrspülmaschine.
- Wischen Sie die Motoreinheit (8) mit einem leicht angefeuchteten Tuch, danach trocknen Sie sie ab. Es ist nicht gestattet, die Motoreinheit (8) in Wasser oder jegliche andere Flüssigkeiten einzutauchen sowie unter dem Wasserstrahl durchzuspielen.
- Verwenden Sie zum Reinigen des Entsafters keine harten Schwämme, Scheuer- oder Lösungsmittel.
- Einige Nahrungsmittel, wie z.B. Möhre oder Rübe, können abnehmbare Entsafterteile verfärben, entfernen Sie die Farbflächen mit einem trockenen, mit Pflanzenöl angefeuchteten Tuch; spülen Sie die Geräteteile nach der Reinigung mit Warmwasser und einem weichen Reinigungsmittel und trocknen Sie diese ab.
- Setzen Sie den Entsafter zusammen.

NUTZHINWEISE

- Verwenden Sie nur frisches Gemüse und Obst, da diese mehr Saft enthalten.
- Zum Entsaften können Sie verschiedenes Gemüse (Karotten, Gurken, Rüben, Selleriestangen, Spinat, Tomaten) oder Früchte (Äpfel, Trauben, Ananas) verwenden.
- Es ist empfohlen, Beeren unmittelbar vor dem Entsaften zu spülen, weil diese sehr schnell ihre Frische verlieren.
- Dünne Obst- oder Gemüseschale muss nicht entfernt werden, schneiden Sie nur dicke zum Beispiel Ananas- oder Rübenschale ab.
- Beim Apfelsaft müssen die Äpfel nicht entkernt werden.

- Vergessen Sie beim Apfelsaft nicht, dass die Saftsättigung von der Apfelsorte abhängt.
- Wählen Sie die Apfelsorte, deren Saft Ihren Bedürfnissen entspricht.
- Trinken Sie Saft sofort nach dem Entsaften. Bei der dauernden Aufbewahrung in der Luft verliert der Saft seine Geschmacksqualitäten und seinen Nährwert.
- Apfelsaft verdunkelt sich schnell, aber wenn Sie ein paar Tropfen Zitronensaft hinzufügen, wird die Verdunkelung angehalten.
- Wenn der Saft im Kühlschrank aufbewahrt wird, gießen Sie ihn in einen sauberen Behälter mit Deckel, damit der Saft die Gerüche der im Kühlschrank gelagerten Nahrungsmittel nicht aufnimmt. Es ist nicht empfohlen, den Saft in einem Metallbehälter aufzubewahren, da der Saft einen entsprechenden Geschmack annehmen kann.
- Der Entsafter ist zur Bearbeitung von keinen Früchten mit hohem Stärke- oder Pektin Gehalt wie Bananen, Papaya, Avocado, Feigen, Aprikosen, Mangos, roten und schwarzen Johannisbeeren geeignet. Benutzen Sie andere Küchengeräte zur Bearbeitung solcher Früchte.
- Der Entsafter ist zur Bearbeitung von keinen sehr harten und faserigen Nahrungsmitteln wie Kokosnuss, Rhabarber oder Quitte geeignet.

AUFBEWAHRUNG

- Bevor Sie den Entsafter zur Aufbewahrung wegnehmen, erfüllen Sie die Anforderungen des Abschnitts «REINIGUNG UND PFLEGE».
- Bewahren Sie das Gerät an einem trockenen, kühlen und für Kinder und behinderte Personen unzugänglichen Ort auf.

Störungserkennung und -behebung

Störung	Behebung
Unangenehmer Geruch bei erster Entsaftereinschaltung.	Es ist normal, da zum Einläppen der Kohlebürsten im Elektromotor normalerweise etwas Zeit erforderlich ist
Der Entsafter funktioniert nicht	<ol style="list-style-type: none"> 1. Prüfen Sie die Entsaftermontage auf Korrektheit und vergewissern Sie sich, dass die Verriegelungen geschlossen sind. 2. Prüfen Sie die Steckdose auf Spannung, indem Sie ein geeignetes elektrisches Gerät daran anschließen. 3. Der Überhitzungsschutz wurde ausgelöst. Schalten Sie den Entsafter aus, trennen Sie ihn vom Stromnetz ab, warten Sie 30-40 Minuten und schalten Sie dann den Entsafter ein.
Die Saftmenge ist stark gesunken	<ol style="list-style-type: none"> 1. Das Filtersieb ist verstopft <ul style="list-style-type: none"> - schalten Sie den Entsafter aus und trennen Sie ihn vom Stromnetz ab. - wenn der Elektromotor stoppt, prüfen Sie das Reibfilter. - reinigen und spülen Sie das Reibfilter.
Der Entsafter vibriert während des Betriebs heftig.	<ol style="list-style-type: none"> 1. Mögliches Tresterankleben auf einer Seite des Reibfilters <ul style="list-style-type: none"> - schalten Sie den Entsafter aus und trennen Sie ihn vom Stromnetz ab. - wenn der Elektromotor stoppt, prüfen Sie das Reibfilter. - reinigen und spülen Sie das Reibfilter. 2. Beschädigung des Reibfilters. <ul style="list-style-type: none"> - prüfen Sie das Reibfilter, bei Beschädigungen oder Rissen ersetzen Sie das Reibfilter.
Lärm, unangenehmer Geruch, starke Gehäuseerwärmung, Rauch usw. beim Entsafterbetrieb	Stellen Sie die Entsafternutzung sofort ein, ziehen Sie den Netzstecker aus der Steckdose heraus und wenden Sie sich an einen autorisierten Kundendienst zur Durchprüfung oder Reparatur.

DEUTSCH

LIEFERUMFANG

Motoreinheit – 1 Stk.
Stampfer – 1 Stk.
Deckel – 1 Stk.
Reibfilter – 1 Stk.
Saftsammler – 1 Stk.
Saftsammlerbehälter – 1 Stk.
Betriebsanleitung – 1 Stk.
Garantieschein – 1 Stk.

TECHNISCHE EIGENSCHAFTEN

Stromversorgung: 220-240 V ~ 50-60 Hz
Nennleistungsaufnahme: 800 W
Maximale Leistung 1200 W

ENTSORGUNG



Zwecks Umweltschutz nach Beendigung der Nutzungsdauer des Gerätes und der Batterien (falls mitgeliefert), werfen Sie diese zusammen mit gewöhnlichen Haushaltsabfällen

nicht weg, geben Sie das Gerät und die Batterien in die Spezialpunkte für weitere Entsorgung über.

Die bei der Entsorgung der Erzeugnisse entstehenden Abfälle sind unbedingt zu sammeln und weiter ordnungsmäßig zu entsorgen.

Mehrere Information zur Entsorgung dieses Produkts erhalten Sie bei Ihrer lokalen Stadtverwaltung, einem Abfallentsorgungsdienst oder beim Geschäft, wo Sie dieses Produkt gekauft haben.

Der Hersteller behält sich das Recht vor, Design, Konstruktion und die das gemeine Gerätebetriebsprinzip nicht beeinflussende technische Eigenschaften ohne Vorbenachrichtigung zu verändern, deswegen kann sich die Betriebsanleitung vom Gerät gering unterscheiden. Bei Feststellung solcher Unterschiede bitte teilen davon per E-Mail info@rondell.ru für eine aktualisierte Betriebsanleitung mit.

Gerätenutzungsdauer beträgt 3 Jahre



Dieses Produkt entspricht der EMV-Richtlinie 2014/30/EU und der Niederspannungsrichtlinie 2014/35/EU.

СОКОВЫЖИМАЛКА RDE-1501

Электрическая соковыжималка предназначена для приготовления соков из фруктов или овощей.

ОПИСАНИЕ

1. Толкатель
2. Загрузочная горловина
3. Крышка
4. Фильтр-тёрка
5. Сокоосборник
6. Носик для слива сока
7. Фиксаторы
8. Моторный блок
9. Переключатель режимов работы (I-0-II)
10. Отсек для сбора отжимок
11. Емкость для сбора сока

МЕРЫ БЕЗОПАСНОСТИ

Перед началом эксплуатации устройства внимательно прочитайте настоящую инструкцию по эксплуатации и сохраните её для использования в качестве справочного материала.

Используйте устройство только по его прямому назначению, как изложено в данной инструкции. Неправильное обращение с устройством может привести к его поломке, причинению вреда пользователю или его имуществу.

- **Во избежание травм не снимайте крышку соковыжималки во время работы, а также в том случае, если вилка сетевого шнура вставлена в электрическую розетку.**
- Соковыжималка оснащена автоматическим устройством безопасности, которое предохраняет двигатель от выхода из строя при перегреве во время работы с максимальной нагрузкой. В случае перегрева двигателя защита автоматически отключит соковыжималку. Если это произошло, отключите соковыжималку от электросети и подождите некоторое время, пока двигатель остынет.
- Перед первым включением убедитесь, что напряжение в электрической сети соответствует рабочему напряжению устройства.
- Используйте соковыжималку только на сухой, ровной и устойчивой поверхности.
- Перед первым использованием соковыжималки тщательно промойте все съёмные детали, которые будут контактировать с перерабатываемыми продуктами.
- Соблюдайте осторожность, когда держите в руках фильтр-тёрку, поверхность дисковой тёрки очень острая.

- Проверяйте состояние фильтра-тёрки перед каждым использованием соковыжималки. Если вы обнаружите какие-либо механические повреждения, прекратите использование устройства и немедленно замените фильтр-тёрку.
- Используйте только те съёмные детали, которые входят в комплект поставки.
- Запрещается использовать устройство вне помещений.
- Не размещайте устройство и сетевого шнура вблизи горячих поверхностей, источников тепла и острых кромок мебели.
- Прежде чем начать пользоваться устройством, убедитесь, что все детали установлены правильно.
- Пользоваться соковыжималкой можно только в том случае, если крышка соковыжималки закреплена с помощью фиксатора.
- Во время работы запрещается проталкивать продукты в загрузочную горловину пальцами или другими предметами. Для этой цели пользуйтесь только толкателем.
- Не наклоняйте лицо над открытой горловиной при включённом устройстве, кусочки овощей/фруктов могут вылететь из горловины и нанести травму пользователю.
- Запрещается пользоваться соковыжималкой без контейнера для сбора отжимок.
- Соковыжималка не предназначена для измельчения или смешивания продуктов.
- Запрещается разбирать соковыжималку, если вилка сетевого шнура вставлена в электрическую розетку.
- Не прикасайтесь к вилке сетевого шнура мокрыми руками.
- Открывайте фиксатор только после выключения устройства и полной остановки вращения фильтра-тёрки.
- При появлении капель влаги или сока на корпусе соковыжималки выключите устройство, отключите от электросети и протрите корпус сухой тканью.
- После окончания работы выключите устройство и извлеките вилку сетевого шнура из электрической розетки.
- Не разрешайте детям прикасаться к устройству и к сетевому шнуру во время работы.
- Дети должны находиться под присмотром для недопущения игр с прибором.
- Данное устройство не предназначено для использования детьми.
- Во время работы и в перерывах между рабочими циклами устанавливайте устройство в местах, недоступных для детей.

РУССКИЙ

- Прибор не предназначен для использования лицами (включая детей) с пониженными физическими, сенсорными или умственными способностями или при отсутствии у них жизненного опыта или знаний, если они не находятся под присмотром или не проинструктированы об использовании прибора лицом, ответственным за их безопасность.
- Из соображений безопасности детей не оставляйте полиэтиленовые пакеты, используемые в качестве упаковки, без надзора.

Внимание! Не разрешайте детям играть с полиэтиленовыми пакетами или упаковочной плёнкой. **Опасность удушья!**

- Периодически проверяйте состояние сетевого шнура и вилки сетевого шнура.
- Не используйте соковыжималку, если имеются повреждения шнура питания. При повреждении шнура питания его замену во избежание опасности должны производить изготовитель, сервисная служба или подобный квалифицированный персонал.
- Запрещается самостоятельно ремонтировать прибор. Не разбирайте прибор самостоятельно, при возникновении любых неисправностей, а также после падения устройства выключите прибор из электрической розетки и обратитесь в любой авторизованный (уполномоченный) сервисный центр по контактным адресам, указанным в гарантийном талоне и на сайте www.rondell.ru.
- Перевозите устройство только в заводской упаковке.
- Храните устройство в местах, недоступных для детей и людей с ограниченными возможностями.

ДАННЫЙ ПРИБОР ПРЕДНАЗНАЧЕН ДЛЯ ИСПОЛЬЗОВАНИЯ ТОЛЬКО В БЫТОВЫХ УСЛОВИЯХ. ЗАПРЕЩАЕТСЯ КОММЕРЧЕСКОЕ ИСПОЛЬЗОВАНИЕ И ИСПОЛЬЗОВАНИЕ ПРИБОРА В ПРОИЗВОДСТВЕННЫХ ЗОНАХ И РАБОЧИХ ПОМЕЩЕНИЯХ.

ПЕРЕД ПЕРВЫМ ИСПОЛЬЗОВАНИЕМ

После транспортировки или хранения устройства при пониженной температуре необходимо выдержать его при комнатной температуре не менее трёх часов.

- Извлеките соковыжималку из упаковки.

Произведите разборку и чистку соковыжималки перед ее использованием:

- Извлеките толкатель (1) из загрузочной горловины (2) крышки (3).
- Опустите фиксаторы (7) и снимите крышку (3).

- Снимайте фильтр-тёрку (4) держась за сокосборник (5).
- Тщательно промойте все съёмные детали (1, 3, 4, 5, 11), которые будут контактировать с продуктами, и просушите их.

Примечание: Соблюдайте осторожность, когда держите в руках фильтр-тёрку (4), поверхность дисковой тёрки очень острая.

ПРИГОТОВЛЕНИЕ СОКА

Перед первым включением убедитесь, что рабочее напряжение устройства соответствует напряжению электросети.

Фрукты и овощи, предназначенные для переработки, должны быть свежими.

Перед отжимом сока вымойте овощи/фрукты, удалите несъедобные части у овощей или фруктов, такие как плодоножки, твёрдая кожура или косточки, например, вишнёвые или персиковые, порежьте их на кусочки, которые бы легко проходили в загрузочную горловину (2).

- Установите моторный блок (8) на ровную сухую и устойчивую поверхность.
- Перед сборкой соковыжималки убедитесь, что переключатель режимов работы (9) установлен в положение «0», а вилка сетевого шнура не вставлена в электрическую розетку.
- Установите сокосборник (5) на моторный блок (8).
- Установите фильтр-тёрку (4) в сокосборник (5).

ВНИМАНИЕ!

Использование соковыжималки запрещается при обнаружении механических повреждений на фильтре-тёрке (4).

- Установите крышку (3) на сокосборник (5) и зафиксируйте её с помощью фиксаторов (7).
- Установите под носик для слива сока (6) ёмкость для сбора сока (11).
- Вставьте вилку сетевого шнура в электрическую розетку.
- Включите соковыжималку, установив переключатель (9) в положение «I» (низкая скорость), положение «II» (высокая скорость).

Примечания:

Низкая скорость «I» служит для отжима сока из мягких овощей/фруктов - таких как томаты, спелые груши, клубника, апельсины, сливы, виноград, тыква, лук, огурцы и т.п.

Высокая скорость «II» служит для отжима сока из твёрдых овощей/фруктов, таких как артишоки, морковь, яблоки, перец, свёкла, картофель, ананасы, кабачки, сельдерей, шпинат, укроп, лук-порей и т.п.

ВНИМАНИЕ!

При работе с вязкими или достаточно твёрдыми продуктами во избежание остановки вращения фильтра-тёрки (4) рекомендуется использовать режим работы соковыжималки на высокой скорости «II».

- Соковыжималка включится только в том случае, если все съёмные части установлены правильно, а крышка (3) закреплена фиксаторами (7).
- Загружайте продукты в загрузочную горловину (2) крышки (3) только во время вращения фильтра-тёрки (4).
- Постепенно опускайте предварительно порезанные овощи или фрукты в загрузочную горловину (2) крышки (3) и слегка надавливайте на них толкателем (1). Не нажимайте слишком сильно на толкатель (1), поскольку это может привести к снижению количества получаемого сока и даже к остановке вращения фильтра-тёрки (4). Чем медленнее происходит обработка овощей или фруктов, тем больше выход сока.
- Запрещается опускать пальцы или любые другие предметы в загрузочную горловину (2) крышки (3).
- Во время работы периодически проверяйте состояние фильтра-тёрки (4) на предмет засорения сетки мякотью, при необходимости промойте фильтр-тёрку (4), перед снятием фильтра-тёрки (4) выключите соковыжималку и извлеките вилку сетевого шнура из электрической розетки.
- Следите за наполнением отсека для сбора отжимок (10), если отсек (10) заполнился, выключите соковыжималку, извлеките вилку сетевого шнура из электрической розетки и удалите отжимки.

ВНИМАНИЕ!

Соковыжималка оснащена автоматическим устройством безопасности, которое предохраняет двигатель от выхода из строя при перегреве во время работы с максимальной нагрузкой. В случае перегрева двигателя защита автоматически отключит соковыжималку. Если это произошло, отключите соковыжималку от электросети и подождите некоторое время, пока двигатель остынет.

После переработки 500 гр. твёрдых и волокнистых продуктов (цитрусовых, ананасов, яблок, моркови и т.д.) производите разборку и чистку устройства. Несоблюдение данного требования может привести к заклиниванию сетки-терки и усложнит чистку устройства.

- После использования соковыжималки выключите её, установив переключатель (9) в положение «0», и извлеките вилку сетевого шнура из электрической розетки.

ЗАЩИТА ОТ ПЕРЕГРЕВА

Система защиты от перегрева отключит питание, если превышена рабочая температура электромотора. Если во время работы, соковыжималка отключилась, установите переключатель режимов работы (9) в положение «0», выньте вилку сетевого шнура из электрической розетки. Дайте соковыжималке остыть в течение 30-40 минут, после чего включите её снова.

Не превышайте указанное время работы и не перегружайте соковыжималку продуктами во время её работы.

ЧИСТКА И УХОД

После окончания работы или перед чисткой обязательно выключайте устройство и отключайте его от электросети. **Производите разборку и чистку соковыжималки после каждого её использования, выполняя нижеперечисленные рекомендации.**

- Извлеките толкатель (1) из загрузочной горловины (2) крышки (3).
- Опустите фиксатор (7) и снимите крышку (3).
- Для облегчения снятия фильтра-тёрки (4) снимать её следует вместе сокоборником (5), держась за сокоборник (5) и подтягив его по направлению вверх.
- Установите носик (6) в среднее положение и снимите его.
- Рекомендуется промывать все съёмные детали тёплой водой с нейтральным моющим средством сразу после работы.
- Отверстия фильтра-терки (4) удобнее промывать с наружной стороны, используя подходящую щетку.
- Соблюдайте осторожность при промывке фильтра-тёрки (4), поверхность дисковой тёрки очень острая.
- Не используйте посудомоечную машину для промывки фильтра-тёрки (4) и других съёмных деталей.
- Моторный блок (8) протирайте слегка влажной тканью, после чего протрите его насухо. Запрещается погружать моторный блок (8) в воду или в любые другие жидкости; запрещается промывать моторный блок (8) под струёй воды.
- Не используйте для чистки соковыжималки жёсткие губки, абразивные чистящие средства, а также растворители.
- Некоторые продукты, такие как морковь или свёкла, могут окрасить съёмные детали соковыжималки, для удаления следов красителя можно использовать сухую ткань, смоченную в растительном масле, после очистки деталей промойте их тёплой водой с мягким моющим средством и просушите.
- Соберите соковыжималку.

РУССКИЙ

ПОЛЕЗНЫЕ СОВЕТЫ

- Используйте только свежие овощи и фрукты, так как в них содержится больше сока.
- Для приготовления сока можно использовать различные овощи (морковь, огурцы, свёклу, стебли сельдерея, шпинат, помидоры) или фрукты (яблоки, виноград, ананасы).
- Ягоды рекомендуется мыть непосредственно перед отжимом сока, т.к. они быстро теряют свежесть.
- Снимать тонкую кожицу с фруктов или овощей нет необходимости, срезать следует только толстую кожуру, например, у ананасов или свёклы.
- При отжиме яблочного сока вырезать у яблок сердцевину нет необходимости.
- При приготовлении яблочного сока помните, что насыщенность сока зависит от сорта яблок.
- Выбирайте сорт яблок, из которых получается сок, отвечающий вашим требованиям.
- Пейте сок сразу после его приготовления. При длительном хранении на воздухе сок теряет свои вкусовые качества и пищевую ценность.
- Яблочный сок быстро темнеет, но если добавить в него несколько капель лимонного сока, это приостановит процесс потемнения сока.

- Если сок будет храниться в холодильнике, то перелейте его в чистую ёмкость с крышкой, чтобы сок не впитал в себя запахи продуктов, хранящихся в холодильнике. Хранить сок в металлической ёмкости не рекомендуется, так как сок может приобрести соответствующий привкус.
- Соковыжималка не предназначена для переработки фруктов с высоким содержанием крахмала или пектина, таких как бананы, папайя, авокадо, инжир, абрикосы, манго, красная и черная смородина. Для переработки этих фруктов пользуйтесь другими кухонными устройствами.
- Соковыжималка не предназначена для переработки очень твёрдых и волокнистых продуктов, таких как кокос, ревеня или айва.

ХРАНЕНИЕ

- Прежде чем убрать соковыжималку на хранение, выполните требования раздела «ЧИСТКА И УХОД».
- Храните устройство в сухом прохладном месте, недоступном для детей и людей с ограниченными возможностями.

Обнаружение и устранение неисправностей

Неисправность	Методы устранения
При первом включении соковыжималки появляется неприятный запах.	Это нормальное явление, поскольку необходимо некоторое время для притирки угольных щеток в электромоторе.
Соковыжималка не работает	<ol style="list-style-type: none">1. Проверьте правильность сборки соковыжималки, убедитесь, что фиксаторы находятся в закрытом положении.2. Проверьте наличие напряжения в сетевой розетке, для этого включите любой подходящий электроприбор в розетку.3. Сработала защита от перегрева. Выключите соковыжималку и отключите её от сети, подождите 30-40 минут, после чего включите соковыжималку.
Количество сока резко уменьшилось	<ol style="list-style-type: none">1. Забилась фильтрующая сетка<ul style="list-style-type: none">– выключите соковыжималку, выньте сетевую вилку из розетки.– когда электромотор остановится, проверьте фильтр-терку.– очистите и промойте фильтр-терку.
Во время работы соковыжималка сильно вибрирует	<ol style="list-style-type: none">1. Возможно налипание отжимок на одной стороне фильтра-терки.<ul style="list-style-type: none">– выключите соковыжималку, выньте сетевую вилку из розетки;– когда электромотор остановится, проверьте фильтр-терку;– очистите и промойте фильтр-терку.2. Повреждение фильтра-терки.<ul style="list-style-type: none">– осмотрите фильтр-терку, при наличии повреждений или трещин, замените фильтр-терку.

Неисправность	Методы устранения
Работа соковыжималки сопровождается сильным шумом, чувствуется неприятный запах, она сильно нагревается, появляется дым и т.д.	Немедленно прекратите использование соковыжималки, отключите ее от сети и обратитесь в авторизованный сервисный центр для проведения осмотра или ремонта.

КОМПЛЕКТАЦИЯ

Моторный блок – 1 шт.
 Толкатель – 1 шт.
 Крышка – 1 шт.
 Фильтр-тёрка – 1 шт.
 Сокоосборник – 1 шт.
 Ёмкость для сбора сока – 1 шт.
 Инструкция – 1 шт.
 Гарантийный талон – 1 шт.

ТЕХНИЧЕСКИЕ ХАРАКТЕРИСТИКИ

Электропитание: 220-240 В ~ 50-60 Гц
 Номинальная потребляемая мощность: 800 Вт
 Максимальная мощность: 1200 Вт

УТИЛИЗАЦИЯ



В целях защиты окружающей среды, после окончания срока службы прибора и элементов питания (если входят в комплект), не выбрасывайте их вместе с обычными бытовыми отходами, передайте прибор и элементы питания в специализированные пункты для дальнейшей утилизации.

Отходы, образующиеся при утилизации изделий, подлежат обязательному сбору с последующей утилизацией в установленном порядке.

Для получения дополнительной информации об утилизации данного продукта обратитесь в местный муниципалитет, службу утилизации бытовых отходов или в магазин, где Вы приобрели данный продукт.

Производитель сохраняет за собой право изменять дизайн, конструкцию и технические характеристики,

не влияющие на общие принципы работы устройства, без предварительного уведомления, из-за чего между инструкцией и изделием могут наблюдаться незначительные различия. Если пользователь обнаружил такие несоответствия, просим сообщить об этом по электронной почте info@rondell.ru для получения обновленной версии инструкции.

Срок службы устройства – 3 года



Данное изделие соответствует всем требуемым европейским и российским стандартам безопасности и гигиены.

ИЗГОТОВИТЕЛЬ: СТАР ПЛЮС ЛИМИТЕД (STAR PLUS LIMITED)

**МЕСТОНАХОЖДЕНИЕ И ПОЧТОВЫЙ АДРЕС
 ДЛЯ СВЯЗИ:** ЮНИТ БИ ЭНД СИ, 15Й ЭТАЖ,
 КЭЙСИ АБЕРДИН ХАУС, №38, ХЕНГ ИП РОУД,
 ВОНГ ЧУК ХАНГ, ГОНКОНГ, КНР

**ИМПОРТЕР И УПОЛНОМОЧЕННОЕ
 ИЗГОТОВИТЕЛЕМ ЛИЦО:** ООО «ГИПЕРИОН»

**МЕСТОНАХОЖДЕНИЕ И ПОЧТОВЫЙ АДРЕС
 ДЛЯ СВЯЗИ:** РФ, 117452, Г. МОСКВА,
 ЧЕРНОМОРСКИЙ БУЛЬВАР, ДОМ 17, КОРП. 1, ЭТАЖ 4,
 ОФИС 401, КАБ. 2.
 Тел.: +7 (499) 685-17-81, e-mail: info@rondell.ru

Ответственность за несоответствие продукции требованиям технических регламентов Таможенного союза возложена на уполномоченное изготовителем лицо.

**www.rondell.ru
 ТЕЛЕФОН ДЛЯ СПРАВОК:** 8-800-100-18-30

СДЕЛАНО В КНР





ГАРАНТИЙНЫЙ ТАЛОН

условия гарантийного обслуживания

ЕДИНАЯ СПРАВОЧНАЯ СЛУЖБА/CALL CENTER:

+7 (495) 921-01-70

Уважаемые покупатели!

Требуйте от продавца заполнения гарантийного талона, включая отрывные купоны.

English

Dear Customer!

RÖNDELL appreciates your choice and guarantees the high quality of the purchased appliance operation under keeping of service rules.

The guarantee period for all devices is 12 months from the date of purchase. By this guarantee book the manufacturer confirms the good working condition of the device and undertakes the obligation to repair any defects which may arise through the fault of the manufacturer free of charge. Warranty service is available at any authorized service center enlisted on the site www.rondell.ru.

Guarantee service conditions

- The guarantee is valid if the following issuance conditions are observed:
 - correct and precise filling in the original RÖNDELL warranty card with mentioning model name, its serial number, date of sale, with seal of Seller and signature of Seller's representative in the warranty card, seals on each tear-off coupon, Buyer's signature;The manufacturer retains the right to refuse guarantee service in case of failure to submit the above-mentioned documents, or if the information they contain is incomplete, illegible or contradictory.
- The guarantee is valid if the following operating conditions are observed:
 - the device is used in strict accordance with the operating instructions;
 - the safety rules and requirements are observed.
- Warranty does not include periodic maintenance, cleaning, installation, adjustment of device at the owner's home, as well as natural device wear and tear.
- Cases not covered by the guarantee:
 - mechanical impairments;
 - non-observance of operating conditions or faulty action of the owner;
 - incorrect installation or transportation;
 - natural hazards (lightning, fire, flooding etc.), as well as other causes beyond the control of the seller and manufacturer;
 - penetration of external objects, liquids or insects into the device;
 - repair work or structural alterations carried out by unauthorised persons;
 - use of the device for professional purposes (whereby the load exceeds the domestic application level);
 - connection of the device to power supply, telecommunication and cable-based networks incompatible with the State Technical Standards;
 - cleaning of audio heads, different media readout drives
 - breakdown of the accessories of the unit listed below, if their replacement is specified by the construction and does not require disassembly of the unit:
 - the remote control, the accumulator batteries, batteries, external power blocks and charging devices;
 - the consumable products and accessories (packing, cases, belts, bags, grids, blades, flasks, plates, supports, racks, roasting racks, hoses, tubes, brushes, attachments, dust containers, filters, odor absorbers).
 - for battery-operated devices: use of incompatible or discharged batteries, or any impairments caused by discharged or leaky batteries (we recommend to use only high-quality batteries);
 - for battery powered devices – any damages caused by battery charging and recharging rules violation.
 - for shavers: crumpled or ruptured safety mesh;
- This guarantee is provided by the manufacturer in addition to the customer's rights, stipulated by the current legislation, and does not restrict them.
- The manufacturer is not responsible for possible harm, caused directly or indirectly by «RÖNDELL» products to people, pets, consumer's property and/or other third parties in case if it has happened due to violation of rules and operating conditions, installation of the unit; intended and/or careless actions (inactions) of a consumer and/or other third parties, the effect of force majeure circumstances.

Уважаемый покупатель!
RÖNDELL благодарит Вас за Ваш выбор и гарантирует высокое качество работы
приобретенного вами прибора при соблюдении правил его эксплуатации.

Срок гарантии на все приборы – 12 месяцев со дня покупки. Данным гарантийным талоном производитель подтверждает исправность данного прибора и берет на себя обязательство по бесплатному устранению всех неисправностей, возникших по вине производителя. Гарантийный ремонт может быть произведен в любом авторизованном сервис-центре, указанном на сайте www.rondell.ru.

Условия гарантийного обслуживания:

1. Гарантия действует при соблюдении следующих условий оформления:
 - правильное и четкое заполнение оригинального гарантийного талона RÖNDELL с указанием наименования модели, ее серийного номера, даты продажи, при наличии печати фирмы-продавца и подписи представителя фирмы-продавца в гарантийном талоне, печатей на каждом отрывном купоне, подписи покупателя;
 Производитель оставляет за собой право на отказ в гарантийном обслуживании в случае непредоставления вышеуказанных документов, или если информация в них будет неполной, неразборчивой, противоречивой.
2. Гарантия действует при соблюдении следующих условий эксплуатации:
 - использование прибора в строгом соответствии с инструкцией по эксплуатации;
 - соблюдение правил и требований безопасности.
3. Гарантия не включает в себя периодическое обслуживание, чистку, установку, настройку прибора на дому у владельца, а также естественный износ прибора.
4. Случаи, на которые гарантия не распространяется:
 - механические повреждения;
 - несоблюдение условий эксплуатации или ошибочные действия владельца;
 - неправильная установка, транспортировка;
 - стихийные бедствия (молния, пожар, наводнение и т.п.), а также другие причины, находящиеся вне контроля продавца и изготовителя;
 - попадание внутрь прибора посторонних предметов, жидкостей, насекомых;
 - ремонт или внесение конструктивных изменений неуполномоченными лицами;
 - использование прибора в профессиональных целях (нагрузка превышает уровень бытового применения);
 - подключение прибора к питающим, телекоммуникационным и кабельным сетям, не соответствующим Государственным Техническим Стандартам;
 - чистка аудиоголовок, приводов для считывания информации с носителей различных типов;
 - выход из строя перечисленных ниже принадлежностей изделия, если их замена предусмотрена конструкцией и не связана с разборкой изделия:
 - а) пульты дистанционного управления, аккумуляторные батареи, элементы питания (батарейки), внешние блоки питания и зарядные устройства;
 - б) расходные материалы и аксессуары (упаковка, чехлы, ремни, сумки, сетки, ножи, колбы, тарелки, подставки, решетки, вертелы, шланги, трубки, щетки, насадки, пылесборники, фильтры, поглотители запаха).
 - для приборов, работающих от батареек, – работа с неподходящими или истощенными батарейками;
 - для приборов, работающих от аккумуляторов – любые повреждения, вызванные нарушениями правил зарядки и подзарядки аккумуляторов.
 - для бритв – смятая или порванная сетка.
5. Настоящая гарантия предоставляется изготовителем в дополнение к правам потребителя, установленным действующим законодательством, и ни в коей мере не ограничивает их.
6. Производитель не несет ответственности за возможный вред, прямо или косвенно нанесенный продукцией «RÖNDELL», людям, домашним животным, имуществу потребителя и/или иных третьих лиц в случае, если это произошло в результате несоблюдения правил и условий эксплуатации, установки изделия; умышленных и/или неосторожных действий (бездействий) потребителя и/или иных третьих лиц, действия обстоятельств непреодолимой силы.



Гарантийный талон / Guarantee card

366-

Сведения о покупке / Purchase information

Модель / Model:

Соковыжималка RDE- 1501

Серийный номер № / Serial №:

Дата покупки / Date of purchase:

Сведения о продавце / Seller information

Название и адрес продающей организации / Name and address of selling organization:

Телефон / Telephone number:

М.П.
P.S.

Подтверждаю получение исправного изделия, с условиями гарантии ознакомлен и согласен /
Here by I confirm the receipt of the guarantee terms

Подпись покупателя /
Buyer's signature

ВНИМАНИЕ! Гарантийный талон действителен только при наличии печати продающей организации /
ATTENTION! The guarantee card is valid only if stamped by the selling organization

Röndell
Professionals Recommend

Купон / Coupon №3

366-

Модель / Model:

Соковыжималка RDE-1501

Серийный номер № /
Serial №:

Дата поступления в ремонт /
Repair start date:

Дата выполнения ремонта /
Repair completion date:

Вид ремонта / Type of repair:

М.П.
P.S.

Röndell
Professionals Recommend

Купон / Coupon №2

366-

Модель / Model:

Соковыжималка RDE-1501

Серийный номер № /
Serial №:

Дата поступления в ремонт /
Repair start date:

Дата выполнения ремонта /
Repair completion date:

Вид ремонта / Type of repair:

М.П.
P.S.

Röndell
Professionals Recommend

Купон / Coupon №1

366-

Модель / Model:

Соковыжималка RDE-1501

Серийный номер № /
Serial №:

Дата поступления в ремонт /
Repair start date:

Дата выполнения ремонта /
Repair completion date:

Вид ремонта / Type of repair:

М.П.
P.S.

